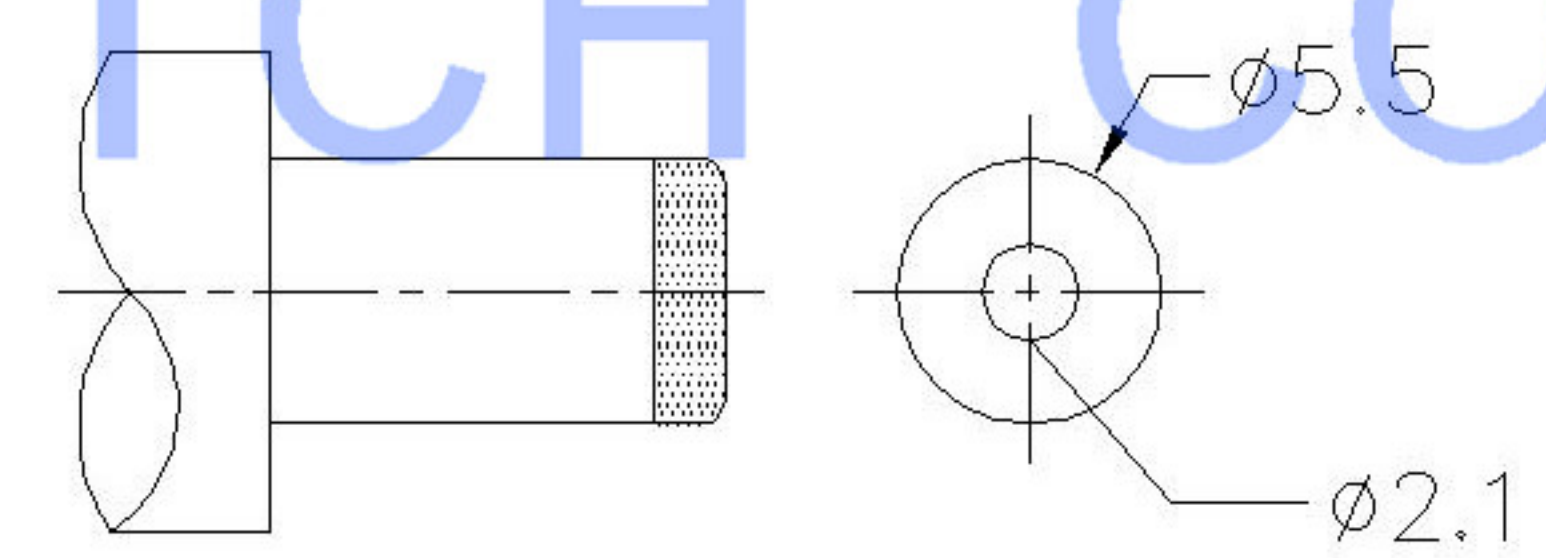


SWITCH CONNECTOR



MATING PLUG
Jack Insertion Depth: 9.0 mm

Schematic	
Model	DC-025M
Center Pin	$\phi 2.0$ mm
	$\phi 2.5$ mm

	MATERIAL	PLATING
axle sleeve	Brass	tin
plastic	Pbt	
center pin	Brass	tin
terminal 1	Brass	tin
terminal 2	Brass	tin
terminal 3	Phosphor Bronze	tin

REVISIONS					UNSPECIFIED TOLERANCES	DSND	DATE	SCALE: N/A	MODEL TYPE:
△X					ANGLAR				DC POWER JACK
△X					X.X	±5°		VIEW:	PART NO.:
△X					X.XX	±0.2mm		UNIT: mm	DWG NO.:
MARK	DESCRIPTION	DATE	REVISED	APPROVED	X.XXX	±0.1mm		SIZE: A4	DC-025M-5A-2.0
						±0.05mm			WEIGHT
									1.0g
									SHEET
									1/1
									REVISION
									A0