

# SynQor®

## MQME-270-R Reverse Polarity Protection Filter

### HIGH RELIABILITY EMI FILTER

**-400V to +400V**  
Continuous Input

**2A**  
Output Current

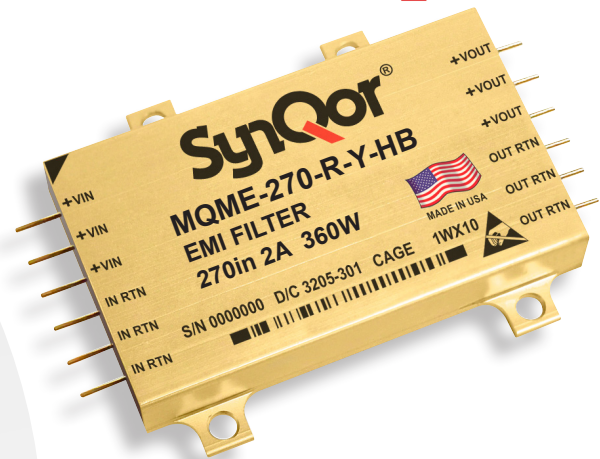
**1.6Ω @ 125°C**  
Max. DC Resistance

**>80dB @ 500kHz**  
Differential Attenuation

**FULL POWER OPERATION: -55°C to +125°C**

The MilQor® series of high-reliability EMI filters brings SynQor's field proven technology and manufacturing expertise to the Military/Aerospace industry. SynQor's innovative QorSeal® packaging approach ensures survivability in the most hostile environments. Compatible with the industry standard format, these filters have high differential-mode and common-mode attenuation, low DC resistance, and a stabilizing bulk capacitor resistor. They follow conservative component derating guidelines and they are designed and manufactured to comply with a wide range of military standards.

## MilQor®



DESIGNED & MANUFACTURED IN THE USA  
FEATURING QORSEAL® HI-REL ASSEMBLY

#### Design Process

MQME series filters are:

- Designed for reliability per NAVSO-P3641-A guidelines
- Designed with components derated per:
  - MIL-HDBK-1547A
  - NAVSO P-3641A

#### Qualification Process

MQME series filters are qualified to:

- MIL-STD-810F
  - consistent with RTCA/DO-160E/F/G
- SynQor's First Article Qualification
  - consistent with MIL-STD-883F
- SynQor's Long-Term Storage Survivability Qualification
- SynQor's on-going life test

#### In-Line Manufacturing Process

- AS9100 and ISO 9001 certified facility
- Full component traceability
- Temperature cycling
- Constant acceleration
- 24, 96, 160 hour burn-in
- Three level temperature screening

#### Features

- 2A output current
- Reverse polarity protection
- Very low DC resistance
- > 80 dB differential-mode attenuation at 500kHz
- > 60 dB common-mode attenuation at 500kHz
- Stabilizing bulk capacitor and damping resistor included
- All capacitors are X7R multi-layer ceramic
- Designed to meet all MIL-STD 461 EMI and
- most RTCA/DO-160E/F/G Section 22 lightning requirements

#### Specification Compliance

MQME series filters (with MQFL converters) are designed to meet:

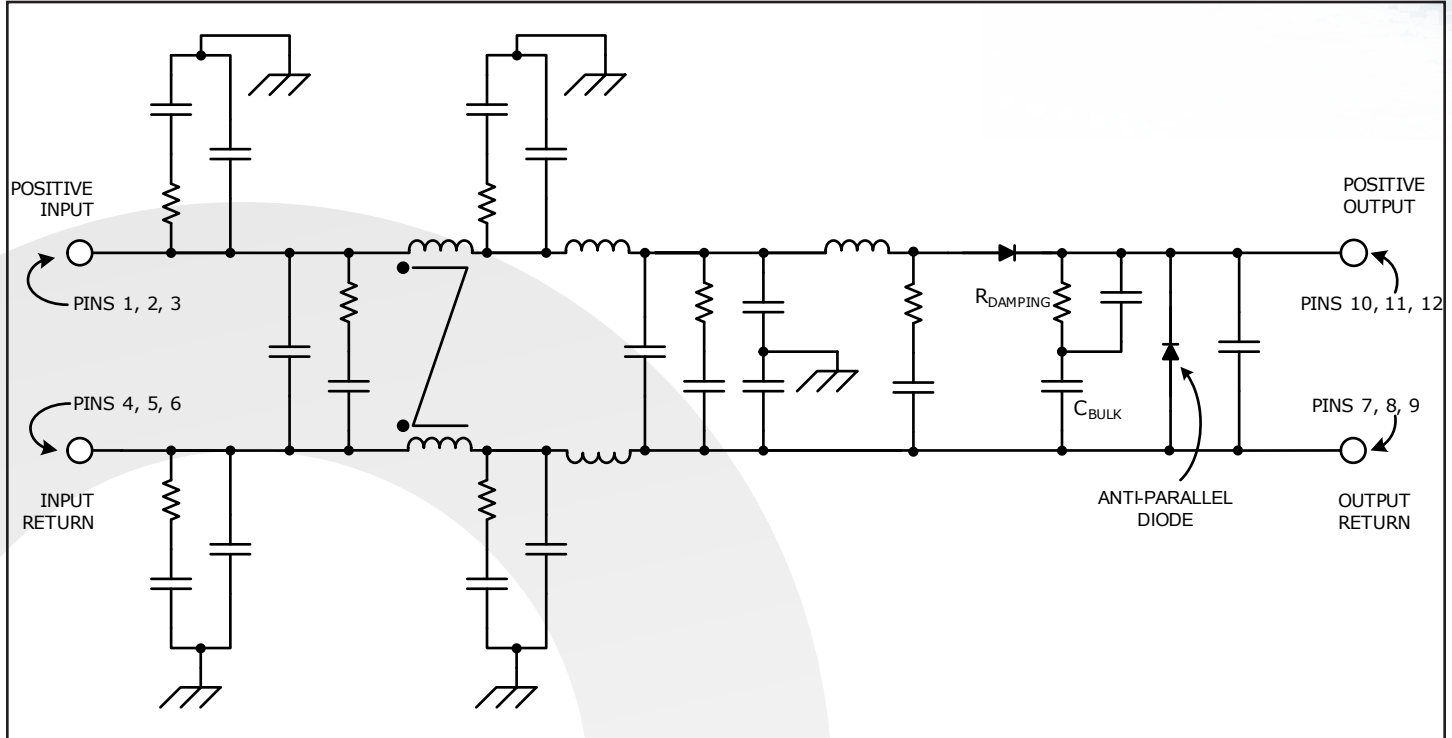
- MIL-HDBK-704-7 (A through F)
- RTCA/DO-160E/F/G Section 16
- MIL-STD-1275B/D
- DEF-STAN 61-5 (part 6)/5
- MIL-STD-461 (C, D, E, F)
- RTCA/DO-160E/F/G Section 22



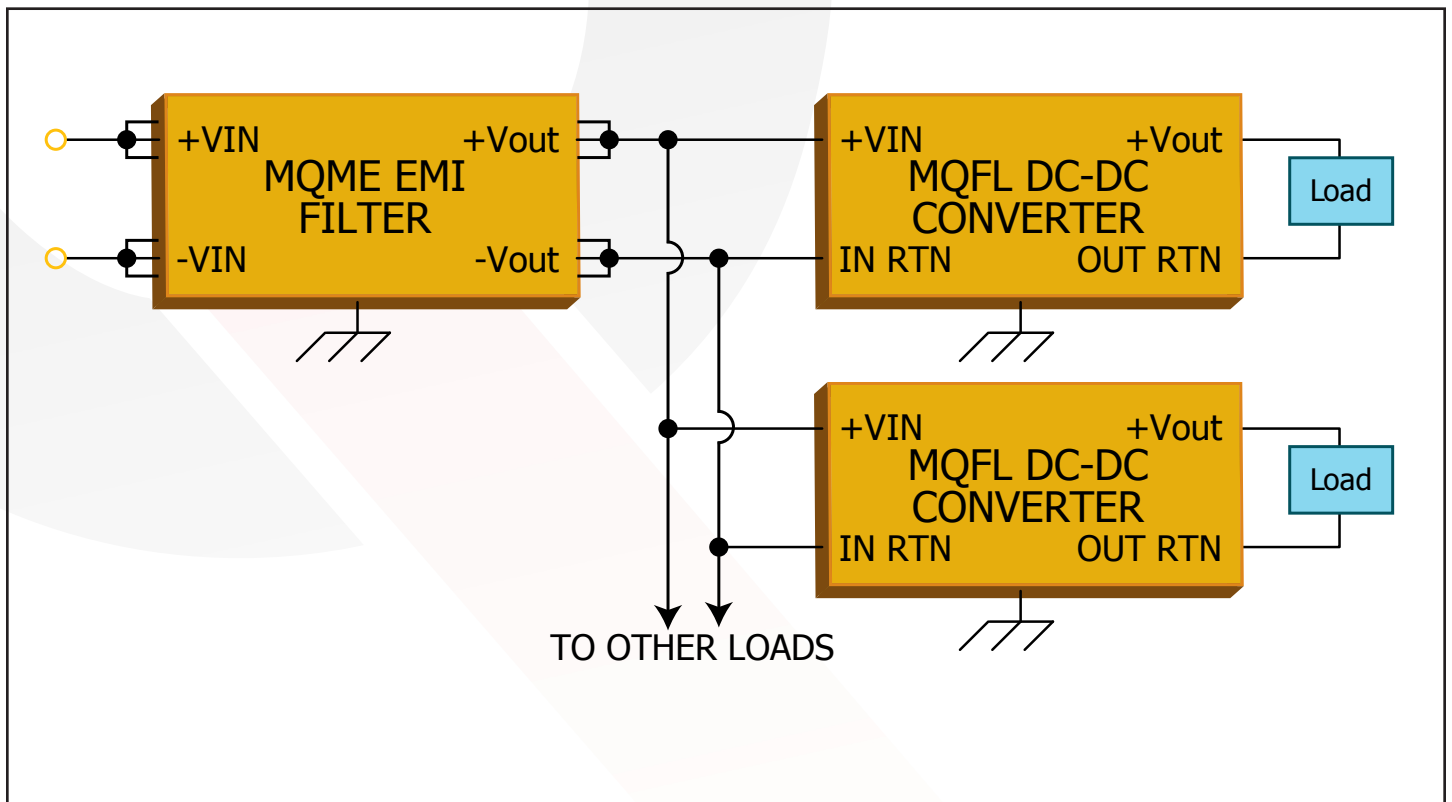
**MQME-270-R**  
**Current: 2A**

# Technical Specification

## BLOCK DIAGRAM



## TYPICAL CONNECTION DIAGRAM



# Technical Specification

## MQME-270-R Electrical Characteristics

Parameter	Min.	Typ.	Max.	Units	Notes & Conditions	Group A Subgroup <sup>3</sup>
Specifications subject to change without notice						
<b>ABSOLUTE MAXIMUM RATINGS</b>						
Input Voltage					See Note 1	
Continuous	-800		800	V		
Transient ( $\leq 1$ s)	-1000		1000	V		
Isolation Voltage (I/O to case, I to O)						
Continuous	-500		500	V		
Transient ( $\leq 1$ s)	-1000		1000	V		
Output Current			3	A		
Operating Case Temperature	-55		125	°C	HB grade Products, See Note 6	
Storage Case Temperature	-65		135	°C		
Lead Temperature (20 s)			300	°C		
<b>ELECTRICAL CHARACTERISTICS</b>						
Input Voltage						
Continuous	-400		400	V	See Note 1 for negative limits	1, 2, 3
Transient ( $\leq 1$ s, $R_s^* = 0 \Omega$ )	-500		500	V	"	
Transient ( $\leq 100$ ms, $R_s^* = 0 \Omega$ )	-1000		1000	V	See Note 1	
Output Voltage (continuous)	$V_{out} = V_{in} - (I_{in} \times R_{dc}) - V_d$			V		1, 2, 3
Output Current (continuous)			2	A		1, 2, 3
Power (continuous)			320	W	See Note 5	
DC Resistance ( $R_{dc}$ )						
TCASE = 25°C			1.3	$\Omega$		1
TCASE = 125°C			1.6	$\Omega$		3
Rectifier Drop ( $V_d$ )		0.8		V		
Power Dissipation (2A output current)						
TCASE = 25°C			6.5	W		1
TCASE = 125°C			7.5	W		3
Anti-Parallel Diode						
Forward Current						
Continuous			0.2	A		1, 2, 3
Transient ( $\leq 8$ ms)			2	A		
Forward Voltage (@ 0.1 A)	0.4		1	V		1, 2, 3
Total Differential-Mode Capacitance		1		$\mu F$	Measured across input or output pins	
Total Common-Mode Capacitance		0.44		$\mu F$	Measured between any pin to case	
Bulk Capacitor		0.6		$\mu F$		
Damping Resistor		10		$\Omega$		
Noise Attenuation					See Figure 1	
<b>INPUT VOLTAGE SPIKE SUPPRESSION</b>						
Output Voltage Deviation due to a Spike					See Note 2	
Input Voltage Spike (Centered on $V_{in}$ )						
$\pm 200V$ , $10\mu s$ , $R_s \leq 0.5\Omega$ , $ Q  \leq 250\mu C$	-50		150	$\Delta V$	MIL-STD-461C (CS06). See Note 4	
$\pm 400V$ , $5\mu s$ , $R_s \leq 0.5\Omega$ , $ Q  \leq 250\mu C$	-50		150	$\Delta V$	MIL-STD-461C (CS06). See Note 4	
$\pm 600V$ , $10\mu s$ , $R_s = 50\Omega$	-50		150	$\Delta V$	RTCA/DO-160E	

\*  $R_s$  = Source Impedance



**MQME-270-R**  
**Current: 2A**

# Technical Specification

## MQME-270-R Electrical Characteristics (Continued)

Parameter	Min.	Typ.	Max.	Units	Notes & Conditions	Group A Subgroup <sup>3</sup>
Specifications subject to change without notice						
<b>ISOLATION CHARACTERISTICS</b>						
Isolation Voltage (any pin to case)					Vin=270V DC ±5%, P= 320W unless otherwise specified	
Continuous	-500		500	V		1
Transient (≤ 100 μs)	-800		800	V		
Isolation Resistance (any pin to case)	100			MΩ		1
<b>RELIABILITY CHARACTERISTICS</b>						
Calculated MTBF (MIL-STD-217F2)						
GB @ Tcase = 70°C		17.5		10 <sup>6</sup> Hrs.		
AIF @ Tcase = 70°C		887		10 <sup>3</sup> Hrs.		
<b>WEIGHT CHARACTERISTICS</b>						
Device Weight		79		g		

### Electrical Characteristics Notes

1. While the filter will survive these input voltage limits, the filter's output voltage will be outside the limits for an MQFL converter input voltage range.
2. Verified by qualification testing and analysis.
3. Only the ES and HB grade products are tested at three temperatures. The C grade products are tested at one temperature. Please refer to the Construction and Environmental Stress Screening Options table for details.
4. With an external 2uF capacitor in series with a 5ohm resistor connected across the output of the MQME filter module.
5. Product of input current and output voltage must be less than 320W
6. The specified operating case temperature for ES grade products is -45°C to 100°C. The specified operating case temperature for C grade products is 0°C to 70°C.

\* Rs = Source Impedance

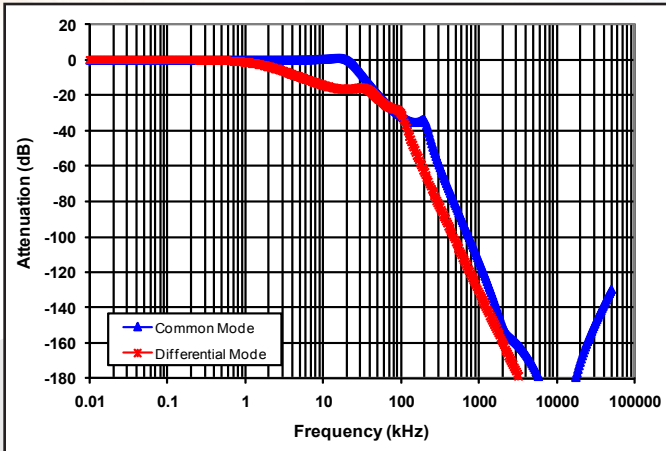


Figure 1: Typical Common Mode and Differential Mode Attenuation provided by the filter as a function of frequency. Both input lines are connected to chassis ground through 50Ω resistors. The filter case is also connected to chassis ground.

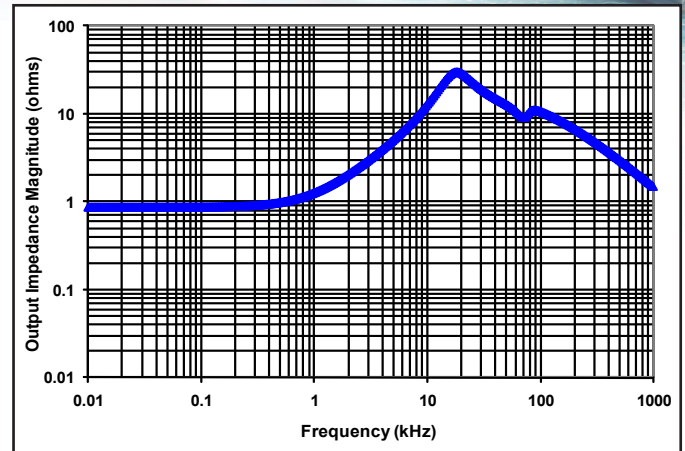


Figure 2: Typical Output Impedance (magnitude) of the filter looking back into its output pins with the input pins connected to a source with zero source impedance.

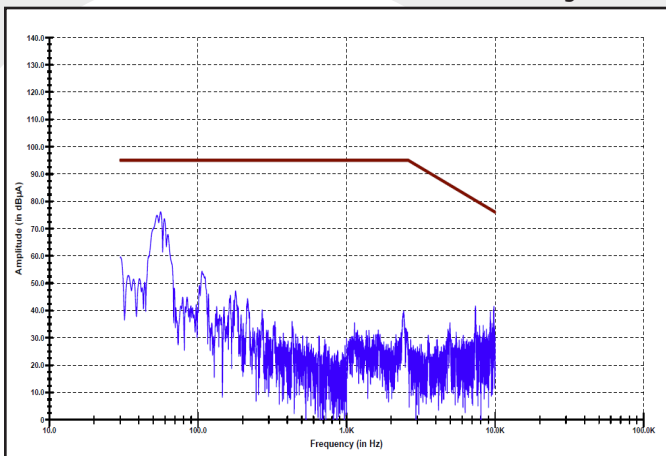


Figure 3: MIL-STD-461E Method CE101 Low Frequency Conducted Emissions. Limit line (in brown) is the 'Submarine Applications DC Curve'. Setup described on Page 6.

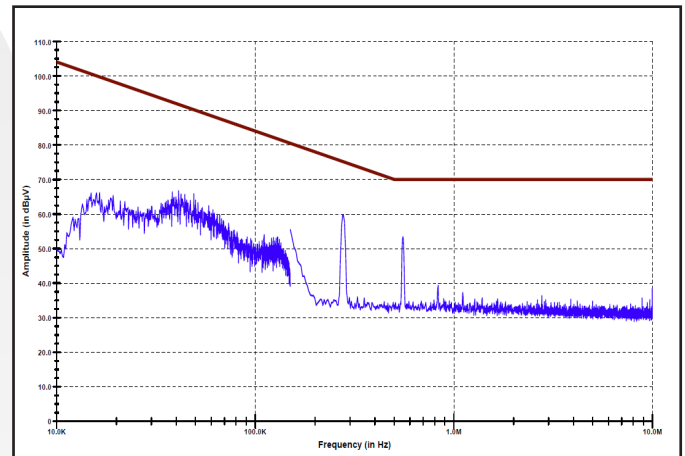


Figure 4: MIL-STD-461E Method CE102 High Frequency Conducted Emissions. Limit line (in brown) is the 'Basic Curve'. Setup described on Page 6.

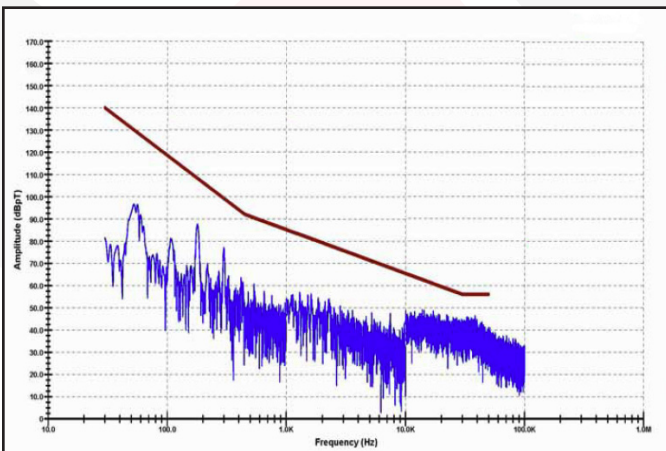


Figure 5: MIL-STD-461E Method RE101 Low Frequency Radiated Emissions. Limit line (in brown) is the 'Standard Curve' from MIL-STD-461C Method RE01, which is more strict than all RE101 limits. Setup described on Page 6.

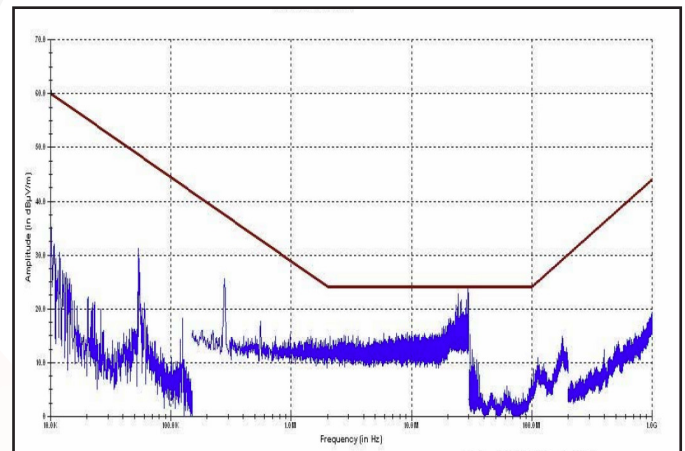


Figure 6: MIL-STD-461E Method RE102 High Frequency Radiated Emissions. Limit line (in brown) is the 'Submarine External to Pressure Hull Curve'. Setup described on Page 6.



# SynQor<sup>®</sup>

## Technical Specification

**MQME-270-R**  
**Current: 2A**

### BASIC OPERATION AND FEATURES

The MQME-270-R is a multi-stage differential-mode and common-mode passive EMI filter designed to interface a power source with one or more SynQor DC/DC converters (or other loads that create EMI). Each stage of this filter is well damped to avoid resonances and oscillations, and only X7R multi-layer ceramic capacitors are used. Figure 1 shows the typical differential and common-mode attenuation provided by this filter when the source impedance is 50W to chassis ground on each input line.

The MQME-270-R EMI filter includes a large bulk capacitor (also X7R) with a series damping resistor to correct for the unstabilizing effect of a converter's negative input resistance. A white paper discussing this negative input resistance and the need for corrective damping can be found on the SynQor website (see Input System Instability application note). Figure 2 shows the magnitude of the filter's output impedance when the filter input is connected to a stiff voltage source.

When used with SynQor's DC/DC converters, the MQME-270-R EMI filter is designed to pass all of the relevant MIL-STD-461C/D/E/F requirements to their most stringent limits. The MIL-STD-461 Compliance Matrix Table lists these requirements and describes the setup used to pass them. Figures 3 - 6 show results from selected conductive and radiated emissions tests.

The filter is also designed to pass the waveform types and applications specified in RTCA/DO-160E/F/G Section 22 (Lightning Induced Transient Susceptibility) to Level 4 (some waveforms / applications require external transient suppression circuitry). The Section 22 Compliance Matrix Table lists these waveforms and applications and describes the setup used to pass them.

A typical application would place the MQME filter close to the input of the DC/DC converter, with the cases of the filter and the converter connected together through a ground plane. Both cases are electrically conductive, so connection to the cases can be made with the fasteners used to secure the device.

Do not connect the outputs of multiple MQME-270-R filters in parallel. Connecting filters in this manner may result in slightly unequal currents to flow in the positive and return paths of each filter. These unequal currents may cause the internal common-mode chokes to saturate and thus cause degraded common-mode rejection performance.

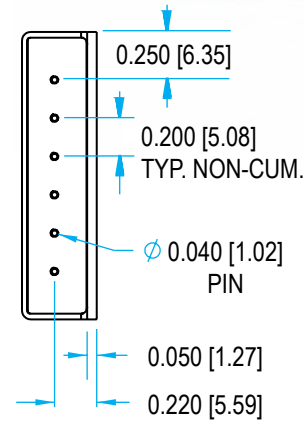
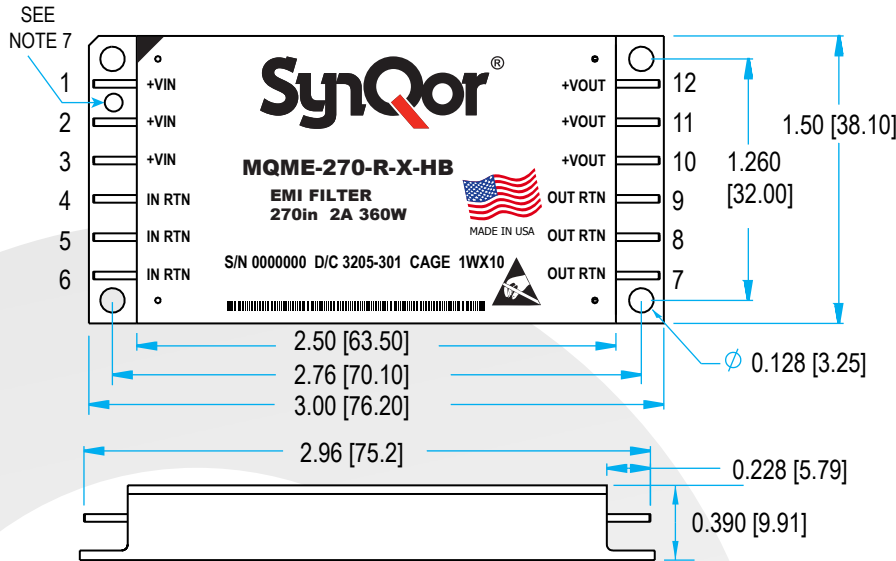
**REVERSE POLARITY PROTECTION:** The MQME-270-R EMI filter has a series-connected diode. This diode blocks reverse current flow if the filter's input voltage is mistakenly connected with the wrong polarity. The anti-parallel diode, working with the reverse polarity diode, ensures that the filter's output voltage goes only slightly negative during this time, and therefore satisfying the minimum input voltage specifications of SynQor's MQFL converters.

The reverse polarity diode also preforms a useful function during negative polarity spikes and surges, and during brief power interrupts. Since it stops current from flowing negatively through the EMI filter back toward the source, the diode allows the total bulk capacitor (located both within and external to the filter) to better hold up the output voltage during these transients.

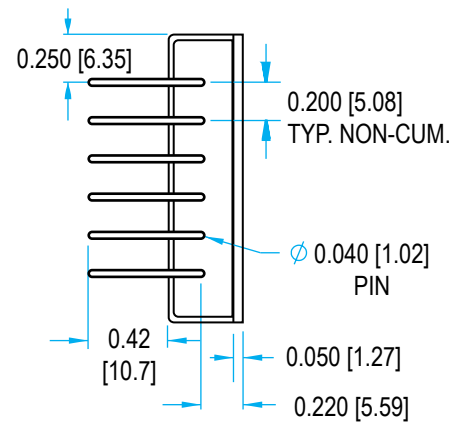
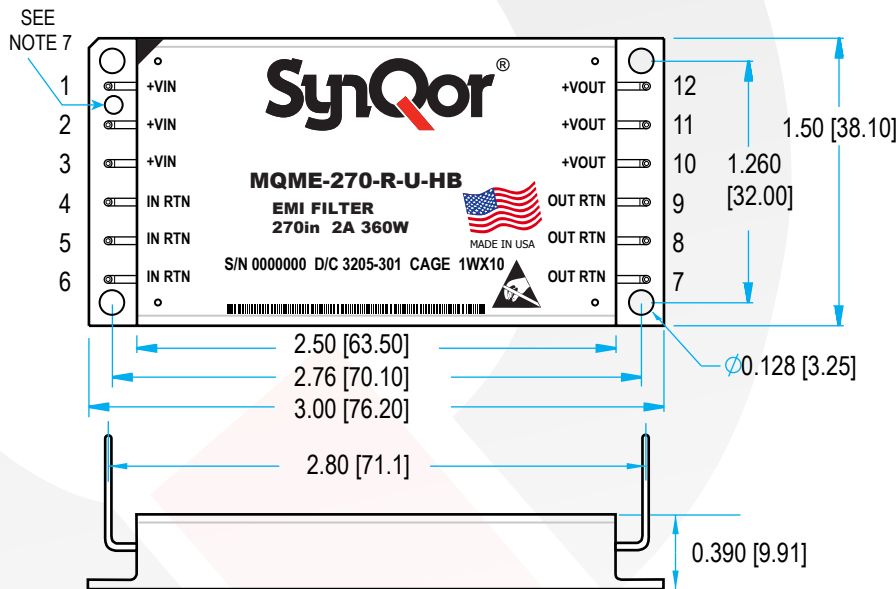


**MQME-270-R**  
**Current: 2A**

# Technical Specification



**Case X**



**Case U**

## NOTES

- 1) Pins 0.040" (1.02 mm) diameter
- 2) Pins Material: Copper Alloy  
Finish: Gold over Nickel plating, followed by Sn/Pb solder dip
- 3) All dimensions in inches (mm) Tolerances: x.xx +/-0.02 in. (x.x +/-0.5 mm)  
x.xxx +/-0.010 in. (x.xx +/-0.25 mm)
- 4) Weight: 2.8 oz (78.5 g) typical
- 5) Workmanship: Meets or exceeds IPC-A-610C Class III
- 6) Print Labeling on Top Surface per Product Label Format Drawing
- 7) Pin 1 identification hole, not intended for mounting (case X and U)

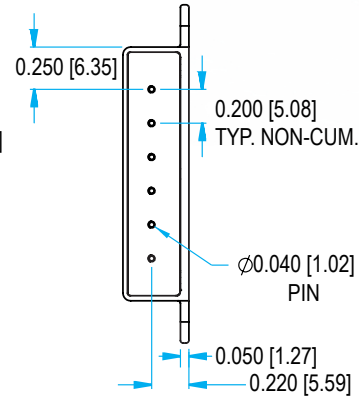
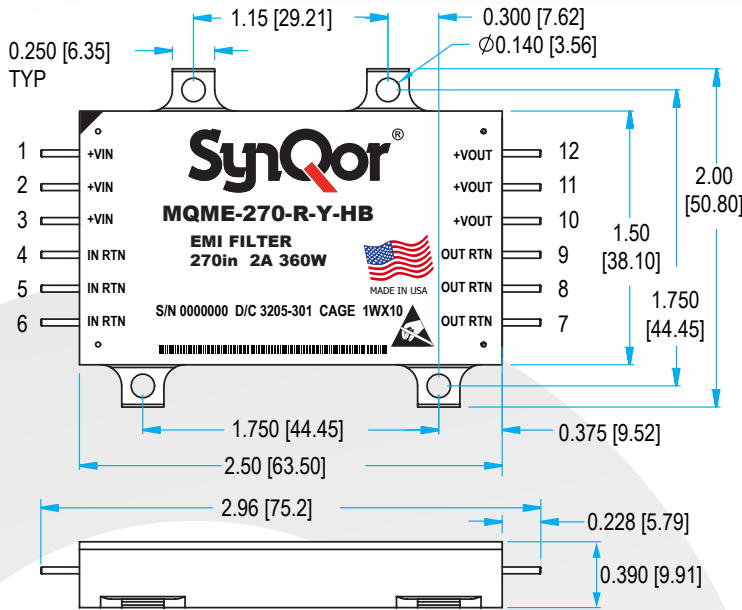
## PIN DESIGNATIONS

Pin #	Function	Pin #	Function
1	Positive input	7	Output Return
2	Positive input	8	Output Return
3	Positive input	9	Output Return
4	Input return	10	Positive output
5	Input return	11	Positive output
6	Input return	12	Positive output

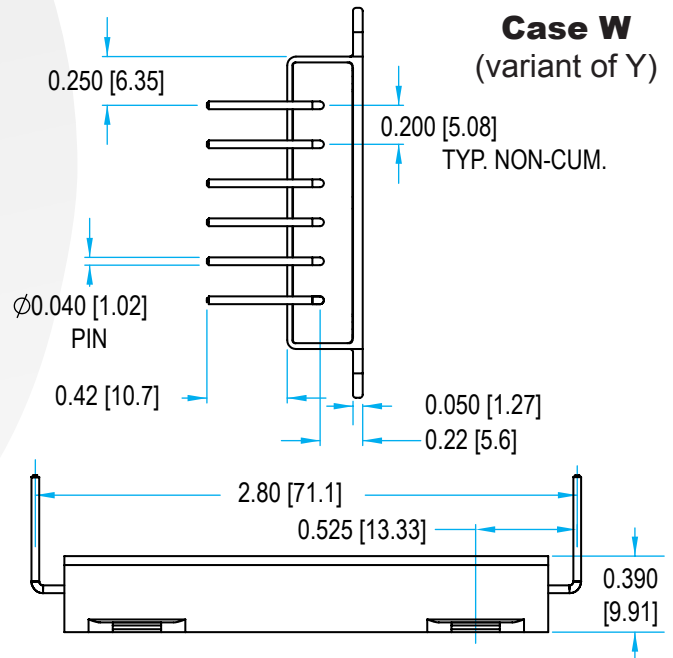
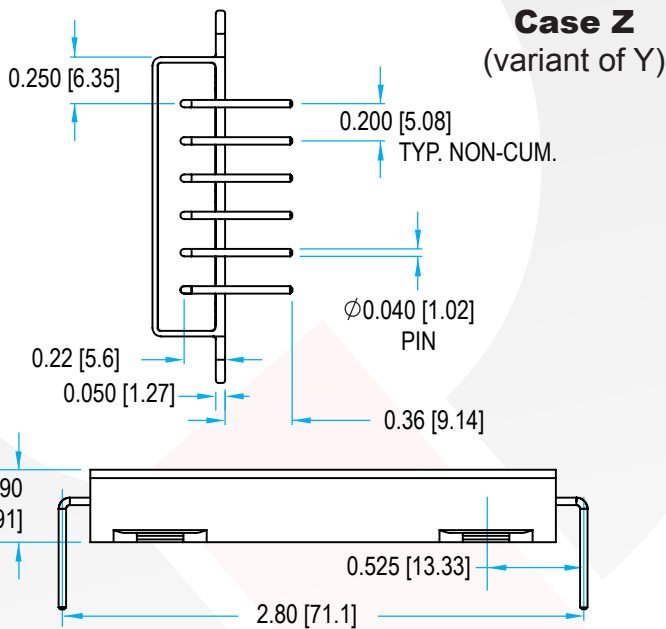


**MQME-270-R**  
**Current: 2A**

**Technical Specification**



**Case Y**



**NOTES**

- 1) Pins 0.040" (1.02 mm) diameter
- 2) Pins Material: Copper Alloy  
Finish: Gold over Nickel plating, followed by Sn/Pb solder dip
- 3) All dimensions in inches (mm) Tolerances: x.xx +/-0.02 in. (x.x +/-0.5 mm)  
x.xxx +/-0.010 in. (x.xx +/-0.25 mm)
- 4) Weight: 2.8 oz (78.5 g) typical
- 5) Workmanship: Meets or exceeds IPC-A-610C Class III
- 6) Print Labeling on Top Surface per Product Label Format Drawing
- 7) Pin 1 identification hole, not intended for mounting (case X and U)

**PIN DESIGNATIONS**

Pin #	Function	Pin #	Function
1	Positive input	7	Output Return
2	Positive input	8	Output Return
3	Positive input	9	Output Return
4	Input return	10	Positive output
5	Input return	11	Positive output
6	Input return	12	Positive output





# SynQor<sup>®</sup>

## Technical Specification

**MQME-270-R**  
**Current: 2A**

### Lightning Induced Transient Susceptibility

#### RTCA/DO-160E/F/G Section 22 Compliance Matrix

This table shows the RTCA/DO-160 Section 22 requirements/limits that will be met\* by a stand-alone setup comprised of:

- MQME-270-P Filter
- MQFL-270-05S Converter
- 120W Resistive load
- Metal Chassis Plane

RTCA/DO-160E/F/G	RTCA/DO-160E/F/G Section 22		
	Waveform	Maximum Level Passed	Test Conditions
<b>Pin Injection</b>	3	4	Signal applied to +Vin pin. Input Return pin connected to system ground
	4	4†	
	5a	4†	
<b>Single- and Multiple-Stroke Cable Induction</b>	2	4**	Signal applied to unshielded power cable bundle
	3	4	
<b>Single- and Multiple-Stroke Ground Injection</b>	4	4	Signal applied between metal ground plane and system ground
	5	4	
<b>Multiple-Burst Cable Induction</b>	3	4	Signal applied to unshielded power cable bundle

\* Requirement is deemed to have been met as long as transient deviations in the converter's output voltage remain within  $\pm 10\%$  of its initial value.

† For these waveforms at Level 3 and above, an external transient suppressor of sufficient energy rating must be placed across the filter's input pins to keep the differential transient input voltage below +200V/-50V. Negative polarity waveforms may cause power flow to the converter to be interrupted long enough to cause a graceful shutdown and restart of the converter. Also, the reverse voltage protection feature of the -T filter is required to protect the converter (but not the filter) from negative polarity waveform.

\*\* For this waveform at a Level 4 and above, external transient suppressors of sufficient energy rating must be added between the filter's input power pins and its case to keep the common-mode transient input voltage below +800V.

Met by any MQME Filter	Met by a MQME Filter having external Transient Suppression
------------------------	--



**MQME-270-R**  
**Current: 2A**

# Technical Specification

## EMI

### Military Standard 461 Compliance Matrix

This table shows the MIL-STD-461 requirements/limits that will be met\* by the stand-alone setups indicated below:

- MQME-270-P Filter
- MQFL-270-05S Converter
- 120W Resistive load
- Metal Chassis Plane

Mil-Std-461	MIL-STD-461C		Mil-Std-461	MIL-STD-461D/E/F	
	Requirement	Most Stringent Limit Listed		Requirement	Most Stringent Limit Listed
Conducted Emissions	CE01 CE03 CE07	Class A5 (Submarine) Class A5 (Submarine)‡ Class A1 (Aircraft)	Conducted Emissions	CE101 CE102	Submarine Basic Curve
Conducted Susceptibility	CS01	Class A5 (Submarine)	Conducted Susceptibility	CS101	Curve #2
	CS02	Class A5 (Submarine)		CS106	(461F Only)
	CS06	Class A1/A5 (Aircraft/Sub)		CS114	Curve #5
	CS10	Class A5 (Submarine)		CS115	Basic Waveform
Radiated Emissions	RE01 RE02†	Class A5 (Submarine) Class A5 (Submarine)	Radiated Emissions	CS116	Imax = 10A
				RE101	Navy
Radiated Susceptibility	RS01 RS02 RS03	Class A5 (Submarine) Class A1/A5 (Aircraft/Sub) Class A4 (Surface Ship)	Radiated Susceptibility	RE102†	Submarine Fixed Wing Internal, >25 meters Nose to Tail
				RS101 RS103	Army Aircraft External

\* Susceptibility requirements/limits are considered to be met as long as transient deviations in the converter's output voltage remain within ±10% of its initial value.

† Met with metal screen shield covering the filter, converter, and resistive load.

‡ In almost every case the limit listed is the most stringent of the requirements. The one exception is CE03 - High Frequency Broadband Conducted Emissions, Converter with Passive Filter. In this case the filter and converter passed the A1 limit. The filter and converter pass the CE03 - Narrowband Conducted Emissions at the A5 limit level.

Met by any MQME Filter	Met by a MQME filter having an external 2µF capacitor in series with a 5Ω resistor connected across the output of a MQME filter module
------------------------	--



# SynQor<sup>®</sup>

## Technical Specification

**MQME-270-R**  
**Current: 2A**

### CONSTRUCTION AND ENVIRONMENTAL STRESS SCREENING OPTIONS

Screening	Consistent with MIL-STD-883F	C-Grade (specified from 0 °C to +70 °C)	ES-Grade (specified from -45 °C to +100 °C)	HB-Grade (specified from -55 °C to +125 °C)
Element Evaluation		No	Yes	Yes
Internal Visual	IPC-A-610 Class 3	Yes	Yes	Yes
Temperature Cycle	Method 1010	No	Condition B (-55 °C to +125 °C)	Condition C (-65 °C to +150 °C)
Constant Acceleration	Method 2001 (Y1 Direction)	No	500 g	Condition A (5000 g)
Burn-in	Method 1015	24 Hrs @ +125 °C	96 Hrs @ +125 °C	160 Hrs @ +125 °C
Final Electrical Test	Method 5005 (Group A)	+25 °C	-45, +25, +100 °C	-55, +25, +125 °C
Mechanical Seal, Thermal, and Coating Process			Full QorSeal	Full QorSeal
External Visual	Method 2009	Yes	Yes	Yes
Construction Process			QorSeal	QorSeal

MilQor<sup>®</sup> Hi-Rel converters and filters are offered in three variations of environmental stress screening options. All ES-Grade and HB-Grade MilQor Hi-Rel converters use SynQor's proprietary QorSeal<sup>®</sup> Hi-Rel assembly process that includes a Parylene-C coating of the circuit, a high performance thermal compound filler, and a nickel barrier gold plated aluminum case. Each successively higher grade has more stringent mechanical and electrical testing, as well as a longer burn-in cycle. The ES- and HB-Grades are also constructed of components that have been procured through an element evaluation process that pre-qualifies each new batch of devices.



# SynQor®

## Technical Specification

**MQME-270-R**  
**Current: 2A**

### MIL-STD-810F Qualification Testing

MIL-STD-810F Test	Method	Description
Fungus	508.5	Table 508.5-I
Altitude	500.4 - Procedure I	Storage: 70,000 ft / 2 hr duration
	500.4 - Procedure II	Operating: 70,000 ft / 2 hr duration; Ambient Temperature
Rapid Decompression	500.4 - Procedure III	Storage: 8,000 ft to 40,000 ft
Acceleration	513.5 - Procedure II	Operating: 15 g
Salt Fog	509.4	Storage
High Temperature	501.4 - Procedure I	Storage: 135 °C / 3 hrs
	501.4 - Procedure II	Operating: 100 °C / 3 hrs
Low Temperature	502.4 - Procedure I	Storage: -65 °C / 4 hrs
	502.4 - Procedure II	Operating: -55 °C / 3 hrs
Temperature Shock	503.4 - Procedure I - C	Storage: -65 °C to 135 °C; 12 cycles
Rain	506.4 - Procedure I	Wind Blown Rain
Immersion	512.4 - Procedure I	Non-Operating
Humidity	507.4 - Procedure II	Aggravated cycle @ 95% RH (Figure 507.5-7 aggravated temp - humidity cycle, 15 cycles)
Random Vibration	514.5 - Procedure I	10 - 2000 Hz, PSD level of 1.5 g <sup>2</sup> /Hz (54.6 g <sub>rms</sub> ), duration = 1 hr/axis
Shock	516.5 - Procedure I	20 g peak, 11 ms, Functional Shock (Operating no load) (saw tooth)
	516.5 - Procedure VI	Bench Handling Shock
Sinusoidal vibration	514.5 - Category 14	Rotary wing aircraft - helicopter, 4 hrs/axis, 20 g (sine sweep from 10 - 500 Hz)
Sand and Dust	510.4 - Procedure I	Blowing Dust
	510.4 - Procedure II	Blowing Sand



# SynQor<sup>®</sup>

## Technical Specification

**MQME-270-R**  
**Current: 2A**

### First Article Testing consistent with MIL-STD-883F

MIL-STD-883F Test	Method	Description
Electrical Tests	5005	
Physical Dimensions test	2016	
Resistance to Solvents test	2015.13	
Solderability test	2003.8	
Lead Integrity test	2004.5	
Salt Atmosphere test	1009.8	Condition "A"
Adhesion of Lead Finish test	2025.4	
Altitude Operation test	1001	Condition "C"
ESD Sensitivity	3015.7	Class 2
Stabilization Bake test	1008.2	Condition "C"
Vibration Fatigue test	2005.2	Condition "A"
Random Vibration test	2026	Condition "II K"
<b>Sequential Test Group #1</b>		
Life Test – Steady State test	1005.8	
Life Test – Intermittent Duty test	1006	
<b>Sequential Test Group #2</b>		
Temperature Cycle test	1010.8	Condition "C"
Constant Acceleration test	2001.2	Condition "A"
<b>Sequential Test Group #3</b>		
Thermal Shock test	1011.9	Condition "B"
Temperature Cycle test	1010.8	Condition "C"
Moisture Resistance test	1004.7	With Sub cycle
<b>Sequential Test Group #4</b>		
Mechanical Shock test	2002.4	Condition "B"
Variable Frequency Vibration test	2007.3	Condition "A"



# Technical Specification

## MilQor Filter Family Matrix

The tables below show the array of MilQor filters available. When ordering SynQor converters, please ensure that you use the complete part number according to the table in the last page. Contact the factory for other requirements.

Product Family Designator	Continuous Input Voltage	Power (Amperage) Rating	Version (see table below)	Features Available (In Addition to Passive Filter Components)			
				Enable Pass-Through Circuitry	Transient Suppression Circuitry	Soft-Start Circuitry	Reverse Polarity Protection Circuitry
MQME-28	40V	320W (20A)	P				
MQME-28E	70V		T	•	•	•	•
			T6	•	•	•	•
MQHE-28	40V	160W (10A)	P				
MQHE-28E	70V						
MQHE-270	400V	160W (1A)	P				
MQME-270	400V	320W (2A)	P				
			R				•
MQME-270L	400V	200W (3A)	P				
			R				•



# Technical Specification

## PART NUMBERING SYSTEM

The part numbering system for SynQor's *MilQor* DC-DC converters follows the format shown in the table below.

Model Name	Input Voltage Range	Version	Package Outline/Pin Configuration	Screening Grade
MQME MQHE	28 28E	P T T6	U X Y W Z	C ES HB
	270 270L	P R		

Not all combinations make valid part numbers, please contact SynQor for availability. See the Product Summary web page for more options.

**Example: MQME-270-R-Y-ES**

## APPLICATION NOTES

A variety of application notes and technical white papers can be downloaded in pdf format from the SynQor website.

## PATENTS

SynQor holds numerous U.S. patents, one or more of which apply to most of its power conversion products. Any that apply to the product(s) listed in this document are identified by markings on the product(s) or on internal components of the product(s) in accordance with U.S. patent laws. SynQor's patents include the following:

5,999,417	6,222,742	6,545,890	6,594,159	6,894,468	6,896,526
6,927,987	7,050,309	7,072,190	7,085,146	7,119,524	7,269,034
7,272,021	7,272,023	7,558,083	7,564,702	7,765,687	7,787,261
8,023,290	8,149,597	8,493,751	8,644,027	9,143,042	

## Contact SynQor for further information and to order:

**Phone:** 978-849-0600  
**Toll Free:** 888-567-9596  
**Fax:** 978-849-0602  
**E-mail:** [mqnbofae@synqor.com](mailto:mqnbofae@synqor.com)  
**Web:** [www.synqor.com](http://www.synqor.com)  
**Address:** 155 Swanson Road  
 Boxborough, MA 01719  
 USA

## Warranty

SynQor offers a two (2) year limited warranty. Complete warranty information is listed on our website or is available upon request from SynQor.