



MME-04-20-MM

Magnetic mount bracket with cable and SMA F connector

Part #: 105-00013-01



Mechanical Specifications

Parameter	Specification
Antenna Dimensions	Ø 54 x 24 mm
Cable type	D302 cable

Features

- Gasket suitable for magnetic surface
- Suitable for various connector mount antenna
- Equipped with D302 cable
- Possible frequency transfer up to 6 GHz
- Robust construction
- Strong magnet for metal surface
- Mounting hole 19 mm/square 15x15 mm



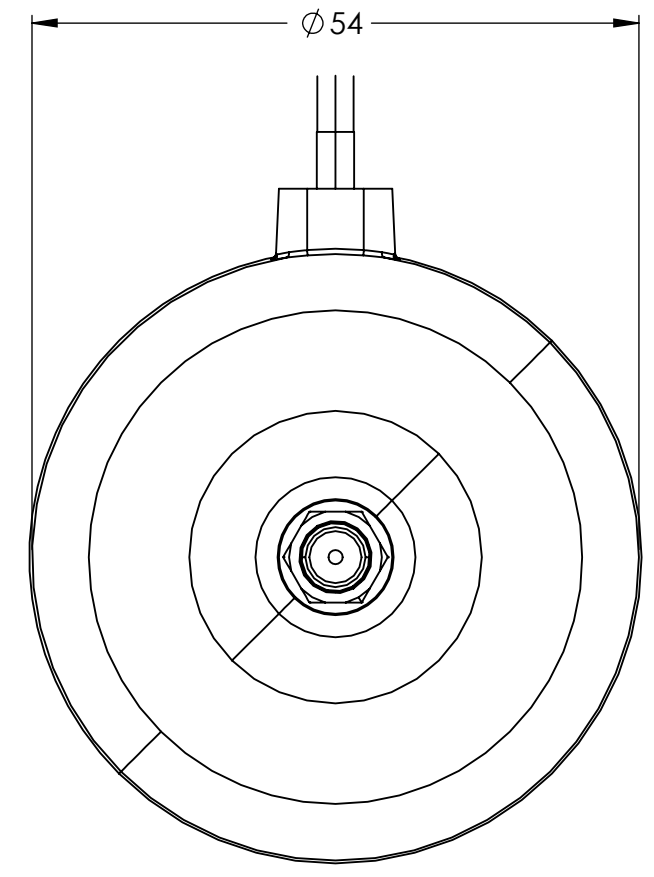
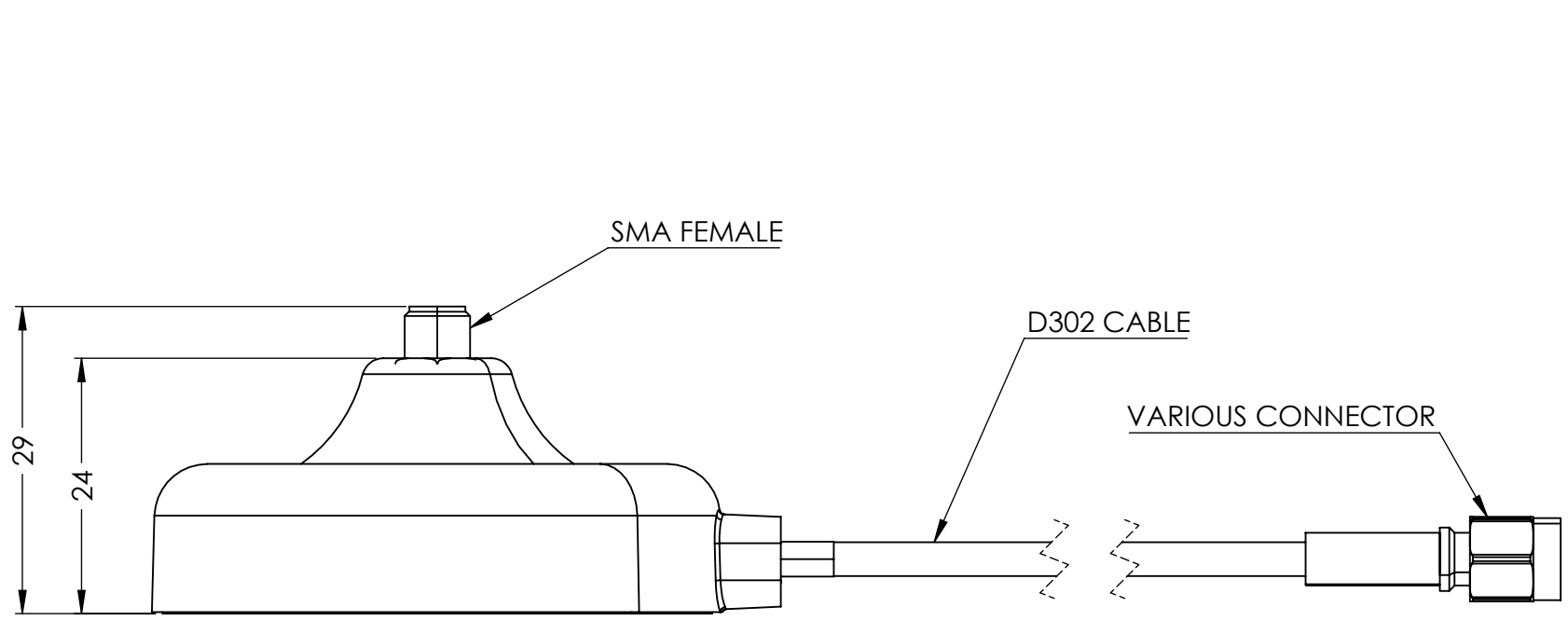
Applications

- Magnet mount
- Fits a variety of antennas types

DRAWING REVISION HISTORY			
REV	DESCRIPTION	DATE	BY
A	INITIAL RELEASE	2021-06-10	SZ

NOTES:

- GASKET SUITABLE FOR MAGNETIC SURFACE
- SUITABLE FOR VARIOUS CONNECTOR MOUNT ANTENNA
- EQUIPPED WITH D302 CABLE



ITEM 105-00013 REVISION HISTORY			
REV	DESCRIPTION	DATE	BY
1	INITIAL RELEASE	2021-06-10	SZ

105-00013 CONFIGURATION TABLE		
DASH NO	CABLE LENGTH	CONNECTOR TYPE
-01	2m	SMA MALE GOLD

UNLESS OTHERWISE SPECIFIED:
 DIMENSIONS ARE IN MM
 TOLERANCES:
 FRACTIONAL: ±
 ANGULAR: MACH ± .5° BEND ±
 ONE PLACE DECIMAL ± 1.0
 TWO PLACE DECIMAL ± 0.50

INTERPRET GEOMETRIC TOLERANCING PER:

THIRD ANGLE PROJECTION
DO NOT SCALE DRAWING

	NAME	DATE
DRAWN	SZ	2021-06-10
CHECKED	ZX	2021-06-10
ENG APPR.	NPC	2021-06-10
MFG APPR.		
	Q.A.	

CAD MAINTAINED. CHANGES SHALL BE INCORPORATED BY THE DESIGN ACTIVITY.

MAXTENA, INC

TITLE:
105-00013
MMB-04-20-MM

SIZE B	DWG. NO. 117-00454-01	REV A
------------------	---------------------------------	-----------------

CAGE CODE: 5KQH7 SCALE: NONE SHEET 1 OF 1