

21 Series

RoHS Compliant

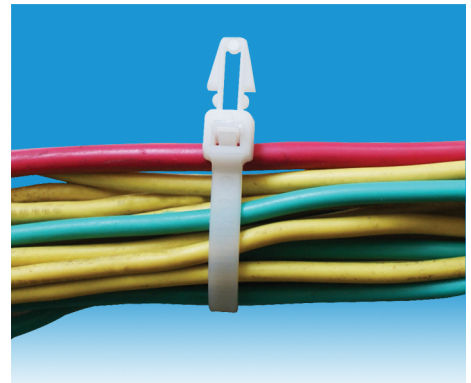
NYLON 6.6

GENERAL PURPOSE

MATERIAL OPERATING TEMPERATURE: -40°C to +85°C

APPLICATION OPERATING TEMPERATURE: -10°C to +85°C

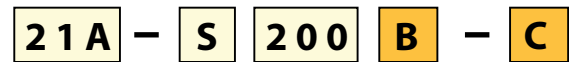
APPROVALS¹:  us



Part Number	Width mm [Inch]	Length mm [Inch]	Max Bundle Diameter mm [Inch]	Min Loop Tensile Kg [lb]
M - 18lb				
21A-M100	2.5 [.098]	100 [4.0]	21.6 [0.85]	8 [18]
I - 40lb				
21B-I155	3.6 [.140]	155 [6.0]	37.9 [1.49]	18 [40]
S - 50lb				
21A-S100	4.8 [.189]	100 [4.0]	21.6 [0.85]	22 [50]
21A-S130	4.8 [.189]	130 [5.1]	30.7 [1.21]	22 [50]
21A-S200	4.8 [.189]	200 [8.0]	50.0 [1.97]	22 [50]
21B-S200	4.8 [.189]	200 [8.0]	50.8 [2.00]	22 [50]

Notes:
1. 21B-I155 is not UL approved

PART NUMBER SYSTEM



SERIES

CROSS SECTION

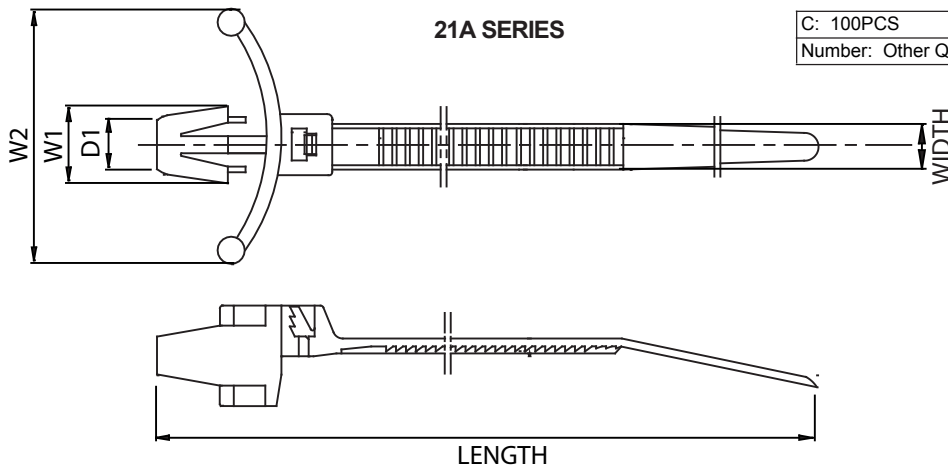
LENGTH

MATERIAL/COLOR

N: Natural
B: Normal UV Black

PACKAGE SIZE

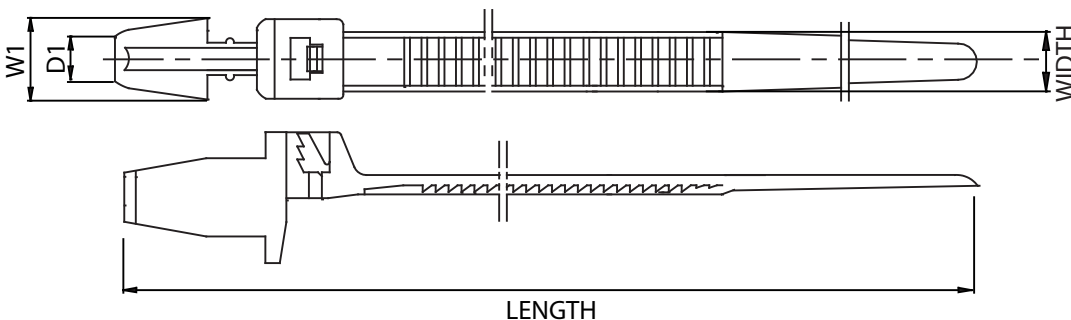
C: 100PCS
Number: Other Quantity



21A SERIES

Part Number	W1 mm [Inch]	W2 mm [Inch]	D1 mm [Inch]
21A-M100	5.58 [.220]	18.4 [.725]	3.55 [.140]
21A-S100	8.38 [.330]	18.9 [.745]	4.60 [.181]
21A-S130	8.38 [.330]	18.9 [.745]	4.60 [.181]
21A-S200	7.62 [.300]	17.1 [.675]	4.60 [.181]

21B SERIES



Part Number	W1 mm [Inch]	D1 mm [Inch]
21B-I155	5.97 [.235]	3.55 [.140]
21B-S200	7.60 [.300]	4.44 [.175]