

Customer Information Sheet

DRAWING No.: M80-28300XX & M80-28400XX SHT 2 OF 2

IF IN DOUBT - ASK

©

NOT TO SCALE

THIRD ANGLE PROJECTION

ALL DIMENSIONS IN mm

SPECIFICATION:

MATERIAL:
BERYLLIUM COPPER

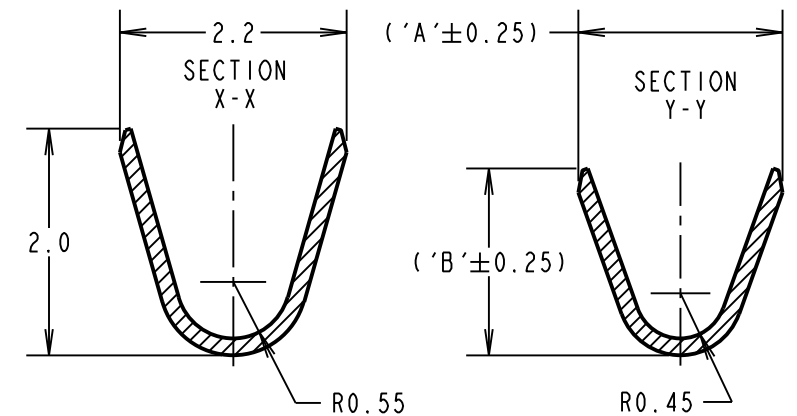
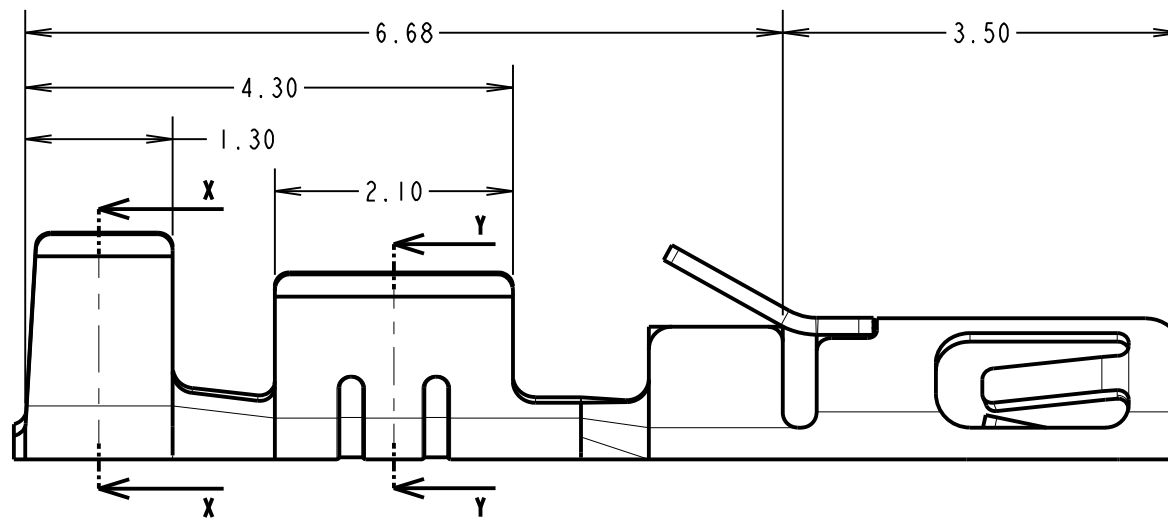
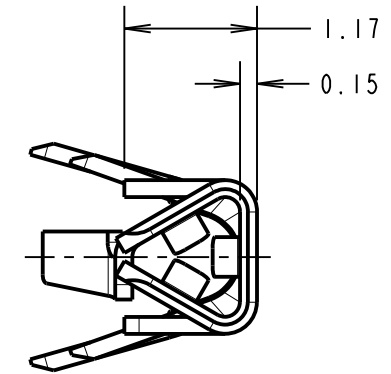
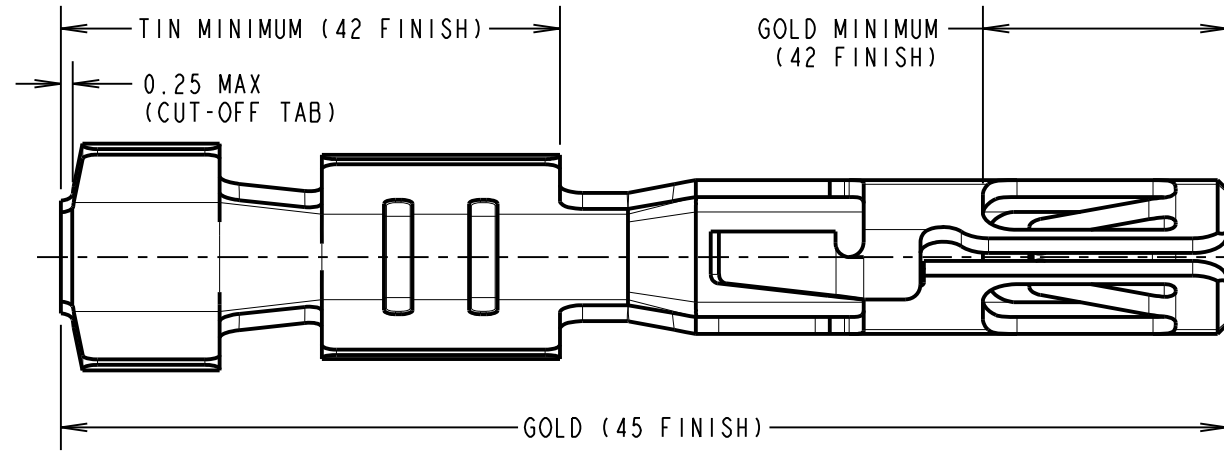
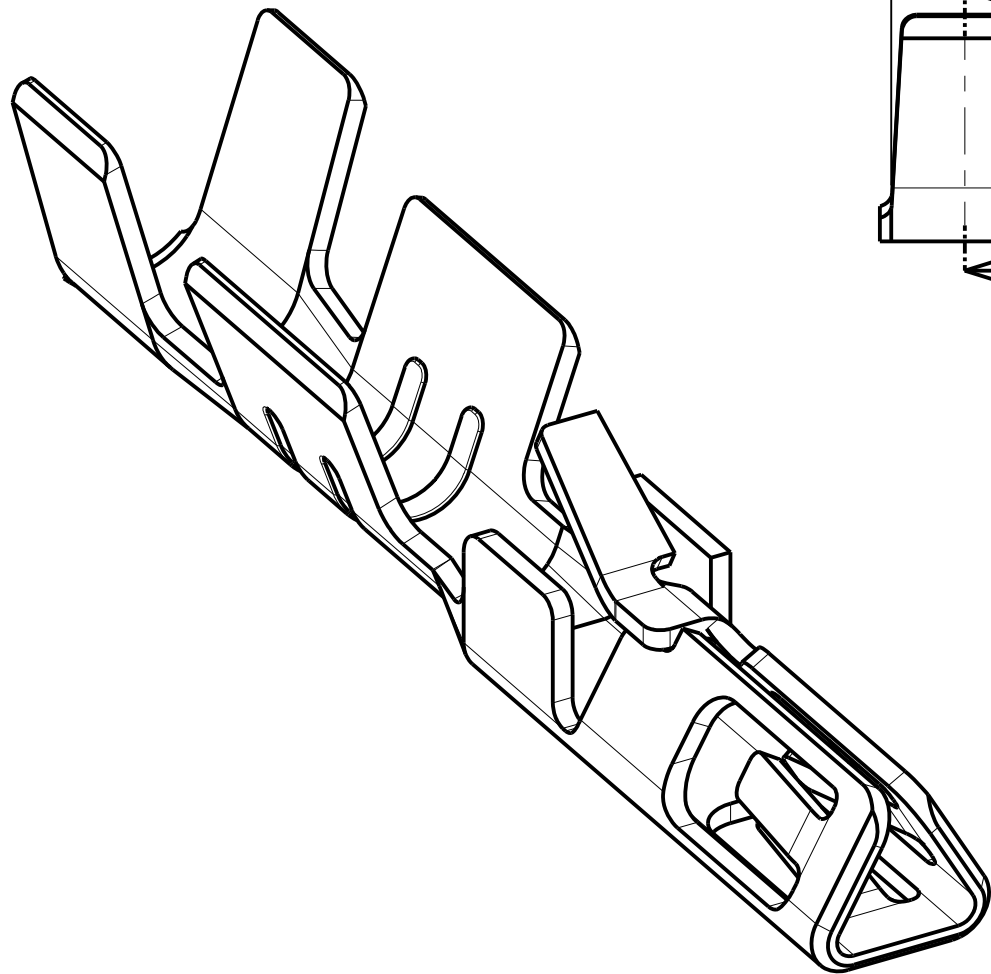
FINISH:
45 = 0.3µ MIN GOLD, ALL OVER
42 = 3µ MIN 100% TIN AND 0.3µ MIN GOLD, SELECTIVE PLATE
ALL FINISHES = NICKEL UNDERPLATE

MECHANICAL:
INSERTION FORCE = 2.8N MAX, 1.0N MIN
WITHDRAWAL FORCE = 1.8N MAX, 0.2N MIN
DURABILITY = 400 OPERATIONS

ENVIRONMENTAL:
OPERATING TEMPERATURE = -55°C TO +125°C

PACKING:
LOOSE, 100/BAG ONE OR MORE BAGS PER BOX

FOR COMPLETE CONNECTOR SPECIFICATION, SEE COMPONENT SPECIFICATION C040XX (LATEST ISSUE)



NOTES:

- TO BE USED WITH THE FOLLOWING FEMALE HOUSING:
M80-454XX98 = HOUSING ONLY
M80-455XX98 = HOUSING + SLOTTED JACKSCREW
M80-456XX98 = HOUSING + HEX SOCKET JACKSCREW
M80-457XX98 = HOUSING + REVERSE FIX JACKSCREW
M80-458XX98 = HOUSING + GUIDE AND BOARD MOUNT
- SUITABLE FOR PTFE INSULATED EQUIPMENT WIRE TO BS 3G 210 TYPE A, WIRE 22-28 AWG, WIRE INSULATION \varnothing 0.6mm- \varnothing 1.1mm.
- STRIP WIRE BY 2.5-3.0mm FOR CRIMPING.
- CRIMP SUITABLE FOR PROCESSING WITH HAND CRIMP TOOL Z80-255.
- FOR INSTRUCTIONS ON HAND CRIMP TOOL Z80-255, SEE INSTRUCTION SHEET IS-27.
- CONTACTS ARE AVAILABLE ON REELS, PART NUMBER M80-25300XX FOR 24-22 AWG WIRE AND M80-25400XX FOR 28-26 AWG WIRE, SUITABLE FOR PROCESSING WITH LEFT SIDE FEED CRIMPING PRESS. CONTACT datamate@harwin.com FOR DETAILS.

PART No.	DIMENSION	
	'A'	'B'
M80-28300XX	1.80	1.65
M80-28400XX	1.34	1.00

ORDER CODE:

M80-XXX00XX

WIRE SIZE: _____
283 = 24-22 AWG (0.22-0.34mm²)
284 = 28-26 AWG (0.08-0.12mm²)

FINISH: _____
45 = GOLD, ALL OVER
42 = 100% TIN & GOLD, SELECTIVE

SM	4	03.08.10	10892
NAME	ISS.	DATE	C/NOTE
APPROVED: S. MCCULLAGH			
CHECKED: R. ADDE			
DRAWN: B. M. KENT			
CUSTOMER REF.:			
ASSEMBLY DRG:			

HARWIN

HARWIN USA
TEL: 603 893 5376
FAX: 603 893 5396
mis@harwin.com

HARWIN Europe (UK)
TEL: 023 9231 4545
FAX: 023 9231 4590
mis@harwin.co.uk

HARWIN Asia
TEL: +65 6 779 4909
FAX: +65 6 779 3868
mis@harwin.com.sg

THIS DRAWING AND ANY INFORMATION OR DESCRIPTIVE MATTER SET OUT HEREON ARE CONFIDENTIAL AND COPYRIGHT PROPERTY OF THE HARWIN GROUP AND MUST NOT BE DISCLOSED, LOANED, COPIED OR USED FOR MANUFACTURING, TENDERING OR FOR ANY OTHER PURPOSE WITHOUT THEIR WRITTEN PERMISSION.

TOLERANCES
X. = ±1mm
X.X = ±0.25mm
X.XX = ±0.10mm
X.XXX = ±0.01mm
ANGLES = ±5°
UNLESS STATED

MATERIAL:

SEE ABOVE

FINISH:

SEE ABOVE

S/AREA:

mm²

TITLE: DATAMATE TRIO-TEK
FEMALE CRIMP CONTACT LOOSE
24-22 AWG & 28-26 AWG

DRAWING NUMBER:

M80-28300XX & M80-28400XX

SHT
2 OF 2