

FEATURES :

- Universal Input 90~264VAC
- High Efficiency Up To 88%
- Protection: Short Circuit /Overload/Over voltage
- Meet EMI EN55022 & EMS EN55024 standard
- Internal Input Filter
- 3 Years Warranty
- ROHS Compliant

Specifications typical at TA=25°C, nominal input voltage and rated output current unless otherwise specified

Part Number	Output Wattage	Output Voltage	Output Current	Ripple & Noise	Efficiency
	(W)	(VDC)	(mA)	(mV) max(Note)	(TYP %)
GB030-S03	20	3.3	6000	100	70
GB030-S05	30	5	6000	100	75
GB030-S12	30	12	2500	100	80
GB030-S15	30	15	2000	150	84
GB030-S24	30	24	1250	240	86
GB030-S48	30	48	625	240	88
GB030-D05	30	±5	±3000	100	75
GB030-D12	30	±12	±1250	100	78
GB030-D15	30	±15	±1000	150	80
GB020-D0503	20	V1=+5 / V2=+3.3	+3000/ +1500	150	65
GB030-D0512	30	V1=+5 / V2=+12.0	+3000/ +1250	150	75

Input Specifications

Parameters	Conditions	Min	Typ	Max	Units
Rated Input Voltage	Vo, Io nom		100~240		Vac
Voltage Range	Vo, Io nom	AC in	90	264	Vac
		DC in	120	370	Vdc
Line Frequency	Vi nom, Io nom	47	50/60	63	Hz
Inrush Current	Io nom	Vi:115VAC		10	A
		Vi:230VAC		20	A
Input Fuse	VDE/UL/CCC	FUSE 2.5A/250V (Slow blow)			

YUAN DEAN SCIENTIFIC



AC-DC Converter

GB020/GB030 SERIES

20~30Watt

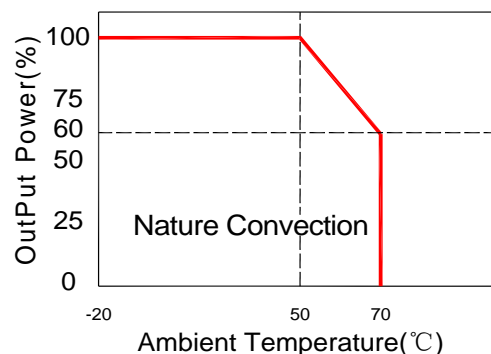
3KVac Isolated

Single & Dual Output

Open Frame



Temperature Derating Graph



www.yds.com.tw



TEL : 886-6-3842899 FAX : 886-6-3843288
E-MAIL : ydsweb@yds.com.tw

Rev:0 2017/12/26

Output Specifications

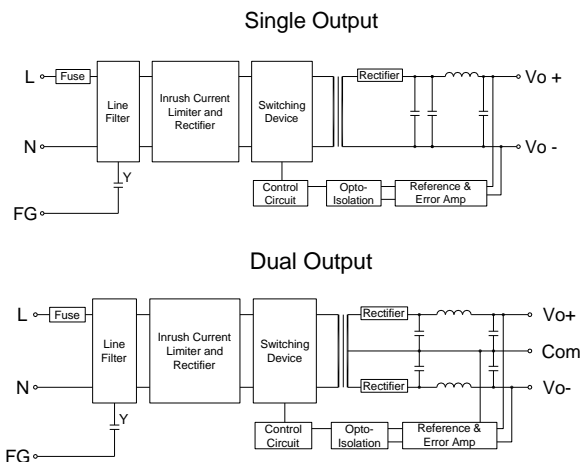
Parameters	Conditions	Min	Typ	Max	Units
Output Voltage Accuracy	Vi nom, Io nom (Main output)	3.3V,5V Models		±3	%
		12...48V Models		±2	%
	Supplement Output				±5
Minimum Load	Vi nom	Single Output Models		0	%
		Dual Output Models (each output)		20	%
Line Regulation	Io nom, Vi min...Vi max		±1		%
Load Regulation	Io min~ Io nom	Single Output Models		±2	%
		Dual Output Models		±5	%
Protection	Over Load	Above 110% rated output power			
		Protection type: Recovers automatically after fault condition is removed			
		Over Voltage	120%-150% rated output Voltage		
Protection type: Zener diode clamp					
Short circuit		Recovers automatically after fault condition is removed			

Note :
Ripple & noise is measured by using 20 MHz bandwidth, measured with a 47uf paralleled with a high-frequency 0.47uf capacitor across each output by full load.

General Specifications

Parameters	Conditions	Min	Typ	Max	Units
Switching Frequency	Vi nom, Io nom		65		KHz
Isolation Voltage	Input / Output	3KVac/ 5mA/5Secs			
Isolation Resistance	Input / Output,@500 Vdc	100			MΩ
Operating Temperature	Operating at Vi nom, Io nom	-20		+70	°C
Derating	Vi nom, Io nom+51 to 71°C			2	%/°C
Storage Temperature	Non Operational	-40		+85	°C
Relative Humidity	Vi nom, Io nom			95	% RH
Dimension		L101.60 x W50.80 x H31.0			mm
Cooling	Free air convection				

Circuit Schematic

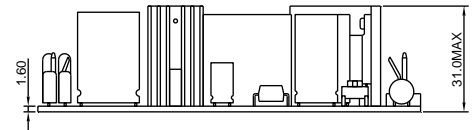
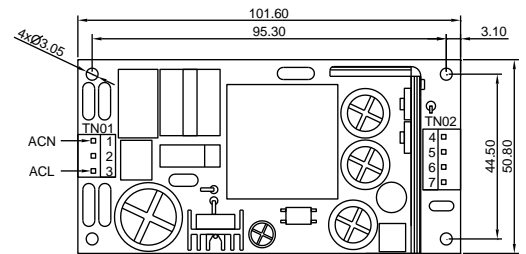


Part Number

$$\frac{GB030}{A} - \frac{S}{B} \frac{15}{C}$$

- A : Series
- B : Single(S);Dual(D)
- C : Output Voltage

Markings and Dimensions



Unit : mm
Unless otherwise specified, all tolerances are ±0.50

Notes:
1. Input connector mates with Molex housing 09-50-3031 and Molex 2478 series crimp terminal.
2. Output connector mates with Molex housing 09-50-3041 and Molex 2478 series crimp terminal.

TN01	Model		
PIN	Single	Dual	Dual
1	ACN	ACN	ACN
2	No PIN	No PIN	No PIN
3	ACL	ACL	ACL
TN02			
4	+Vo	+Vo	+Vo2
5	+Vo	Com	+Vo1
6	-Vo	Com	Com
7	-Vo	-Vo	Com

