

**Fax-on-Demand:** 86-22-24207687 / 25-471-1126

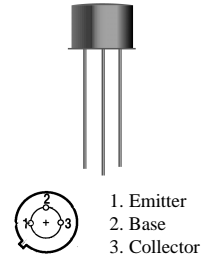
**Tel-on-Demand:** 86-22-24207688 / 25-471-1136

Before ordering check with  
factory for most current data

**672-3866 / 672-3866A**  
RF & MICROWAVE TRANSISTORS  
LOW POWER TRANSISTORS

## Features

- Silicon NPN, To-39 packaged VHF/UHF Transistor
- Specified 400 MHz, 28Vdc Characteristics
  - Output Power = 1.0 Watt
  - Minimum Gain = 10 dB
  - Efficiency = 45%
- 800 MHz Current-Gain Bandwidth Product



**TO-39**

## DESCRIPTION:

Silicon NPN transistor, designed for VHF and UHF equipment. Applications include amplifier; pre-driver, driver, and output stages. Also suitable for oscillator and frequency-multiplier functions.

## ABSOLUTE MAXIMUM RATINGS (T<sub>case</sub> = 25°C)

Symbol	Parameter	Value	Unit
V <sub>CEO</sub>	Collector-Emitter	30	Vdc
V <sub>CBO</sub>	Collector-Base Voltage	55	Vdc
V <sub>EBO</sub>	Emitter-Base Voltage	3.5	Vdc
I <sub>c</sub>	Collector Current	400	mA

## Thermal Data

P <sub>D</sub>	Total Device Dissipation Derate above 25°C	5.0 28.6	Watts mW/ °C
----------------	---	-------------	-----------------

**Fax-on-Demand:** 86-22-24207687 / 25-471-1126

**Tel-on-Demand:** 86-22-24207688 / 25-471-1136

Before ordering check with  
factory for most current data

**672-3866 / 672-3866A**  
**RF & MICROWAVE TRANSISTORS**  
**LOW POWER TRANSISTORS**

## ELECTRICAL SPECIFICATIONS (T<sub>case</sub> = 25°C)

### STATIC

(off)

Symbol	Test Conditions	Value			Unit
		Min.	Typ.	Max.	
BVCER	Collector-Emitter Breakdown Voltage (I <sub>C</sub> = 5.0 mA <sub>dc</sub> , R <sub>BE</sub> = 10 ohms)	55	-	-	V <sub>dc</sub>
BVCEO	Collector-Emitter Sustaining Voltage (I <sub>C</sub> = 5.0 mA <sub>dc</sub> , I <sub>B</sub> = 0)	30	-	-	V <sub>dc</sub>
BVCBO	Collector-Base Breakdown Voltage (I <sub>E</sub> = 0, I <sub>C</sub> = 0.1 mA <sub>dc</sub> )	55	-	-	V <sub>dc</sub>
BVEBO	Emitter-Base Breakdown Voltage (I <sub>E</sub> = 0.1 mA <sub>dc</sub> , I <sub>C</sub> = 0)	3.5	-	-	V <sub>dc</sub>
ICEO	Collector Cutoff Current (V <sub>CE</sub> = 28 V <sub>dc</sub> , I <sub>B</sub> = 0)	-	-	20	μA
ICEX	Collector Cutoff Current (V <sub>CE</sub> = 55 V <sub>dc</sub> , V <sub>BE</sub> = 1.5 V <sub>dc</sub> )	-	-	100	μA

(on)

HFE	DC Current Gain (I <sub>C</sub> = 360 mA <sub>dc</sub> , V <sub>CE</sub> = 5.0 V <sub>dc</sub> ) Both (I <sub>C</sub> = 50 mA <sub>dc</sub> , V <sub>CE</sub> = 5.0 V <sub>dc</sub> ) 672-3866 (I <sub>C</sub> = 50 mA <sub>dc</sub> , V <sub>CE</sub> = 5.0 V <sub>dc</sub> ) 672-3866A	5.0	-	-	-
		10	-	200	-
		25	-	200	-
V <sub>CE(sat)</sub>	Collector-Emitter Saturation Voltage (I <sub>C</sub> = 100 mA <sub>dc</sub> , I <sub>B</sub> = 20 mA <sub>dc</sub> )	-	-	1.0	V <sub>dc</sub>

### DYNAMIC

Symbol	Test Conditions	Value			Unit
		Min.	Typ.	Max.	
f <sub>T</sub>	Current-Gain - Bandwidth Product (I <sub>C</sub> = 50 mA <sub>dc</sub> , V <sub>CE</sub> = 15 V <sub>dc</sub> , f = 200 MHz)	2N3866 500	800	-	MHz
		2N3866A 800	-	-	
COB	Output Capacitance (V <sub>CB</sub> = 30 V <sub>dc</sub> , I <sub>E</sub> = 0, f = 1.0 MHz)	-	2.8	3.5	pF

**Fax-on-Demand:** 86-22-24207687 / 25-471-1126

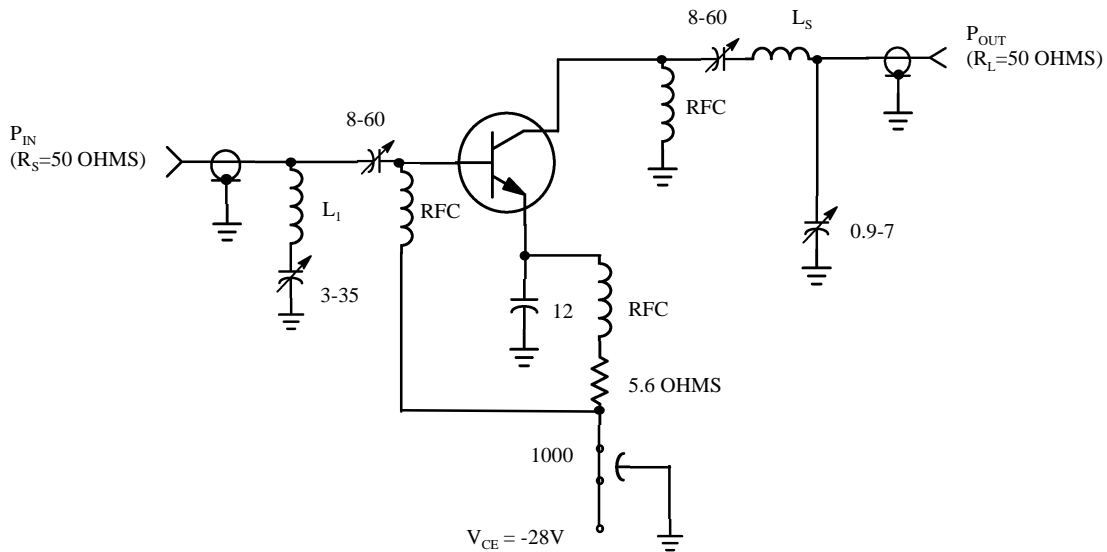
**Tel-on-Demand:** 86-22-24207688 / 25-471-1136

Before ordering check with  
factory for most current data

**672-3866 / 672-3866A**  
**RF & MICROWAVE TRANSISTORS**  
**LOW POWER TRANSISTORS**

**FUNCTIONAL**

Symbol	Test Conditions		Value			Unit
			Min.	Typ.	Max.	
$G_{PE}$	Power Gain	Test Circuit-Figure 1 Pin = 0.1 W, VCE = 28Vdc f = 400 MHz, TC = 25 C	10	-	-	dB
$P_{out}$	Output Power	Test Circuit-Figure 1 Pin = 0.1 W, VCE = 28Vdc f = 400 MHz, TC = 25 C	1.0	-	-	Watts
$\eta_c$	Collector Efficiency	Test Circuit-Figure 1 Pin = 0.1 W, VCE = 28Vdc f = 400 MHz, TC = 25 C	45	-	-	%



**Figure 1 - 400 MHz RF AMPLIFIER CIRCUIT FOR  $G_{PE}$ ,  $P_{OUT}$ , AND EFFICIENCY SPECIFICATIONS.**

$L_1$ : 2 TURNS No. 18 wire, 1/4" ID, 1/8" long

$L_s$ : 2 3/4 TURNS No. 18 wire, 1/4" ID, 3/16" long

Capacitor values in pF unless  
otherwise indicated.

Tuning capacitors are air variable

**Fax-on-Demand:** 86-22-24207687 / 25-471-1126

**Tel-on-Demand:** 86-22-24207688 / 25-471-1136

Before ordering check with factory for most current data

**672-3866 / 672-3866A**  
**RF & MICROWAVE TRANSISTORS**  
**LOW POWER TRANSISTORS**

## RF Low Power PA, LNA, and General Purpose Discrete Selector Guide

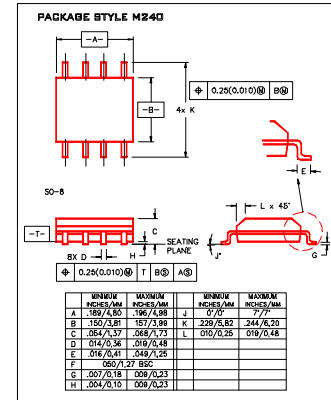
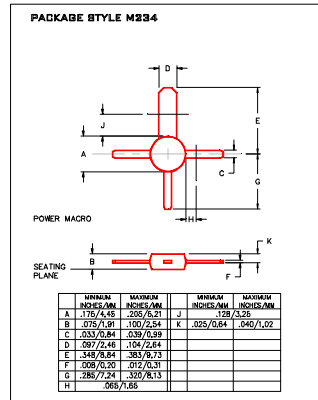
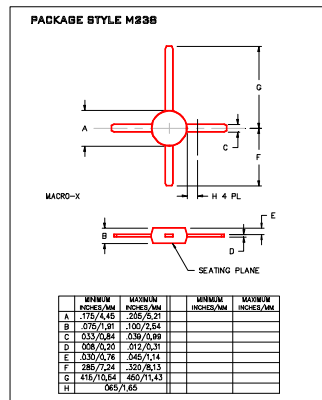
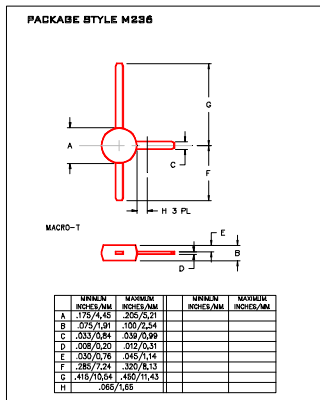
Package	Device	Type	GPE Freq (MHz)	Pout	GPE (dB)	Efficiency (%)	GPE VCC	BVCEO	IC max (mA)
SO-8	672-4427, R2	NPN	175	0.15	18	60	12	20	400
TO-39	672-4427	NPN	175	1	10	50	12	20	400
POWER MACRO	672-553	NPN	175	1.5	11.5	60	12.5	16	500
POWER MACRO	672-553T	NPN	175	1.5	11.5	50	12.5	16	500
TO-39	672-607	NPN	175	1.75	11.5	50	12.5	16	330
TO-39	672-6255	NPN	175	3	7.8	50	12.5	18	1000
TO-72	672-5179	NPN	200		20		6	12	50
MACRO X	672-559	NPN	512	0.5	10	65	7.5	16	150
MACRO X	672-559	NPN	512	0.5	13	60	12.5	16	150
TO-39	672-3866A	NPN	400	1	10	45	28	30	400
SO-8	672-3866, R1, R2	NPN	400	1	10	45	28	30	400
POWER MACRO	672-555	NPN	470	1.5	11	50	12.5	16	400
POWER MACRO	672-555T	NPN	470	1.5	11	50	12.5	16	400
MACRO X	672-559	NPN	870	0.5	6.5	70	7.5	16	150
MACRO X	672-559	NPN	870	0.5	9.5	65	12.5	16	150
SO-8	672-8372,R1,R2	NPN	870	0.75	8	55	12.5	16	200
POWER MACRO	672-557	NPN	870	1.5	8	55	12.5	16	400
POWER MACRO	672-557T	NPN	870	1.5	8	55	12.5	16	400

Package	Device	Type	Freq (MHz)	NF (dB)	NF IC (mA)	NF VCE	GNF (dB)	Gu Max (dB)	Ftau (MHz)	Ccb(pF)	BVCEO	IC max (mA)	
TO-39	672-5109	NPN	200	3	10	1		12	1200	3.5	2	400	
TO-39	672-5943C	NPN	200	3.4	30	15		11.4	1000			30	400
SO-8	672-5943, R1, R2	NPN	200	3.4	30	15		15	1300			30	400
TO-72	672-5179	NPN	200	4	1	2		17	900	1	1	50	
TO-72	672-2857	NPN	300	5	50	4		13	1600	1	1	4	
TO-39	672-517	NPN	300	7.5	50	15		5.5	4600	3	25	150	
TO-72	672-904	NPN	450	1.5	5	6		11	4000	1	15	30	
TO-72	672-6304	NPN	450	5	2	5		14	1400	1	1	50	
MACRO T	672-R91	NPN	500	1.9	2	3	11	16.5	5000	1	1	3	
MACRO T	672-R96	NPN	500	2	14	10		14.5	50	2.5	15	10	
SO-8	672-5812, R1, R2	NPN	500	2	50	10	15.5	17.8	5000			15	200
MACRO X	672-581A	NPN	500	2	50	10	14	15	5000			15	200
Macro	672-90	NPN	500	2.4	2	10	15	18	5000	1	15	30	
TO-72	672-90	NPN	500	2.5	2	5		20	1300			15	50
TO-72	672-914	NPN	500	2.5	5	10		15	4500			12	40
MACRO X	672-581	NPN	500	2.5	50	10	15	17.8	5000			16	200
TO-39	672-586	NPN	500	3	90	15	11	14.5	4500	2.2	17	200	
MACRO X	672-951	NPN	1000	1.3	5	6	14	17	8000	0.45	10	100	
MACRO X	672-571	NPN	1000	1.5	10	6	14	10	8000	1	10	70	
MACRO T	672-91	NPN	1000	2.5	2	5	8	11	5000	1	12	35	
MACRO T	672-90	NPN	1000	3	2	10	10	12.5	5000	1	15	30	
TO-39	672-545	PNP							14	1400	2	70	400
TO-39	672-544	NPN							13.5	1500		70	400

RF (Low Power PA / General Purpose) Selection

RF (LNA / General Purpose) Selection Guide

## Low Cost RF Plastic Package Options



Macro T

Macro X

Power

SO-8

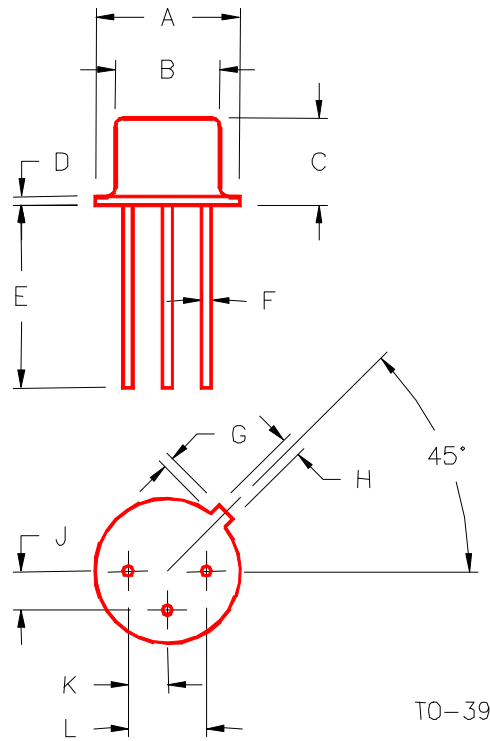
**Fax-on-Demand:** 86-22-24207687 / 25-471-1126

**Tel-on-Demand:** 86-22-24207688 / 25-471-1136

Before ordering check with  
factory for most current data

**672-3866 / 672-3866A**  
RF & MICROWAVE TRANSISTORS  
LOW POWER TRANSISTORS

PACKAGE STYLE M246



	MINIMUM INCHES/MM	MAXIMUM INCHES/MM		MINIMUM INCHES/MM	MAXIMUM INCHES/MM
A	.350/8,89	.370/9,40	J	.095/2,41	.105/2,67
B	.315/8,00	.335/8,51	K	.095/2,41	.105/2,67
C	.240/6,10	.260/6,60	L	.190/4,83	.210/5,33
D	.015/0,38	.045/1,14			
E	.500/12,70				
F	.016/0,41	.019/0,48			
G	.029/0,74	.040/1,02			
H	.028/0,71	.034/0,86			