

PLEASE CHECK WWW.MOLEX.COM FOR LATEST PART INFORMATION

Part Number: [0532610771](#)
Status: **Active**
Overview: [picoblade](#)
Description: 1.25mm (.049") Pitch PicoBlade™ Header, Surface Mount, Right Angle, Lead-free, 7 Circuits

Documents:

[3D Model](#) [Product Specification PS-51021-024 \(PDF\)](#)
[Drawing \(PDF\)](#) [RoHS Certificate of Compliance \(PDF\)](#)

Agency Certification

CSA LR19980
 UL E29179

General

Product Family PCB Headers
 Series [53261](#)
 Application Wire-to-Board
 Overview [picoblade](#)
 Product Name PicoBlade™

Physical

Breakaway No
 Circuits (Loaded) 7
 Circuits (maximum) 7
 Color - Resin Natural
 Durability (mating cycles max) 30
 First Mate / Last Break No
 Flammability 94V-0
 Glow-Wire Compliant No
 Guide to Mating Part Yes
 Keying to Mating Part None
 Lock to Mating Part Yes
 Mated Height (in) 0.134 In
 Mated Height (mm) 3.40 mm
 Material - Metal Phosphor Bronze
 Material - Plating Mating Tin
 Material - Plating Termination Tin
 Material - Resin High Temperature Thermoplastic
 Number of Rows 1
 Orientation Right Angle
 PCB Locator No
 PCB Retention Yes
 Packaging Type Embossed Tape on Reel
 Pitch - Mating Interface (in) 0.049 In
 Pitch - Mating Interface (mm) 1.25 mm
 Plating min: Mating (µin) 40
 Plating min: Mating (µm) 1
 Plating min: Termination (µin) 40
 Plating min: Termination (µm) 1
 Polarized to PCB Yes
 Shrouded Fully
 Stackable No
 Temperature Range - Operating -40°C to +85°C
 Termination Interface: Style Surface Mount

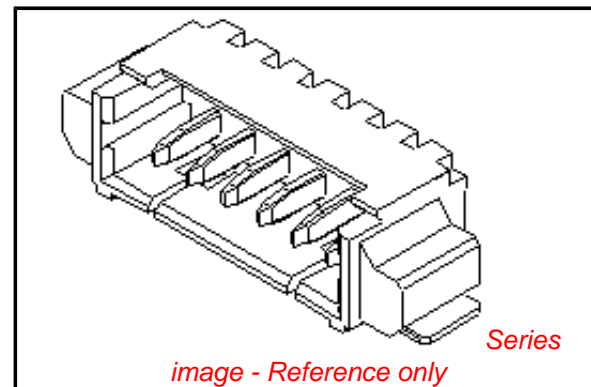


image - Reference only

EU RoHS

ELV and RoHS Compliant
REACH SVHC Contains SVHC: No
Halogen-Free Status

China RoHS



Not Halogen-Free
Need more information on product environmental compliance?

Email productcompliance@molex.com
 For a multiple part number RoHS Certificate of Compliance, [click here](#)

Please visit the [Contact Us](#) section for any non-product compliance questions.

Search Parts in this Series

[53261Series](#)

Mates With

[51021](#) PicoBlade™ Wire-to-Wire and Wire-to-Board Housing

Electrical

Current - Maximum per Contact

1A

Voltage - Maximum

125V

Material Info**Reference - Drawing Numbers**

Packaging Specification

SPK-53261-001, SPK-53261-002

Product Specification

PS-51021-024, RPS-51021-036, RPS-51021-038,
RPS-51021-039, RPS-51021-040, RPS-51021-042,
RPS-51021-043, RPS-51021-045, RPS-51021-046,
RPS-51021-047, RPS-51021-051, RPS-51021-053,
RPS-51021-054, RPS-51021-057, RPS-51021-058,
RPS-51021-061, RPS-51021-062, RPS-51021-066,
RPS-51021-067, RPS-51021-068, RPS-51021-072,
RPS-51021-073, RPS-51021-076, RPS-51021-079,
RPS-51021-081, RPS-51021-084, RPS-51021-085,
RPS-51021-086, RPS-51021-091, RPS-51021-097,
RPS-51021-099, RPS-51021-101, RPS-53261-001,
RPS-53261-002

Sales Drawing

SD-51021-002, SD-53261-023, SD-53261-024

This document was generated on 05/25/2010

PLEASE CHECK WWW.MOLEX.COM FOR LATEST PART INFORMATION

10 9 8 7 6 5 4 3 2 1

F

F

E

E

D

D

C

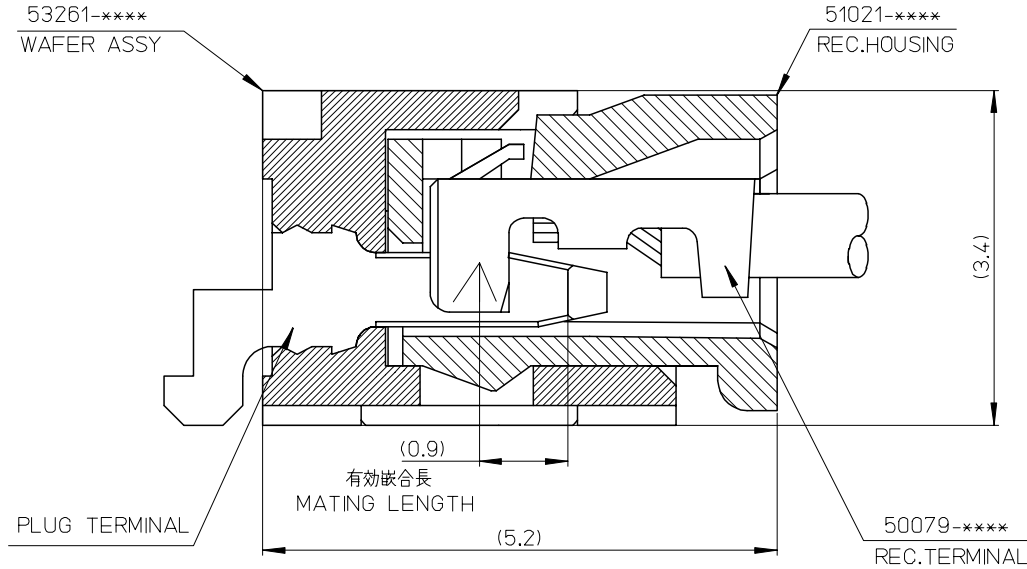
C

B

B

A

A



53261-****	WAFER ASSY	MODEL NO./MATERIAL NO.
50079-****	TERMINAL	
51021-****	HOUSING	

RELEASED EC NO: J2006-2426 DRWN: A0YAGI 2006/02/02 CHKD: YMAEDA 2006/02/03 APPR: NUKITA 2006/02/07	GENERAL TOLERANCES (UNLESS SPECIFIED)		DIMENSION STYLE MM ONLY		SCALE ---	DESIGN UNITS METRIC	THIRD ANGLE PROJECTION	
	10 UNDER	± ---	DRAWN BY Y. A0YAGI	DATE 2006/01/30	TITLE 1.25 W-TO-B CONN. 51021,53261 MATING CROSS SECTION			
	10 OVER 30 UNDER	± ---	CHECKED BY Y. MAEDA	DATE 2006/01/30	MOLEX INCORPORATED			
	30 OVER	± ---	APPROVED BY N. UKITA	DATE 2006/01/30	DOCUMENT NO. SD-51021-002			
	ANGULAR	± --- °	MATERIAL NO. SEE CHART		SHEET NO. 1 OF 1			
0	DRAFT WHERE APPLICABLE MUST REMAIN WITHIN DIMENSIONS		SIZE A3		THIS DRAWING CONTAINS INFORMATION THAT IS PROPRIETARY TO MOLEX INCORPORATED AND SHOULD NOT BE USED WITHOUT WRITTEN PERMISSION			

9

8

7

6

5

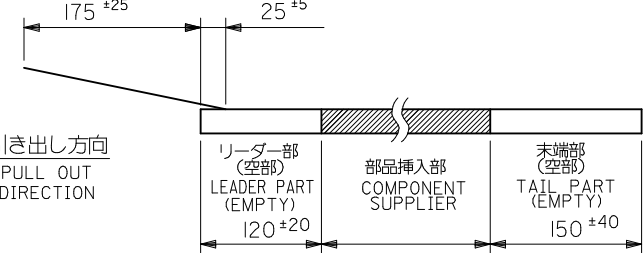
4

3

2

注記
NOTES

- 53261-**-19 の詳細寸法については図面 SD-53261-024 を参照下さい。
RE DETAILED DIMENSIONS, SEE SD-53261-024
- 梱包数量: 1000個/リール
NUMBER OF CONNECTOR: 1000PCS/REEL
- リードテープ長さ LEAD TAPE LENGTH
トップテープリーダー部 TOP TAPE LEADER PART
トップテープ未接着部 TOP TAPE NON-BONDED PART



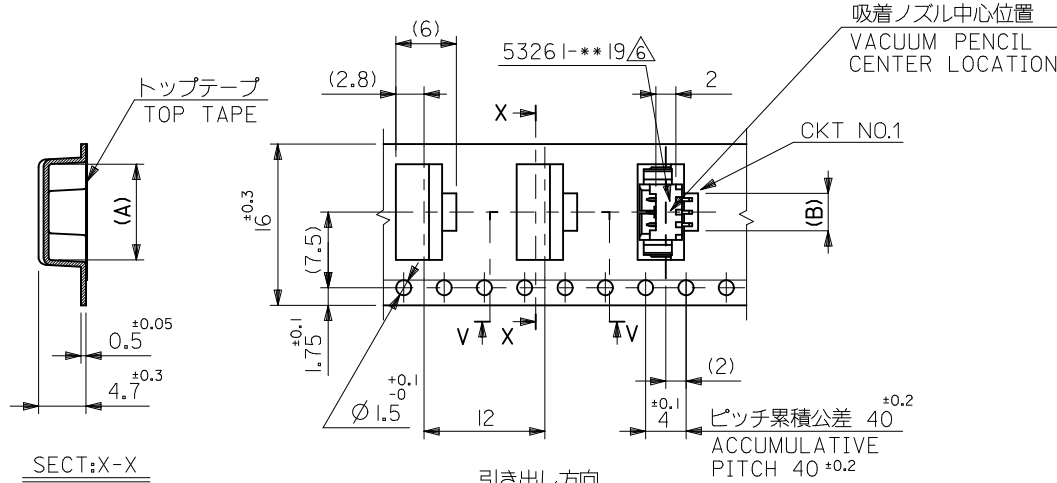
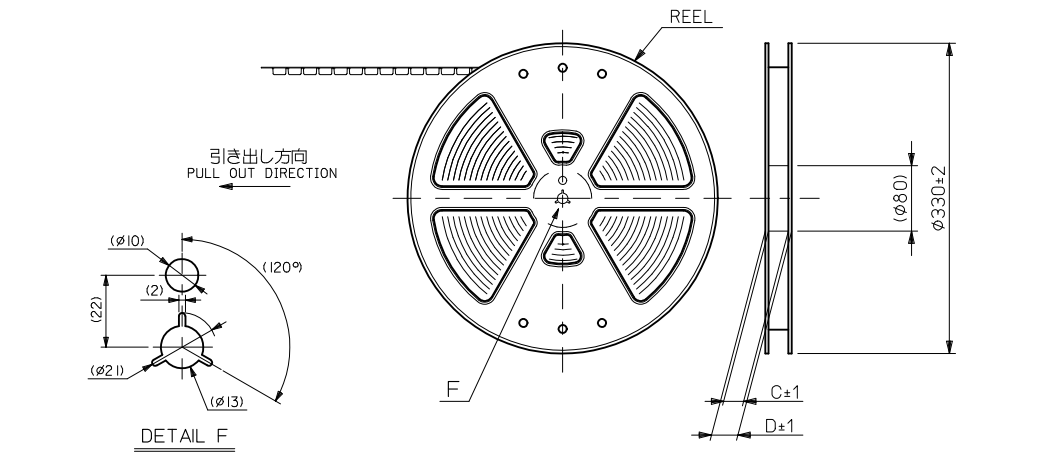
- 材料 (MATERIAL)
キャリアテープ (CARRIER TAPE): ポリプロピレン (POLYPROPYLENE)
トップテープ (TOP TAPE): PET, PE, PEF
リール (REEL): ポリスチレン (PS) <リサイクル材含む>
POLYSTYRENE (PS) <RECYCLE MATERIAL CONTAINED>

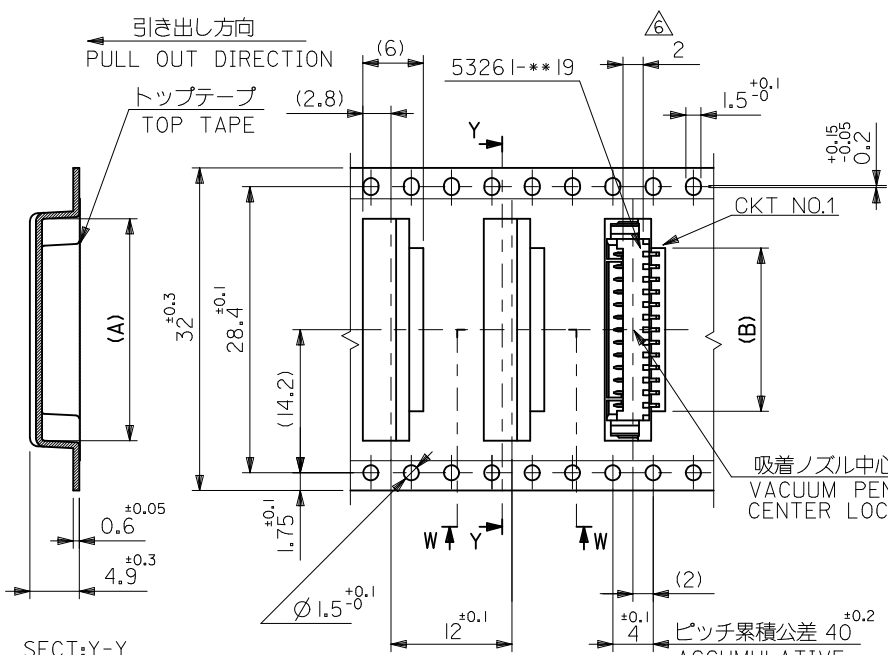
△ コネクタ、ハウジング平面部
CONNECTOR, HOUSING FLAT AREA

- 本製品は 53261-**-90 の鉛フリー品である。
THIS PRODUCT IS LEAD FREE OF 53261-**-90
- ELV及びRoHS適合品
ELV AND RoHS COMPLIANT
- 本製品は乾燥剤入り、ハイバリア梱包仕様である。
THIS PRODUCT IS HIGH BARRIER PACKAGE WITH DESICCANT.

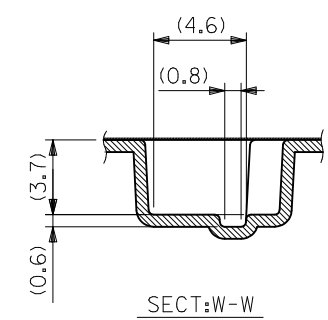
16	21.4	17.4	3.7	9.5	53261-0371	3				
			2.45	8.25	53261-0271	2				
キャリアテープ幅 CARRIER TAPE WIDTH					D	C	B	A	EMBOSSED TAPE PACKAGE オーダー番号 ORDER NO.	極数 CKT.

REVISED EC NO: D	DESCRIPTION 2010/02/17 DRWN: YGOTO CHKD: KASAKAWA APPR:	GENERAL TOLERANCES (UNLESS SPECIFIED)		DIMENSION STYLE MM ONLY		SCALE ---	DESIGN UNITS METRIC		THIRD ANGLE PROJECTION		
		10 UNDER	±0.2	DRAWN BY H. SHIMABUKUR	DATE '04/02/06	TITLE 1.25 W/B CONN WAFER ASSY FOR SMT EMBSTP PKG					
		10 OVER 30 UNDER	±0.25	CHECKED BY K. TOJO	DATE '04/02/06	APPROVED BY NUKITA 2010/02/18					
		30 OVER	±0.3	MATERIAL NO. SEE TABLE & SHEET 2,3		DOCUMENT NO. SD-53261-023		SHEET NO. 1 OF 3			
ANGULAR ±3 °		DRAFT WHERE APPLICABLE MUST REMAIN WITHIN DIMENSIONS		THIS DRAWING CONTAINS INFORMATION THAT IS PROPRIETARY TO MOLEX INCORPORATED AND SHOULD NOT BE USED WITHOUT WRITTEN PERMISSION							

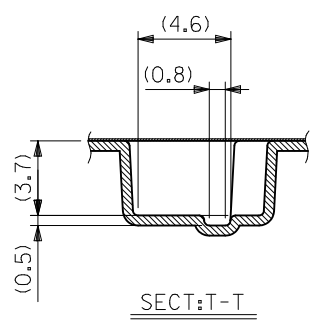




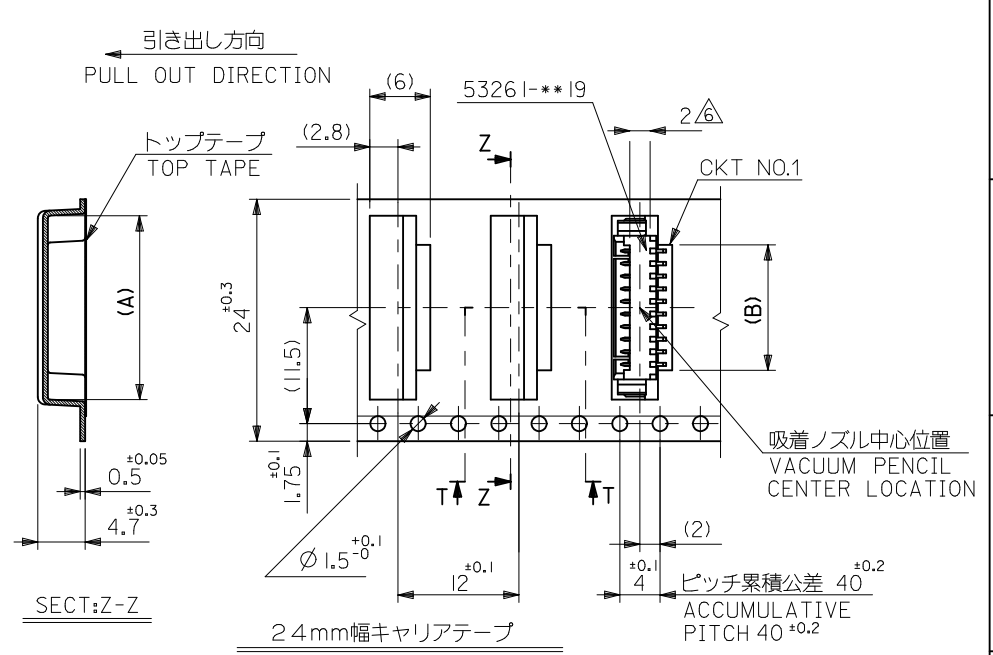
32mm幅キャリアテープ
32mm WIDTH CARRIER TAPE



SECT:W-W



SECT:T-T

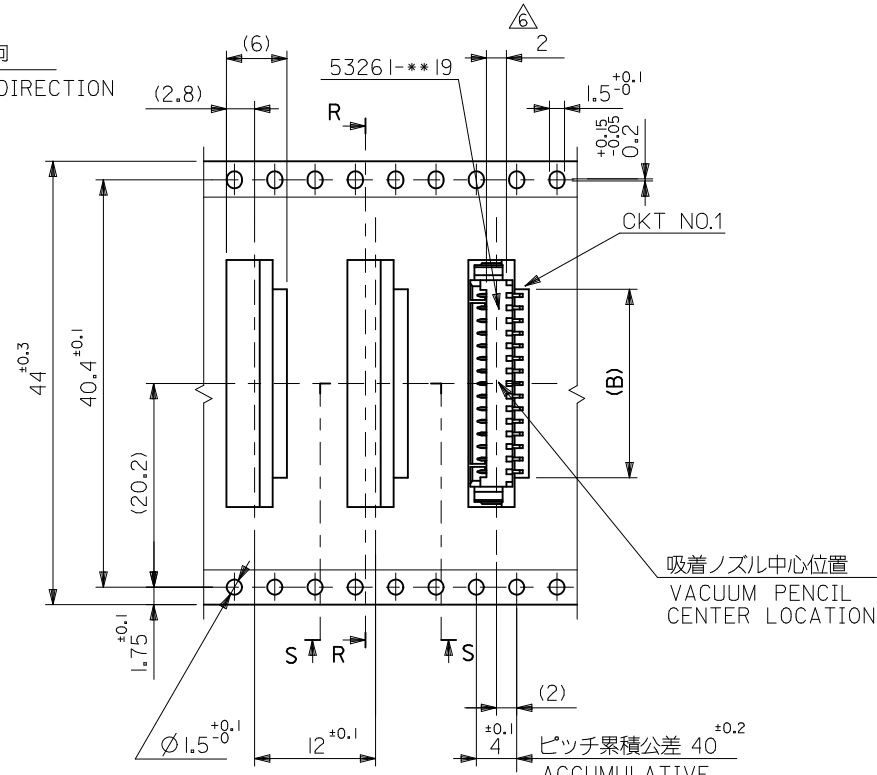
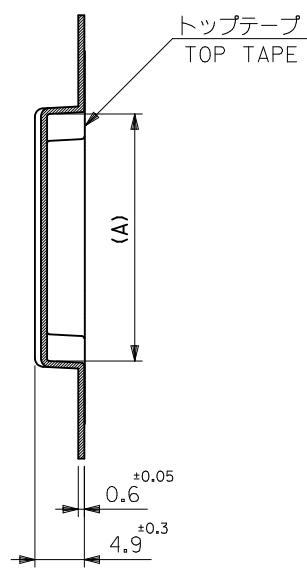


24mm幅キャリアテープ
24mm WIDTH CARRIER TAPE

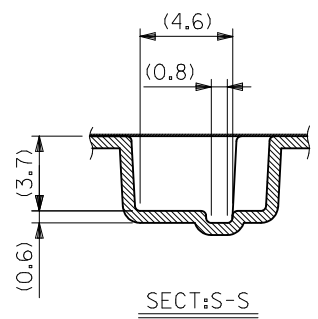
32	37.4	33.4	16.2	22	53261-1371	13		
			14.95	20.75	-1271	12		
24	29.4	25.4	13.7	19.5	-1171	11		
			12.45	18.25	-1071	10		
			11.2	17	-0971	9		
			9.95	15.75	-0871	8		
			8.7	14.5	-0771	7		
			7.45	13.25	-0671	6		
			6.2	12	-0571	5		
			4.95	10.75	53261-0471	4		
キャリアテープ幅 CARRIER TAPE WIDTH			D	C	B	A	EMBOSSD TAPE PACKAGE 極数 CTKT.	
MODEL NO. 53261-**71			DIMENSION STYLE MM ONLY		SCALE ---		DESIGN UNITS METRIC	THIRD ANGLE PROJECTION

REVISED EC NO: D DRWN:YGOITO CHKD:KASAKAWA APPR:	2010/02/17	GENERAL TOLERANCES (UNLESS SPECIFIED)		DRAWN BY H. SHIMABUKUR		DATE '04/02/06	TITLE 1.25 W/B CONN WAFER ASSY FOR SMT EMBSTP PKG
	10 UNDER	±0.2	CHECKED BY K. TOJO		DATE '04/02/06		
	10 OVER 30 UNDER	±0.25	APPROVED BY NUKITA		DATE 2010/02/18		
	30 OVER	±0.3	MATERIAL NO.		DOCUMENT NO.		
	ANGULAR ±3 °		SEE TABLE & SHEET 1.3		MOLEX INCORPORATED		
DRAFT WHERE APPLICABLE MUST REMAIN WITHIN DIMENSIONS		SIZE A3		THIS DRAWING CONTAINS INFORMATION THAT IS PROPRIETARY TO MOLEX INCORPORATED AND SHOULD NOT BE USED WITHOUT WRITTEN PERMISSION		SHEET NO. 2 OF 3	

引き出し方向
PULL OUT DIRECTION

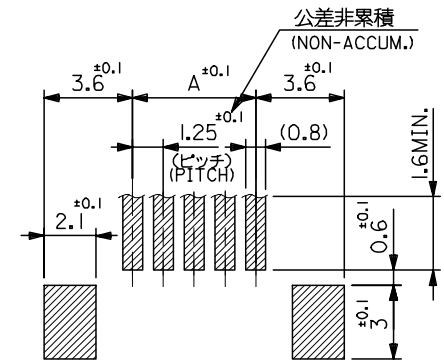
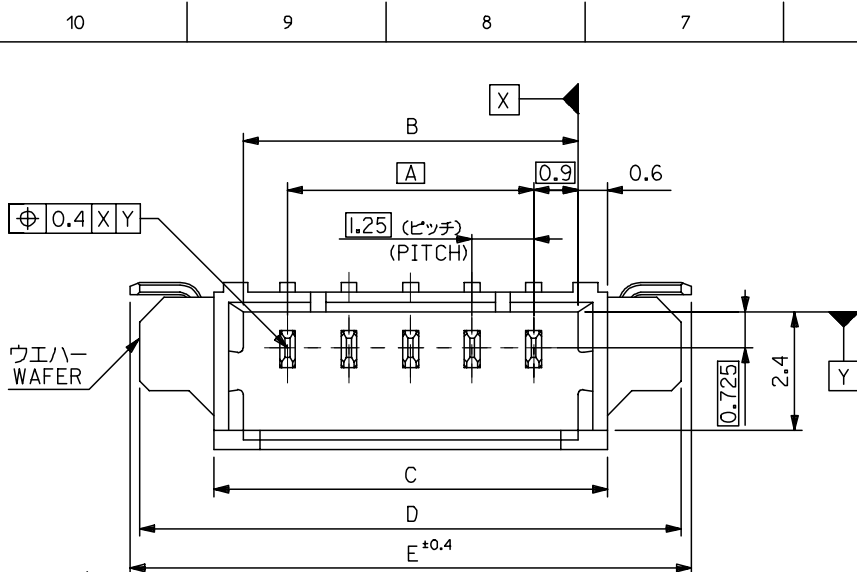


44mm幅キャリアテープ
44mm WIDTH CARRIER TAPE

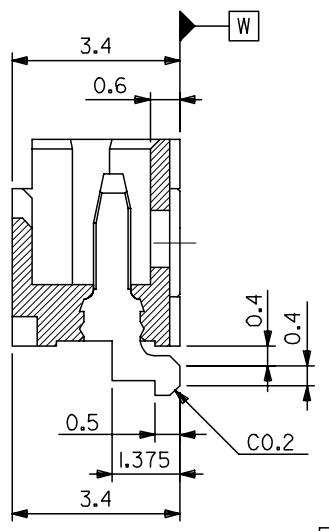
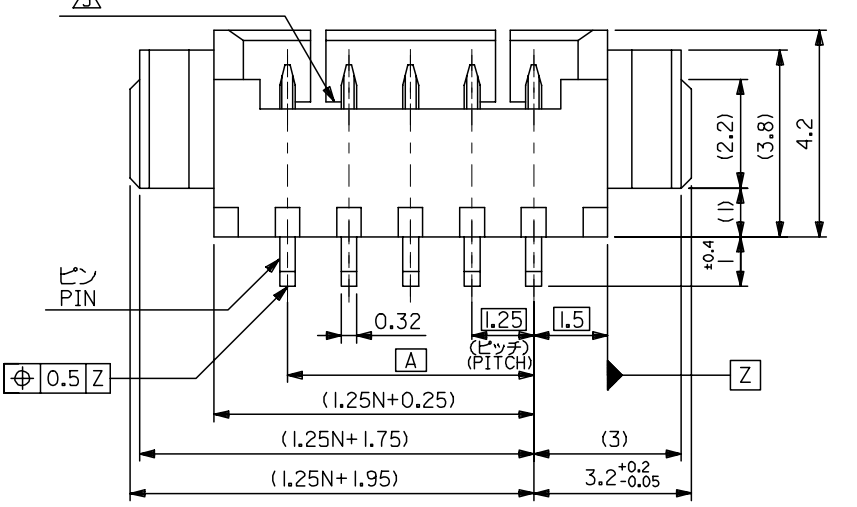


44	49.4	45.4	18.7	24.5	53261-1571	15				
			17.45	23.25	53261-1471	14				
キャリアテープ幅 CARRIER TAPE WIDTH					D	C	B	A	EMBOSSD TAPE PACKAGE オーダー番号 ORDER NO.	極数 CKT.

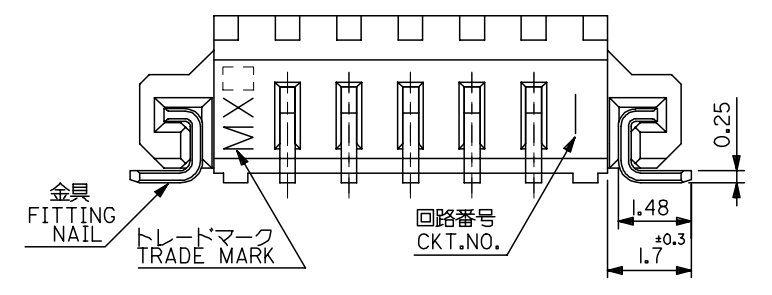
REVISED EC NO: D DRWN:Y.GOTO CHKD:KASAKAWA APPR: REV	2010/02/17	GENERAL TOLERANCES (UNLESS SPECIFIED)		DIMENSION STYLE MM ONLY		SCALE ---	DESIGN UNITS METRIC	THIRD ANGLE PROJECTION	
	DESCRIPTION	10 UNDER	±0.2	DRAWN BY H. SHIMABUKUR	DATE '04/02/06	TITLE 1.25 W/B CONN WAFER ASSY FOR SMT EMBSTP PKG			
		10 OVER 30 UNDER	±0.25	CHECKED BY K. TOJO	DATE '04/02/06				
		30 OVER	±0.3	APPROVED BY NUKITA	DATE 2010/02/18	MOLEX INCORPORATED DOCUMENT NO. SD-53261-023 SHEET NO. 3 OF 3			
		ANGULAR	±3 °	MATERIAL NO. SEE TABLE & SHEET 12	SIZE A3				
	DRAFT WHERE APPLICABLE MUST REMAIN WITHIN DIMENSIONS			THIS DRAWING CONTAINS INFORMATION THAT IS PROPRIETARY TO MOLEX INCORPORATED AND SHOULD NOT BE USED WITHOUT WRITTEN PERMISSION					



参考基板レイアウト
RECOMMENDED P.C.BOARD PATTERN DIM.(REF.)
(SCALE 5:1)



[断面図]
[CROSS SECTION]



注記 NOTES

1. 嵌合相手: 51021 シリウス
MATES WITH: 51021 SERIES
2. 材質 MATERIAL
ウエハー: NYLON46, UL94V-0
ピン: リン青銅
PIN: PHOS-BRO
: 銅メッキ 1.0 マイクロメートル以上
: TIN 1.0 MICROMETER MINIMUM
: ニッケル下地 1.0 マイクロメートル以上
: NICKEL(UNDER PLATING)1.0 MICROMETER MINIMUM
金具
FITTING NAIL: リン青銅
: PHOS-BRO
: 銅メッキ 1.0 マイクロメートル以上
: TIN 1.0 MICROMETER MINIMUM
: ニッケル下地 1.0 マイクロメートル以上
: NICKEL(UNDER PLATING)1.0 MICROMETER MINIMUM
- △ ロック窓は2, 3極は1箇所, 4極以上は2箇所とする。
LOCKING WINDOW:
ONE PLACE FOR 2 AND 3 CKT. AND
TWO PLACES FOR MORE THAN 3 CKT.
4. ソルダーテール部のスレ量及び金具(補強板)のスレ量は基準面[W]に対し、上方向0.05 MAX、下方向に0.1 MAX.とする。[W] OFFSET BETWEEN BASIS PLANE TO SOLDER TAIL BOTTOM AND FITTING NAIL BOTTOM:
UPPER SIDE: 0.05MAX.
LOWER SIDE: 0.1MAX.
5. 本製品は 53261-**-10 の鉛フリー品である。
THIS PRODUCT IS LEAD FREE OF 53261-**-10

26.4	26	23	21.8	20	53261-1719	17	
23.9	23.5	20.5	19.3	17.5	-1519	15	
22.65	22.25	19.25	18.05	16.25	-1419	14	
21.4	21	18	16.8	15	-1319	13	
20.15	19.75	16.75	15.55	13.75	-1219	12	
18.9	18.5	15.5	14.3	12.5	-1119	11	
17.65	17.25	14.25	13.05	11.25	-1019	10	
16.4	16	13	11.8	10	-0919	9	
15.15	14.75	11.75	10.55	8.75	-0819	8	
13.9	13.5	10.5	9.3	7.5	-0719	7	
12.65	12.25	9.25	8.05	6.25	-0619	6	
11.4	11	8	6.8	5	-0519	5	
10.15	9.75	6.75	5.55	3.75	-0419	4	
8.9	8.5	5.5	4.3	2.5	-0319	3	
53261-**-19	7.65	7.25	4.25	3.05	1.25	53261-0219	2

MODEL NO.	E	D	C	B	A	MATERIAL. NO.	極数 CKT.
-----------	---	---	---	---	---	---------------	---------

REVISED EC NO: J2005-3130 DRW:NAIDA 2005/04/19 CHK:KTOYODA 2005/04/21 APPR:NUKITA 2005/04/25	GENERAL TOLERANCES (UNLESS SPECIFIED)		DIMENSION STYLE MM ONLY		SCALE 10:1	DESIGN UNITS METRIC	THIRD ANGLE PROJECTION
	10 UNDER	±0.2	DRAWN BY HSHIMABU	DATE 04/02/06	TITLE 1.25 WIRE TO BOARD WAFER ASS FOR SMT -LEAD FREE-		
	10 OVER 30 UNDER	±0.25	CHECKED BY KTOJO	DATE 04/02/06	MOLEX INCORPORATED		
	30 OVER	±0.3	APPROVED BY MSASAO	DATE 04/02/06	DOCUMENT NO. SD-53261-024		
	ANGULAR	±3 °	MATERIAL NO.		SHEET NO. 1 OF 1		
DRAFT WHERE APPLICABLE MUST REMAIN WITHIN DIMENSIONS		SEE DRAWING		THIS DRAWING CONTAINS INFORMATION THAT IS PROPRIETARY TO MOLEX INCORPORATED AND SHOULD NOT BE USED WITHOUT WRITTEN PERMISSION			