

A30

SCA CONNECTOR IDC TYPE (MALE)

PITCH: 1.27mm

SPECIFICATIONS

Material

Insulator : PBT, glass reinforced, rated UL 94V-0

Contact : Phosphor Bronze

Electrical

Current Rating : 1 Amp DC

Contact Resistance : 30 mΩ max.

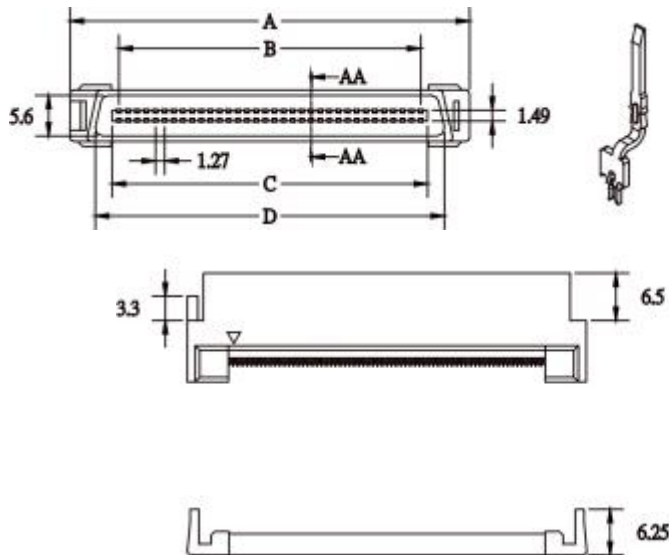
Insulation Resistance : 1000 MΩ min.

Dielectric Withstanding Voltage : 250V AC for 1minute

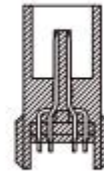
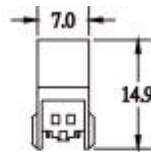
Operating Temperature : -40°C to +105°C

♦ Terminated with 0.635mm pitch flat ribbon cable.

♦ Mating Suggestion : A31, E28, E29 & E30 series.



POSITION	A	B	C	D
68	54.58	41.91	43.68	47.88
80	62.20	49.53	51.30	55.50



SECTION AA-AA

HOW TO ORDER:

A30 - 1 - 2 - 3 - 4 - 5 - 6

1.NO. OF CONTACT 68 80	2.CONTACT TYPE M: MALE	3.CONTACT MATERIAL B: PHOSPHOR BRONZE
4.CONTACT PLATING T: TIN PLATED S: SELECTIVE G: GOLD FLASH A: 5u" INCH GOLD B: 10u" INCH GOLD C: 15u" INCH GOLD D: 30u" INCH GOLD	5.ACCESSORIES A: W STRAIN RELIEF B: W/O STRAIN RELIEF	6.INSULATOR COLOR 1. BLACK