

## DR-TRC103-915-EV

The DR-TRC103 series evaluation kits include the radio boards, antennas and battery packs used in the DR-TRC103 series development kits. The evaluation kits can be used for initial evaluation of TRC103 radio technology and to prototype applications that will use the TRC103 RFIC. This user guide covers the following evaluation kits:

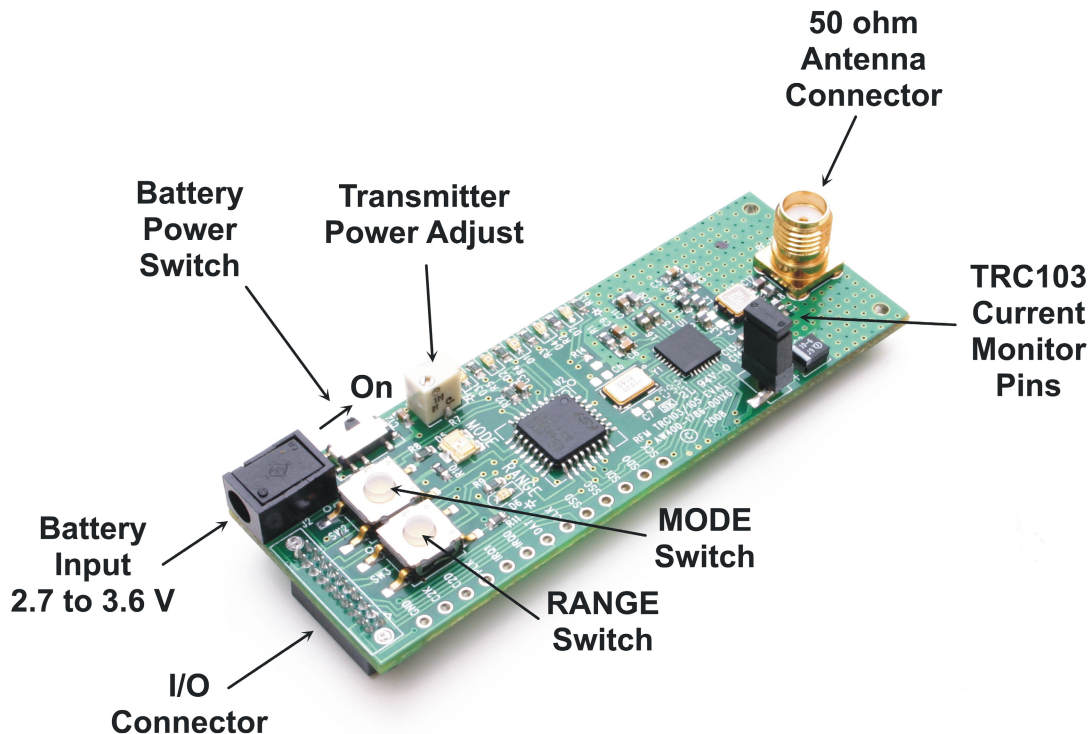
Evaluation Kit Part Number	Operating Frequency Range
DR-TRC103-868-EV	863 - 870 MHz
DR-TRC103-915-EV	902 - 928 MHz
DR-TRC103-950-EV	950 - 960 MHz

**Table 1 - Evaluation Kit Part Numbers**

Each DR-TRC103 evaluation kit contains the following items:

- 2 DR-TRC103 Evaluation Boards
- 2 Dipole Antennas
- 2 AA Battery Packs
- 4 AA Batteries

The DR-TRC103 radio board connectors and user controls are shown in Figure 1.



**Figure 1 - DR-TRC103 Radio Board Connectors and Controls**