

PLEASE CHECK WWW.MOLEX.COM FOR LATEST PART INFORMATION

Part Number: [0439382201](#)
Status: **Active**
Overview: [minifit_sr](#)
Description: 10.00mm (.393") Pitch Mini-Fit Sr.™ Plug Housing, Dual Row, Panel Mount, 6 Circuits

Documents:

[3D Model](#) [Product Specification PS-42815-001 \(PDF\)](#)
[Drawing \(PDF\)](#) [RoHS Certificate of Compliance \(PDF\)](#)

Agency Certification

CSA	LR19980
TUV	R72081037
UL	E29179

General

Product Family	Crimp Housings
Series	43938
Overview	minifit_sr
Product Name	Mini-Fit Sr.™

Physical

Circuits (maximum)	6
Color - Resin	Black
Flammability	94V-0
Gender	Male
Glow-Wire Compliant	No
Material - Resin	Polyester
Number of Rows	2
Packaging Type	Bag
Panel Mount	Yes
Pitch - Mating Interface (in)	0.394 In
Pitch - Mating Interface (mm)	10.00 mm
Stackable	No
Temperature Range - Operating	-40°C to +105°C

Electrical

Current - Maximum per Contact	50A
-------------------------------	-----

Material Info

Reference - Drawing Numbers

Packaging Specification	PK-45286-002
Product Specification	PS-42815-001, RPS-42815-001, RPS-42815-012, RPS-42815-013, RPS-42815-015
Sales Drawing	SD-43938-003

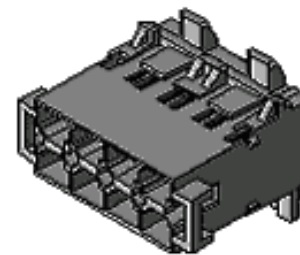


image - Reference only

Series

EU RoHS

**ELV and RoHS
Compliant**
**REACH SVHC
Contains SVHC: No**
**Halogen-Free
Status**

China RoHS



Not Halogen-Free
**Need more information on product
environmental compliance?**

Email productcompliance@molex.com
For a multiple part number RoHS Certificate of Compliance, [click here](#)

Please visit the [Contact Us](#) section for any non-product compliance questions.

Search Parts in this Series

[43938Series](#)

Mates With

[43914](#)

Use With

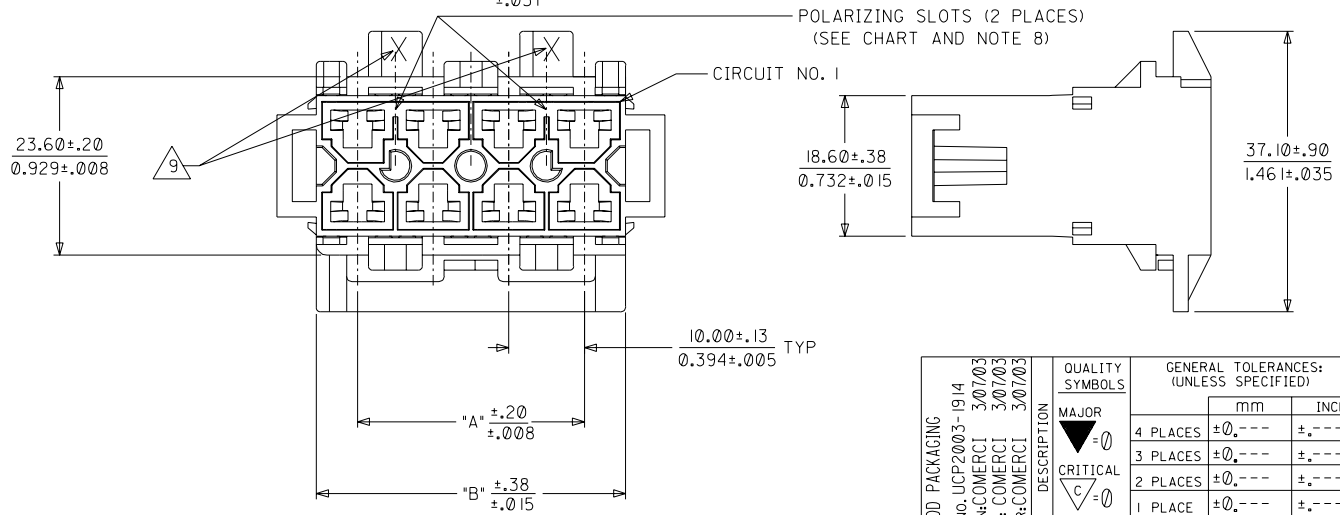
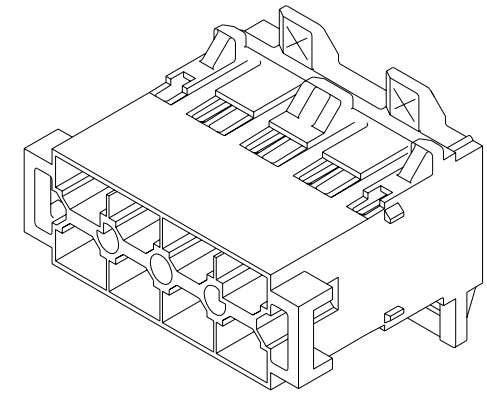
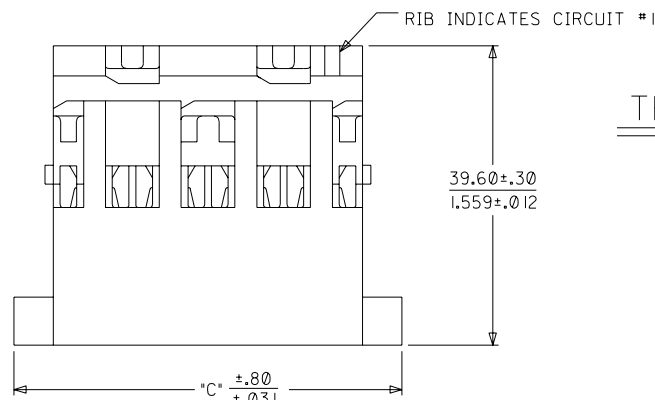
[43980-1001](#) Mini-Fit Sr.™ Daul Row TPA™

MATERIAL NUMBER	POSITION NUMBER	DIM. "A"	DIM. "B"	DIM. "C"	QUANTITY OF POLARIZING SLOTS	PANEL THICKNESS ACCOMMODATED
43938-2201	6	20.00 .787	30.90 1.216	41.30 1.626	1	1.30/1.76 .051/.069
43938-2202	8	30.00 1.181	40.90 1.610	51.30 2.020	2	
43938-2203	10	40.00 1.575	50.90 2.004	61.30 2.413	2	
43938-2204	12	50.00 1.968	60.90 2.398	71.30 2.807	2	
43938-2205	14	60.00 2.362	70.90 2.791	81.30 3.201	2	

NOTES:

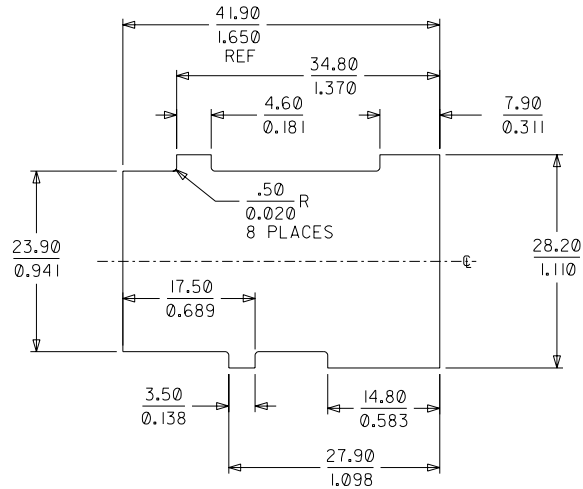
1. MATERIAL: UNFILLED POLYESTER, U.L. 94V-0, COLOR: BLACK
2. FINISH: NONE
3. PRODUCT SPEC.: PS-42815-001
4. THIS PART IS DESIGNED TO USE MALE CRIMP TERMINAL #42817.
5. THIS PART IS DESIGNED TO USE T.P.A. #43980.
6. THIS PART IS DESIGNED TO MATE WITH RECEPTACLE HOUSING #43914.
7. SEE SHEET 2 FOR PANEL CUT-OUT DETAILS.
8. POLARIZING SLOTS TO BE LOCATED BETWEEN CIRCUITS ON EITHER END OF HOUSING OF THE CIRCUIT I ROW AS SHOWN.
EXCEPTION: THE 6 CIRCUIT HOUSING WILL HAVE A SINGLE SLOT ON THE CIRCUIT I END ONLY.
9. AN "X" IS ENGRAVED AS SHOWN, TO DESIGNATE THAT THE PART ACCOMMODATES A 1.30/1.76 PANEL THICKNESS.
10. FOR PACKAGING INFORMATION SEE PK-43938-001.

THIS PRODUCT MUST NOT BE USED WITHOUT THE T.P.A.

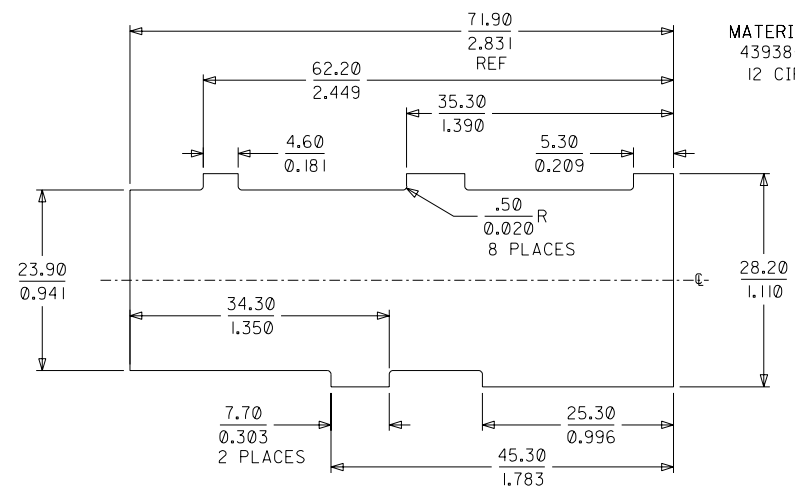


ADD PACKAGING EC NO. UCP2003-1914 DRWG: COMERC 30703 CHK: COMERC 30703 APPR: COMERC 30703	QUALITY SYMBOLS MAJOR $\nabla=0$ CRITICAL $\nabla=C=0$	GENERAL TOLERANCES: (UNLESS SPECIFIED) mm INCH 4 PLACES ±0.--- ±.--- 3 PLACES ±0.--- ±.--- 2 PLACES ±0.--- ±.--- 1 PLACE ±0.--- ±.---	SCALE 2 : 1 DESIGN UNITS <input checked="" type="checkbox"/> mm <input type="checkbox"/> INCH	DRAWN BY & DATE COMERC 99/12/06 CHECKED BY & DATE COMERC 99/12/06 APPROVED BY & DATE COMERC 99/12/06	DIMENSIONS: <input checked="" type="checkbox"/> mm <input type="checkbox"/> INCH <input type="checkbox"/> mm ONLY SHT REV I AI REVISE ON CAD ONLY	
	DESCRIPTION TITLE: DUAL ROW PANEL MT. PLUG, FOR THIN PANELS MINI-FIT SR. SERIES	MOLEX INCORPORATED		CAD FILENAME	MATERIAL NO. SEE CHART DRAWING NO. SD-43938-003	SHEET NO. 1 OF 2
	REV AI	DRAFT WHERE APPLICABLE MUST REMAIN WITHIN DIMENSIONS	THIS DRAWING CONTAINS INFORMATION THAT IS PROPRIETARY TO MOLEX INCORPORATED AND SHOULD NOT BE USED WITHOUT WRITTEN PERMISSION.			SIZE C

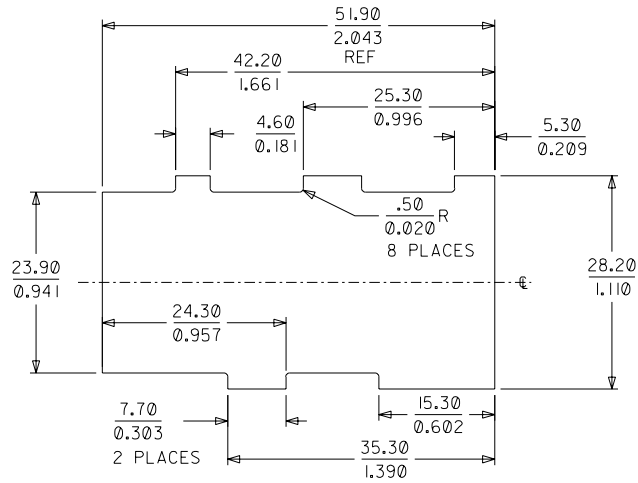
MATERIAL NO.:
43938-2201
6 CIRCUIT



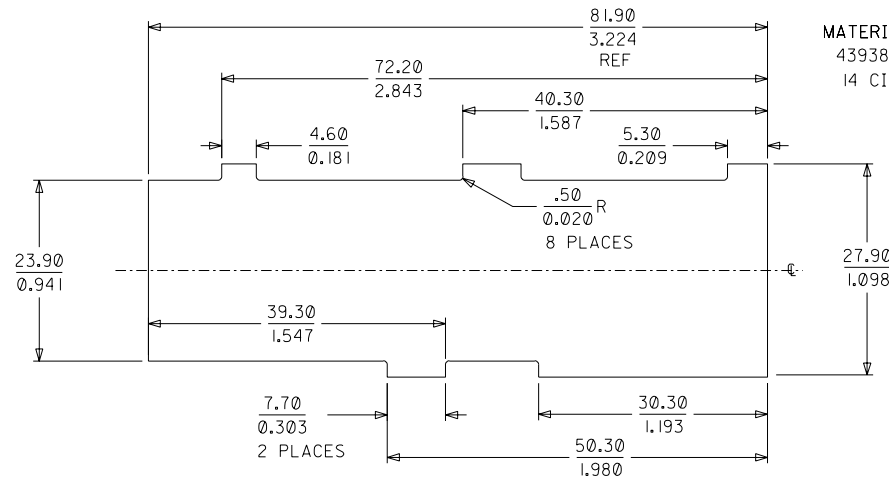
MATERIAL NO.:
43938-2204
12 CIRCUIT



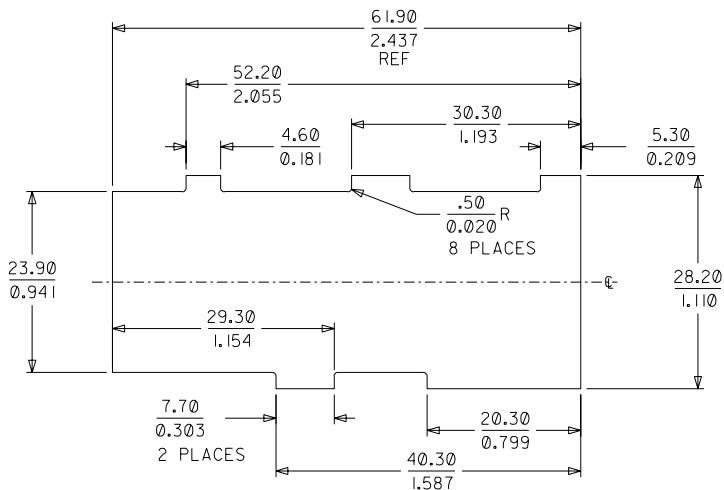
MATERIAL NO.:
43938-1102
43938-2202
8 CIRCUIT



MATERIAL NO.:
43938-2205
14 CIRCUIT



MATERIAL NO.:
43938-2203
10 CIRCUIT



PANEL OPENINGS SHOWN FROM OUTSIDE OF BOX.
SEE CHART FOR PANEL THICKNESS.

SEE SHEET 1 EC NO. UCP2003-1914 DRAWING: COMERC 300703 CHK: COMERC 300703 APPR: COMERC 300703	DESCRIPTION MAJOR CRITICAL	QUALITY SYMBOLS	GENERAL TOLERANCES: (UNLESS SPECIFIED)	SCALE 2 : 1	DESIGN UNITS <input checked="" type="checkbox"/> mm <input type="checkbox"/> INCH	DIMENSIONS: <input checked="" type="checkbox"/> mm <input type="checkbox"/> INCH <input type="checkbox"/> mm ONLY	SHT	REV
		MAJOR CRITICAL	mm INCH	DRAWN BY & DATE COMERC 99/12/06	THIRD ANGLE PROJECTION	TITLE: DUAL ROW PANEL MT. PLUG, FOR THIN PANELS MINI-FIT SR. SERIES	REVISE ON CAD ONLY	
AI	REV	4 PLACES ±0.--- ±.---	3 PLACES ±0.--- ±.004	CHECKED BY & DATE COMERC 99/12/06	APPROVED BY & DATE COMERC 99/12/06	MATERIAL NO. SEE CHART		DRAWING NO. SD-43938-003
		2 PLACES ±0.10 ±.---	1 PLACE ±0.--- ±.---	CAD FILENAME		SHEET NO. 2		
DRAFT WHERE APPLICABLE MUST REMAIN WITHIN DIMENSIONS		ANGULAR: ± --°		THIS DRAWING CONTAINS INFORMATION THAT IS PROPRIETARY TO MOLEX INCORPORATED AND SHOULD NOT BE USED WITHOUT WRITTEN PERMISSION.				SIZE C