

SL-120-G-10

(2,54 mm) .100"

SL, SDL SERIES

# LOW PROFILE MACHINED SOCKET STRIPS

## FEATURES

- Achieve low profile without sacrificing insertion depth!
- Choice of four precision screw machined lead styles.
- Exceptionally low profile, down to (2,11 mm) .083" off of board.
- Mates with BBL or BDL for board stacking spaces down to (3,89 mm) .153"

## SPECIFICATIONS

For complete specifications see [www.samtec.com?SL](http://www.samtec.com?SL) or [www.samtec.com?SDL](http://www.samtec.com?SDL)

**Insulator Material:** Black Glass Filled Polyester

**Contact/Shell Materials:** BeCu/Brass

**Plating:**

Au or Sn over

50µ" (1,27 µm) Ni

**Operating Temp Range:**

-55°C to +125°C with Gold

-55°C to +105°C with Tin

**Contact Resistance:**

10 mΩ

**Insertion Force:**

(Single contact only)

Standard =

9 oz (2,50 N) avg.,

16 oz (4,45 N) max

((0,43 mm) .017" DIA probe)

Low Insertion Force =

2.5 oz (0,70 N) avg.,

5.5 oz (1,53 N) max

((0,43 mm) .017" DIA probe)

**Withdrawal Force:**

(Single contact only)

Standard =

2.5 oz (0,70 N) avg.,

1.5 oz (0,42 N) min

((0,43 mm) .017" DIA probe)

Low Insertion Force =

2.0 oz (0,56 N) avg.,

0.5 oz (0,14 N) min

((0,43 mm) .017" DIA probe)

**RoHS Compliant:** Yes

**Lead-Free Solderable:**

Wave only

## RECOGNITIONS

For complete scope of recognitions see [www.samtec.com/quality](http://www.samtec.com/quality)



**Note:** Some lengths, styles and options are non-standard, non-returnable.

**Mates with:** TS, TD, HTS, BBS, BBD, BBL, BDL, BHS

**TYPE STRIP**

**1**

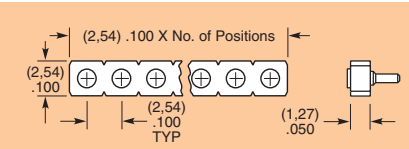
**NO. PINS PER ROW**

**PLATING OPTION**

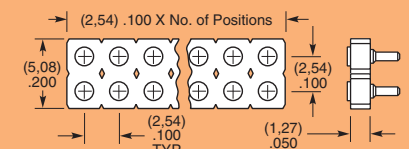
**LEAD STYLE**

**SL**  
= Single Row Low Profile Socket Strip

**SDL**  
= Double Row Low Profile Socket Strip



01 thru 32



01 thru 36

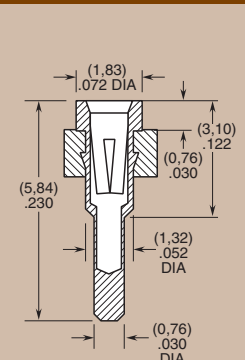
**-G**  
= 30µ" (0,76 µm) Gold contact, 10µ" (0,25µm) Gold shell

**-T**  
= 30µ" (0,76 µm) Gold contact, Tin shell

**-TT**  
= Tin contact and shell (LIF not available)

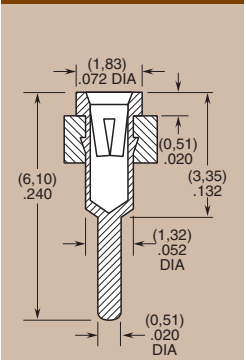
Low Insertion Force (LIF) Available

**-10**  
Low Profile (Hollow Leg)



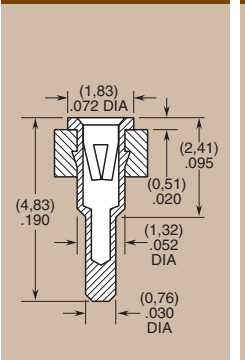
Contact Length = (2,11 mm) .083"  
Lead DIA Accepted = (0,38 mm) .015" to (0,51 mm) .020"  
Insertion Depth = (2,67 mm) .105" to (4,32 mm) .170"  
Style 10 Component Part No. = SC-3P1

**-11**  
Low Profile (Standard Mount)  
For LIF specify -31



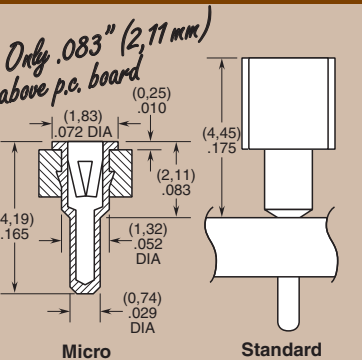
Contact Length = (1,58 mm) .062"  
Lead DIA Accepted = (0,41 mm) .016" to (0,53 mm) .021"  
Insertion Depth = (2,03 mm) .080" to (2,67 mm) .105"  
Style 11 Component Part No. = SC-4P1  
Style 31 Component Part No. = EZ-4P1

**-12**  
Micro-Socket (Hollow Leg)



Contact Length = (1,58 mm) .062"  
Lead DIA Accepted = (0,41 mm) .016" to (0,51 mm) .020"  
Insertion Depth = (1,65 mm) .065" to (3,81 mm) .150"  
Style 12 Component Part No. = SC-5P1

**-19**  
Micro-Socket (Hollow Leg)  
For LIF specify -39



Contact Length = (1,58 mm) .062"  
Lead DIA Accepted = (0,41 mm) .016" to (0,51 mm) .020"  
Insertion Depth = (1,65 mm) .065" to (3,56 mm) .140"  
Style 19 Component Part No. = SC-8P1  
Style 39 Component Part No. = EZ-8P1

Due to technical progress, all designs, specifications and components are subject to change without notice.

WWW.SAMTEC.COM