

1. Part No. Expression:

WI453232 - 2R2KF

(a) (b) (c) (d)(e)

a) Series Code

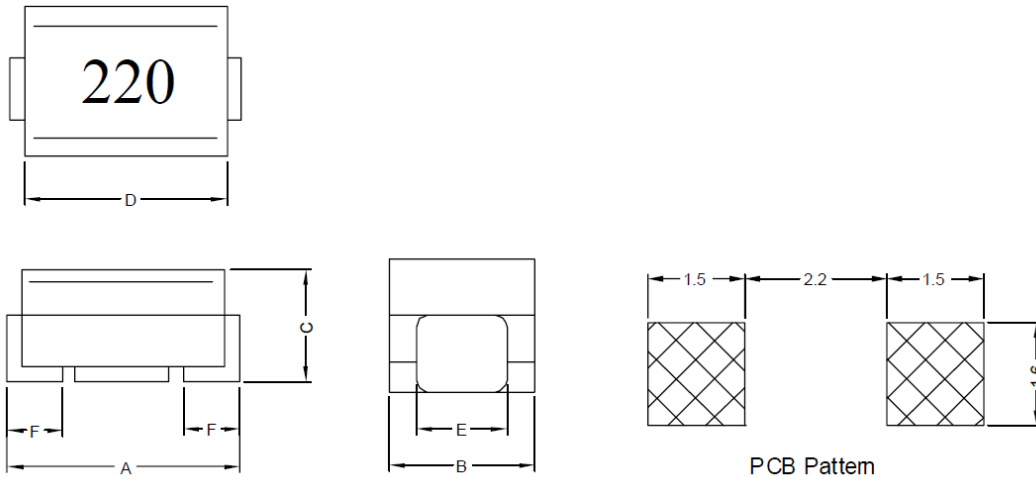
b) Dimension Code

c) Inductance Code

d) Tolerance Code

e) F: RoHS Compliant

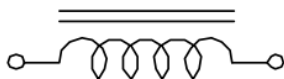
2. Configuration & Dimensions :



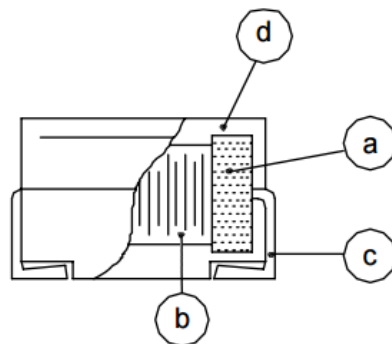
Unit: mm

A	B	C	D	E	F
4.5±0.3	3.2±0.2	3.2±0.2	4.2±0.2	1.2±0.2	1.0±0.2

3. Schematic



4. Material List



(a) Core

(b) Wire

(c) Terminal

(d) Capsulate

NOTE: Specifications subject to change without notice. Please check our website for latest information.



5. General Specification:

- a) Operating Temp. : -40°C ~ +125°C
- b) Storage Temp. : -40°C ~ +125°C
- c) Rated Current will cause the inductance drop within 10%

6. Electrical Characteristics

Part No	Inductance (uH)	Tolerance	Q Min.	Test Frequency (MHz)	SRF (MHz) Min.	DCR (Ω) Max.	IDC (mA) Max.
WI453232-R10□F	0.10	M	35	25.2	300	0.18	800
WI453232-R12□F	0.12	M	35	25.2	280	0.20	770
WI453232-R15□F	0.15	M	35	25.2	250	0.22	730
WI453232-R18□F	0.18	M	35	25.2	220	0.24	700
WI453232-R22□F	0.22	M	40	25.2	200	0.25	665
WI453232-R27□F	0.27	M	40	25.2	180	0.26	635
WI453232-R33□F	0.33	M	40	25.2	165	0.28	605
WI453232-R39□F	0.39	M	40	25.2	150	0.30	575
WI453232-R47□F	0.47	M	40	25.2	145	0.32	545
WI453232-R56□F	0.56	M	40	25.2	140	0.36	520
WI453232-R68□F	0.68	M	40	25.2	135	0.40	500
WI453232-R82□F	0.82	M	40	25.2	130	0.45	475
WI453232-1R0□F	1.0	K	50	7.96	100	0.50	450
WI453232-1R2□F	1.2	K	50	7.96	80	0.55	430
WI453232-1R5□F	1.5	K	50	7.96	70	0.60	410
WI453232-1R8□F	1.8	K	50	7.96	60	0.65	390
WI453232-2R2□F	2.2	K	50	7.96	55	0.70	380
WI453232-2R7□F	2.7	K	50	7.96	50	0.75	370
WI453232-3R3□F	3.3	K	50	7.96	45	0.80	355
WI453232-3R9□F	3.9	K	50	7.96	40	0.90	330
WI453232-4R7□F	4.7	K	50	7.96	35	1.00	315
WI453232-5R6□F	5.6	K	50	7.96	33	1.10	300
WI453232-6R8□F	6.8	K	50	7.96	27	1.20	285
WI453232-8R2□F	8.2	K	50	7.96	25	1.40	270
WI453232-100□F	10	K	50	2.52	20	1.60	250
WI453232-120□F	12	K	50	2.52	18	2.00	225
WI453232-150□F	15	K	50	2.52	17	2.50	200

NOTE: Specifications subject to change without notice. Please check our website for latest information.

Part No	Inductance (uH)	Tolerance	Q Min.	Test Frequency (MHz)	SRF (MHz) Min.	DCR (Ω) Max.	IDC (mA) Max.
WI453232-180□F	18	K	50	2.52	15	2.80	190
WI453232-220□F	22	K	50	2.52	13	3.20	180
WI453232-270□F	27	K	50	2.52	12	3.60	170
WI453232-330□F	33	K	50	2.52	11	4.00	160
WI453232-390□F	39	K	50	2.52	10	4.50	150
WI453232-470□F	47	K	50	2.52	10	5.00	140
WI453232-560□F	56	K	50	2.52	9	5.50	135
WI453232-680□F	68	K	50	2.52	9	6.00	130
WI453232-820□F	82	K	50	2.52	8	7.00	120
WI453232-101□F	100	K	40	0.796	8	8.00	110
WI453232-121□F	120	K	40	0.796	6	8.00	110
WI453232-151□F	150	K	40	0.796	5	9.00	105
WI453232-181□F	180	K	40	0.796	5	9.50	102
WI453232-221□F	220	K	40	0.796	4	10.00	100
WI453232-271□F	270	K	40	0.796	4	12.00	92
WI453232-331□F	330	K	40	0.796	3.5	14.00	85
WI453232-391□F	390	K	40	0.796	3.0	18.00	80
WI453232-471□F	470	K	40	0.796	3.0	26.00	62
WI453232-561□F	560	K	30	0.796	3.0	30.00	50
WI453232-681□F	680	K	30	0.796	3.0	30.00	50
WI453232-821□F	820	K	30	0.796	2.5	35.00	30
WI453232-102□F	1000	K	20	2.252	2.5	40.00	30

Tolerance: K = $\pm 10\%$

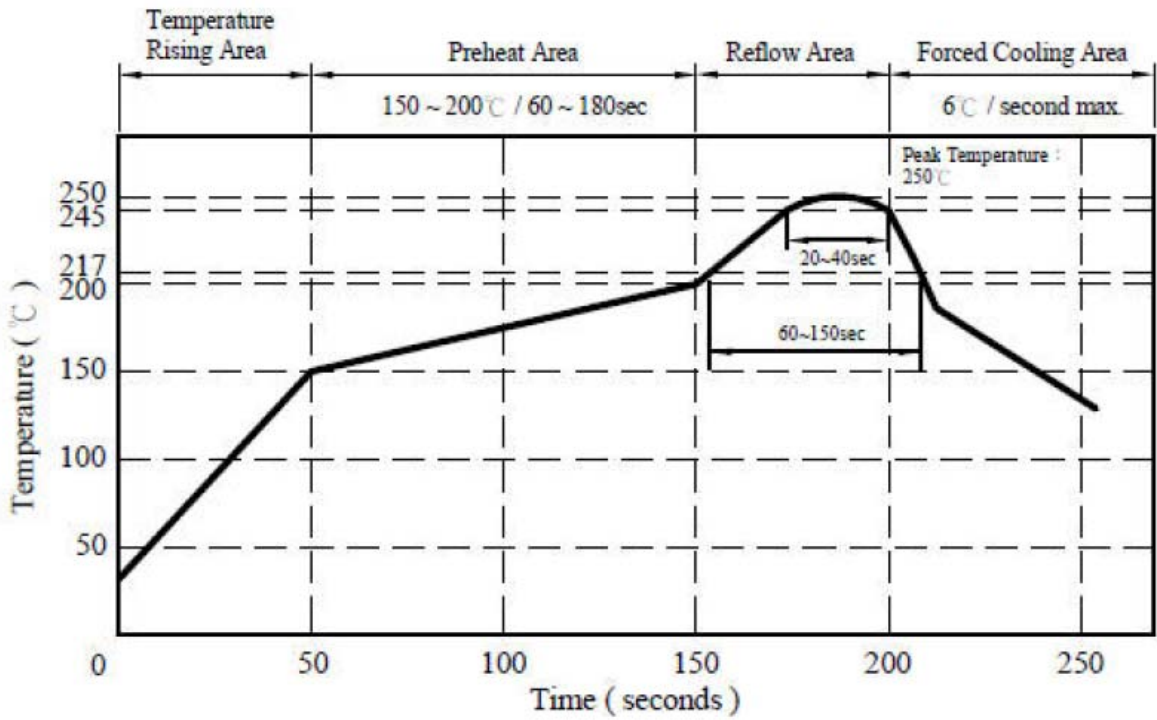
M = $\pm 20\%$

NOTE: Specifications subject to change without notice. Please check our website for latest information.



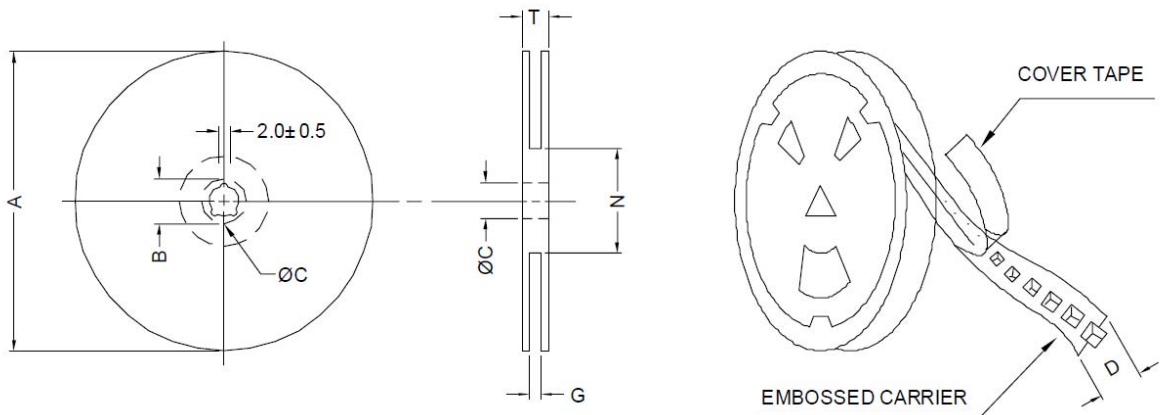
7. Soldering

7-1 Reflow Soldering



8. Packaging Information

8-1 Reel Dimension

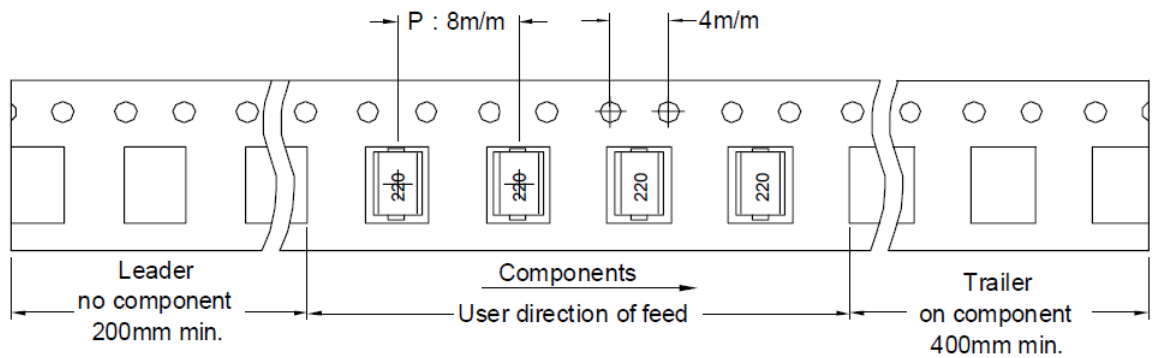


* CARRIER TAPE WIDTH : D

A(mm)	B(mm)	C(mm)	D(mm)	G(mm)	N(mm)	T(mm)
178	21±0.8	13	12	14 Max.	50 Min.	16.5

NOTE: Specifications subject to change without notice. Please check our website for latest information.

8-2 Tape Dimension



Remarks:

There is no differentiation or directions of polarity (marking) in the packaging method.

8-3 Packaging Quantity

Series	WI453232
Reel	500pcs
Carton (410*390*220mm)	20,000pcs

NOTE: Specifications subject to change without notice. Please check our website for latest information.

