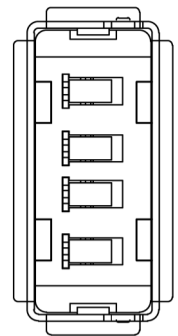
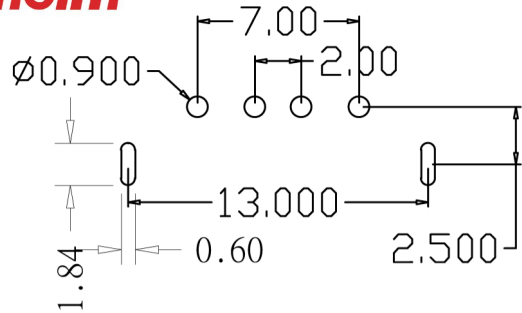


Kinghelm®

| | | | | | |
|------|--------------|------|------|---------|----|
| ?? | ?? | ?? | ?? | ?? | ?? |
| Mapx | Modification | Date | Draw | Approve | |



规格说明: Specifications:

1. 额定电流: Current Rating
1.5A/contact terminal
2. 额定电压: Voltage Rating
30V DC
3. 接触阻抗: Contact Resistance
30 milliohms MAX
4. 耐电压: Dielectric Withstanding Voltage:
500 V AC AT Sea Level
5. 绝缘阻抗: Insulation Resistance:
1000MEGA ohms MIN

物理性能: Mechanical:

1. 插拔力: Connector Mate and Unmate Force
Mate force: 3.57kgf(MAX)
Unmate force: 1.02kgf(MIN)
2. 端子保持力: Terminal Retention
1.0kgf(MIN)

1. 塑胶: Housing:
Hing Temperature Thermoplastics,
2. 端子: Contact: Copper Alloy C2680
3. 外壳: Shell: Copper Alloy C2680/SPCC

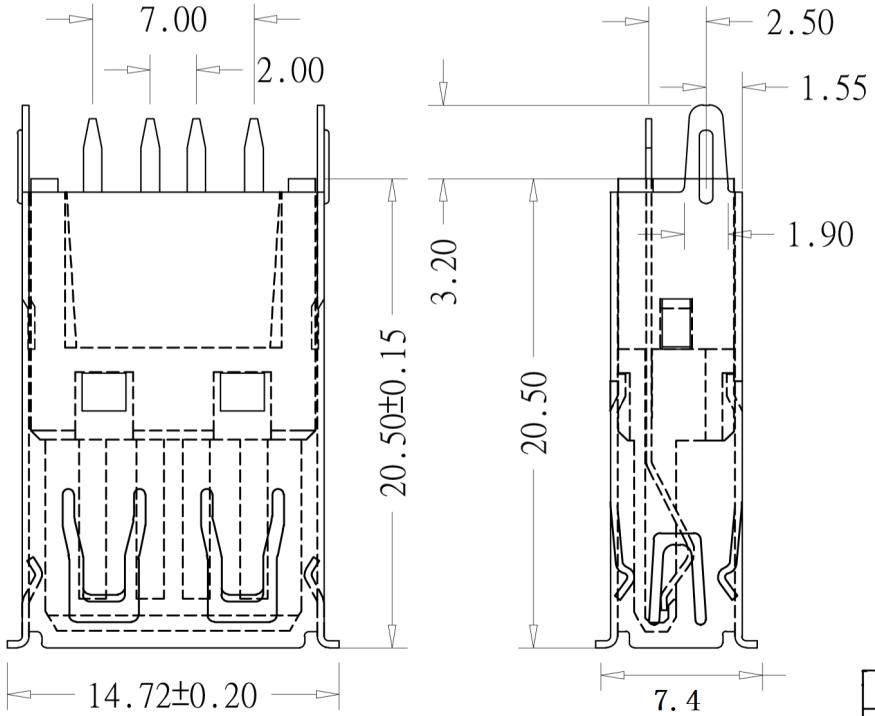
1. 端子: Contact: Plated Gold in Mating Area
Tin On Solder Talls

端子四周镀50U”(MIN)锡, 镀金区域镀100-200U”镀金1U”

铜壳四周镀80U”(MIN)锡

Nickel Plating

A
B
C
D
E
F



| | | | | | | | |
|-------------------------------------|--------|--------------------|-------------|-----|----------------|------------|-------------|
| 成品图 MANUFACTURE DWG | | 深圳市金航标电子有限公司 | | | WWW.BDS666.COM | | |
| 公差一览表 TOLERANCE UNLESS OTHERWISE | | KH-AF180ZJ-20.5-JB | | | 0755-83044319 | | |
| .X±0.15 | X.±5° | 日期 DATE | 单位 UNIT | MM | 制图 DRAWING | DWG NO. | |
| XX±0.05 | .X±2° | 审核 CHECKED | 比例 SCALE | 1:1 | 设计 DESIGN | 品名 NAME | 短体母座 |
| XXX±0.02 | .XX±1° | 核准 APPROVE | 角法 VIEW | ⊕ ⊖ | | 版本 VER | 页数 SHEET |

1 2 3 4 5 6 7 8