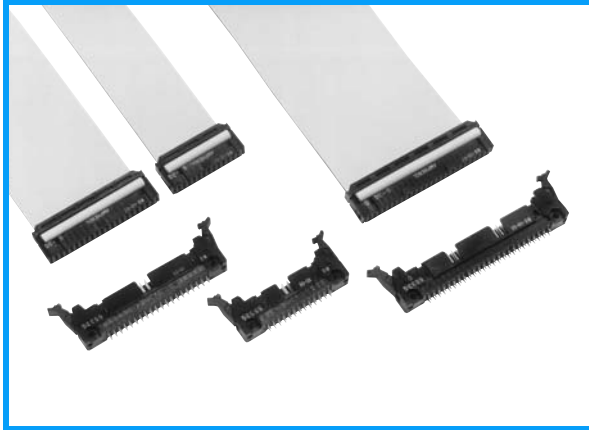


MIL-DTL-83503 Compatible URecognized (File NO.E72124)

C
FRC5



- FRC5 series is a family of DDK FRC series delivering laborsaving feature in cable termination, and it meets the MIL Standard.

FEATURE

- UL recognized component (File NO. E72124)
- MIL-DTL-83503 compatible
- The header is of a double-wall type which prevents completely mis-mating.
- Number of contacts : 10, 14, 16, 20, 26, 30, 34, 40, 50, 60, 64

SPECIFICATION

Voltage rating	250V AC (rms)
Current rating	1A/contact
Dielectric withstanding voltage	500V AC (rms) for 1 minute
Insulation resistance	1000M Ω min. at 500V DC
Contact resistance	15M Ω max.
Operating temperature	-55°C to +105°C
Applicable cable	AWG#28 (stranded, solid) AWG#30 (solid)

MATERIAL/FINISH

Socket	Housing	PBT resin (UL94V-0)/Black
	Cover	PBT resin (UL94V-0)/Black
	Contact	Copper alloy/Gold over Nickel plating
	Strain relief	PBT resin (UL94V-0)/Black
Header	Block	PBT resin (UL94V-0)/Black
	Contact	Copper alloy/Gold over Nickel plating
	Lock	PBT resin (UL94V-0)/Black
	Spring Pin	Stainless Steel

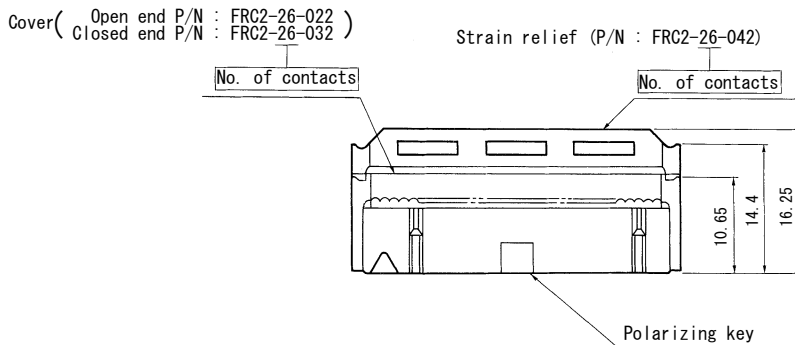
Socket

FRC5-A026-3TOS

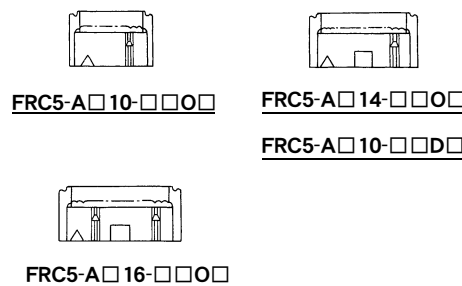
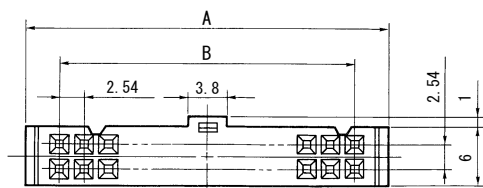
CONNECTOR STYLE A : Socket		STRAIN RELIEF N : without strain relief (for header with short locks) S : with strain relief (for header with long locks)
COVER STYLE (Note) O : Open end Cover A : Closed end Cover		POLARIZING KEY O : 10 NO key 14, 16, 20, 26, 30, 34, 40 ... 1 key 50, 60, 64 2 key (H=22.86mm) A : 50, 60, 64 1 key C : 60 2 keys (H=27.94mm) D : 10 1 key
NO. OF CONTACTS 10, 14, 16, 20, 26, 30, 34, 40, 50, 60, 64		CONTACT REAR PLATING T : Pb-Sn plating.
CONTACT PLATING 1 : 0.8 μ Gold over Nickel 2 : 0.4 μ Gold over Nickel 3 : Gold flash over Nickel		



Note : The cover for 64 pins is an open end type only; a closed end type is not available

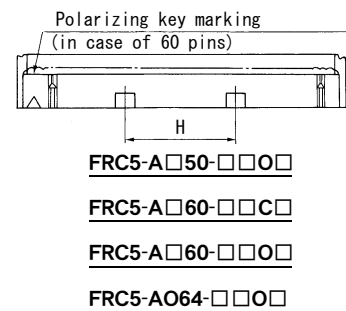


NO. OF CONTACTS	A	B
10	17.27	10.16
14	22.35	15.24
16	24.89	17.78
20	29.97	22.86
26	37.59	30.48
30	42.67	35.56
34	47.75	40.64
40	55.37	48.26
50	68.07	60.96
60	80.77	73.66
64	85.85	78.74



FRC5-A□20~A□40-□□□□

FRC5-A□50~A□60-□□A□



Header

FRC5-C26L53T-OL (D20)

NO.OF CONTACTS
10, 14, 16, 20, 26, 30, 34, 40, 50, 60, 64

CONTACT TAIL STYLE
L : Right angle
S : Straight

CONTACT TAIL LENGTH
4 : 3.94mm
5 : 2.9mm... standard

CONTACT PLATING
1 : 0.8 μ Gold over Nickel
2 : 0.4 μ Gold over Nickel
3 : Gold flash over Nickel

CONTACT TAIL PLATING
T : Pb/sn plating

DEVIATION
No designation : With only 1 surface gold (standard) plating on the mating area.
(D20): With 4 surface gold plating on the mating area.

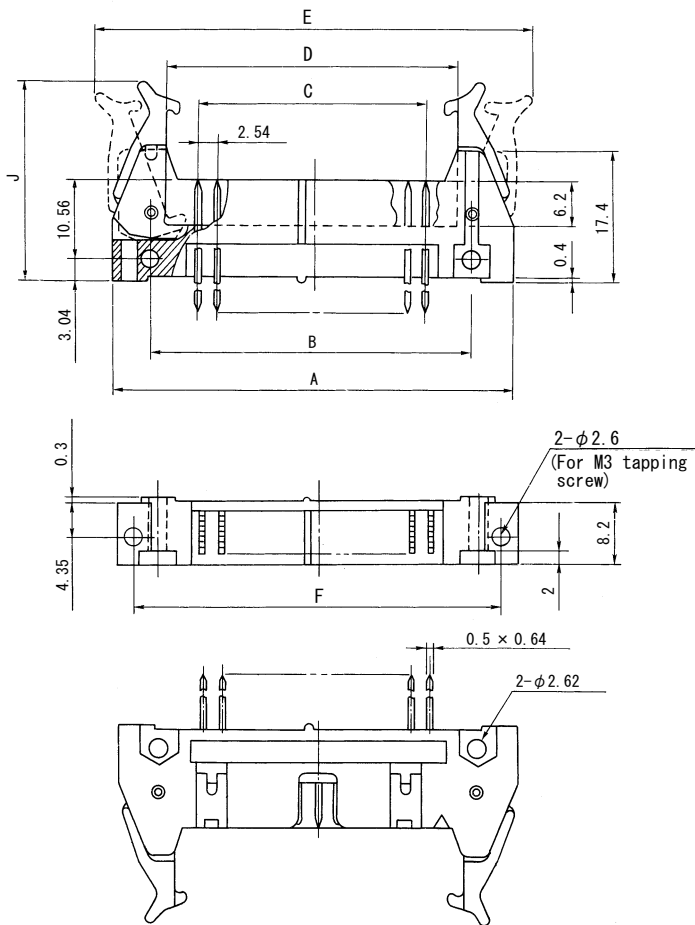
LOCK LEVER
L : Long(for socket with strain relief)
S : Short(for socket without strain relief)
N : No lock

KEY SLOT
O : 10 No key
14, 16, 20, 26, 30, 34, 40 · 1 key
50, 60, 64 2 keys (H=22.86mm)
A : 50, 60, 64 1 key
C : 60 2 keys (H=27.94mm)
D : 10 1 key

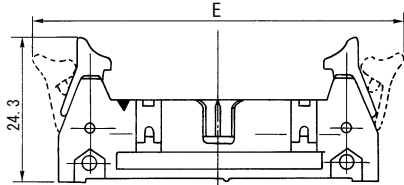
NO. OF CONTACTS	A	B	C	D	E		F
					short	long	
10	32.00	21.84	10.16	17.25	42.4	45.6	27.94
14	37.08	26.92	15.24	22.60	47.5	50.7	33.02
16	39.62	29.46	17.78	25.14	50.0	53.2	35.56
20	44.70	34.54	22.86	30.22	55.1	58.3	40.64
26	52.32	42.16	30.48	37.84	62.7	65.9	48.26
30	57.40	47.24	35.56	42.92	67.8	71.0	53.34
34	62.48	52.32	40.64	48.00	72.9	76.1	58.42
40	70.10	59.94	48.26	55.62	80.5	83.7	66.04
50	82.80	72.64	60.96	68.32	93.2	96.4	78.74
60	95.50	85.34	73.66	81.02	105.9	109.1	91.44
64	100.58	90.42	78.74	86.10	111.0	114.2	96.52



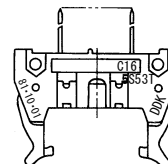
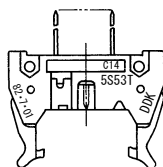
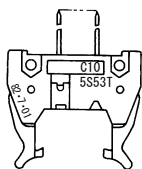
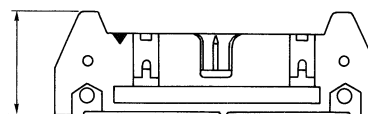
Header with long locks



Header with short locks



Header without a lock



FRC5-C10□□□□-O□

FRC5-C14□□□□-O□

FRC5-C16 to FRC5-C40□□□□-O□

FRC5-C10□□□□-D□

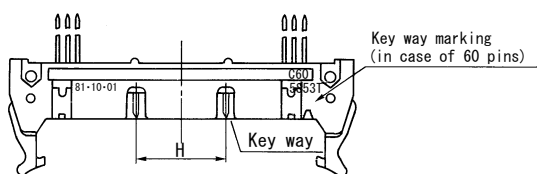
FRC5-C50 to FRC5-C60□□□□-A□

FRC5-C50□□□□-O□

FRC5-C60□□□□-C□

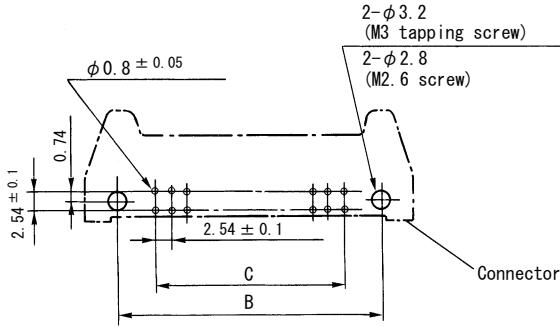
FRC5-C60□□□□-O□

FRC5-C64□□□□-O□

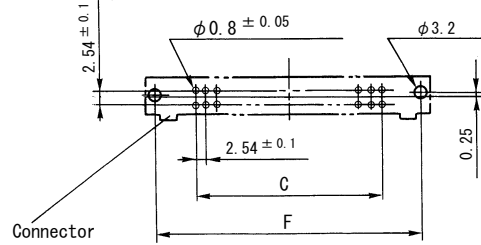


PCB Mounting Dimensions

(as Viewed from Soldering, DIP Side)



Right angle contact tail

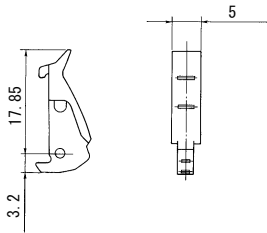


Straight contact tail

Long Lock

FRC2-01

Material···PBT resin (UL94V-0)



Spring Pin

FRC-03

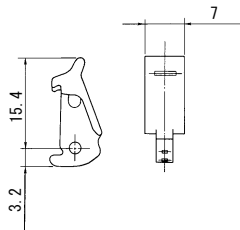
Material···Stainless steel



Short lock

FRC2-02

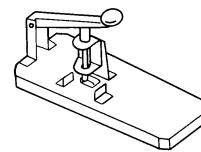
Material···PBT resin (UL94V-0)



Tool

357J-4502

Use this tool when removing or replacing the lock lever.



FRC5 Series

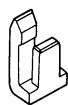
Unit : mm

■ Polarizing Key for Socket

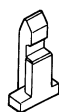
HU-005

A pair of HU-005 consists of an HU-005-1 and an HU-005-2

MATERIAL/FINISH·····Polyamide resin (UL94V-O)/natural color



HU-005-1

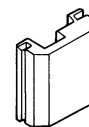


HU-005-2

■ Key Guide for Header

HU-006

MATERIAL/FINISH·····Polycarbonate resin (UL94V-O)/black



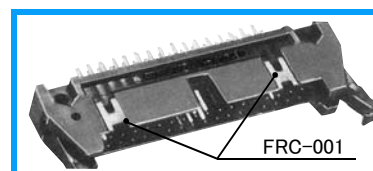
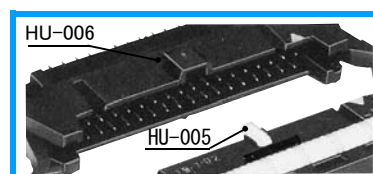
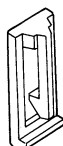
HU-006

C
FRC5

■ Polarizing Guide for Header

FRC-001

MATERIAL/FINISH·····Polyamide resin (UL94V-O)/natural color



Note : If connectors having same number of contacts are used side by side, wrong insertion between adjacent connectors can be prevented. However, these components are not applicable to 10-pin keyless, or 16-pin connectors.

Cable Assembly Tools

Cable cutting tool P/N : 357J-4256, Termination tool P/N : 357J-4674D (press)

P/N : 357J-4664N (attachment)