

PLEASE CHECK WWW.MOLEX.COM FOR LATEST PART INFORMATION

Part Number: [0554600572](#)
Status: **Active**
Description: 2.00mm (.079") Pitch Mi II™ System Wire-to-Board Header, Surface Mount, Single Row, Vertical, Lead-free, 5 Circuits

Documents:

[3D Model](#) [Product Specification PS-52484-022 \(PDF\)](#)
[Drawing \(PDF\)](#) [RoHS Certificate of Compliance \(PDF\)](#)
[Product Specification PS-51090-017 \(PDF\)](#)

General

Product Family	PCB Headers
Series	55460
Application	Wire-to-Board
Product Name	Mi II™

Physical

Breakaway	No
Circuits (Loaded)	5
Circuits (maximum)	5
Color - Resin	Natural
Durability (mating cycles max)	30
First Mate / Last Break	No
Glow-Wire Compliant	No
Guide to Mating Part	No
Keying to Mating Part	None
Lock to Mating Part	No
Material - Metal	Phosphor Bronze
Material - Plating Mating	Tin
Material - Plating Termination	Tin
Material - Resin	High Temperature Thermoplastic
Number of Rows	1
Orientation	Vertical
PCB Locator	No
PCB Retention	Yes
Packaging Type	Embossed Tape on Reel
Pitch - Mating Interface (in)	0.079 In
Pitch - Mating Interface (mm)	2.00 mm
Shrouded	Fully
Stackable	No
Temperature Range - Operating	-40°C to +105°C
Termination Interface: Style	Surface Mount

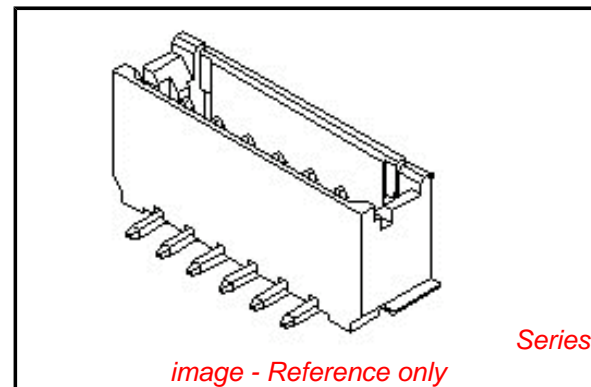
Electrical

Current - Maximum per Contact	1.5A
Voltage - Maximum	125V

Material Info

Reference - Drawing Numbers

Product Specification	PS-51090-017, PS-52484-022, RPS-51090-026
Sales Drawing	SD-55460-010, SD-55460-011



EU RoHS

**ELV and RoHS
Compliant**

REACH SVHC

Not Reviewed

Halogen-Free

Status

Not Halogen-Free

**Need more information on product
environmental compliance?**

Email productcompliance@molex.com
 For a multiple part number RoHS Certificate of
 Compliance, [click here](#)

Please visit the [Contact Us](#) section for any
 non-product compliance questions.

China RoHS

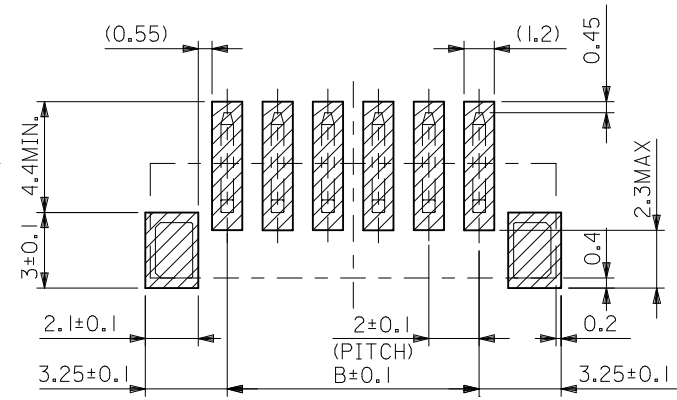
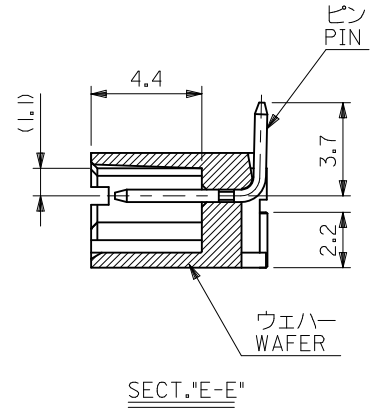
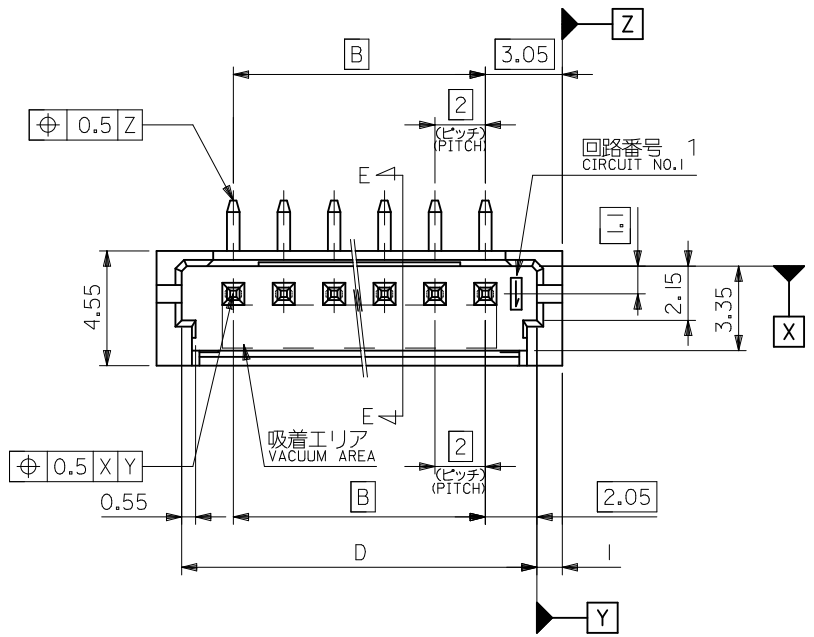


Search Parts in this Series

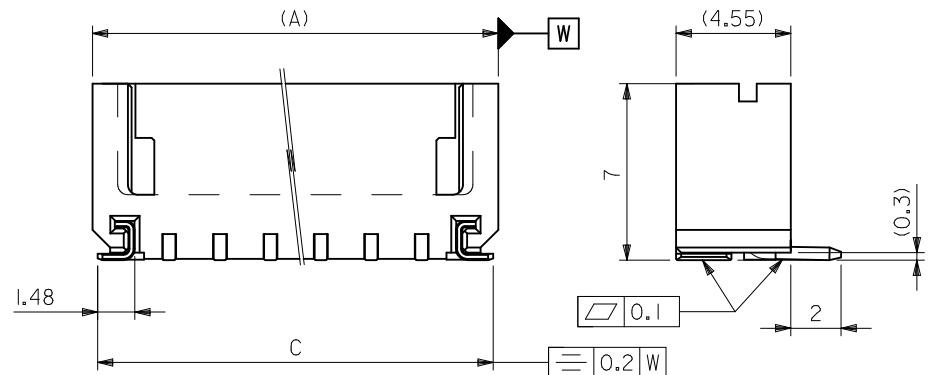
[55460Series](#)

Mates With

[52484](#) IDT Receptacle Housing. [51090](#)
 Wire-to-Board Receptacle



参考基板レイアウト
RECOMMENDED P.C.BOARD PATTERN DIM.(REF.)



32.1	33.7	28	34.1	55460-1572	15
28.1	29.7	24	30.1	-1372	13
26.1	27.7	22	28.1	-1272	12
22.1	23.7	18	24.1	-1072	10
18.1	19.7	14	20.1	-0872	8
16.1	17.7	12	18.1	-0772	7
14.1	15.7	10	16.1	-0672	6
12.1	13.7	8	14.1	-0572	5
10.1	11.7	6	12.1	-0472	4
8.1	9.7	4	10.1	-0372	3
6.1	7.7	2	8.1	55460-0272	2
D	C	B	A	EMBOSSED PACKAGE オーダー番号 ORDER No.	種数 CKTS.

注記
NOTES

1. 材質
MATERIAL
ウェハー: PA (UL94V-0)
WAFER : PA (UL94V-0)
ピン : 黄銅 (口0.5), 銅下地錫メッキ
PIN : BRASS(0.5), TIN OVER COPPER PLATING
金具 : リン青銅(+0.25), ニッケル下地錫メッキ
NAIL : PHOSPHOR BRONZE(+0.25), TIN OVER NICKEL PLATING
2. 嵌合相手: 51090, 52484 シリーズ
MATE WITH 51090, 52484 SERIES.
3. 本製品は 55460-***10 の鉛フリー品である。
THIS PRODUCT IS LEAD FREE OF 55460-***10.
4. ELV AND RoHS COMPLIANT.

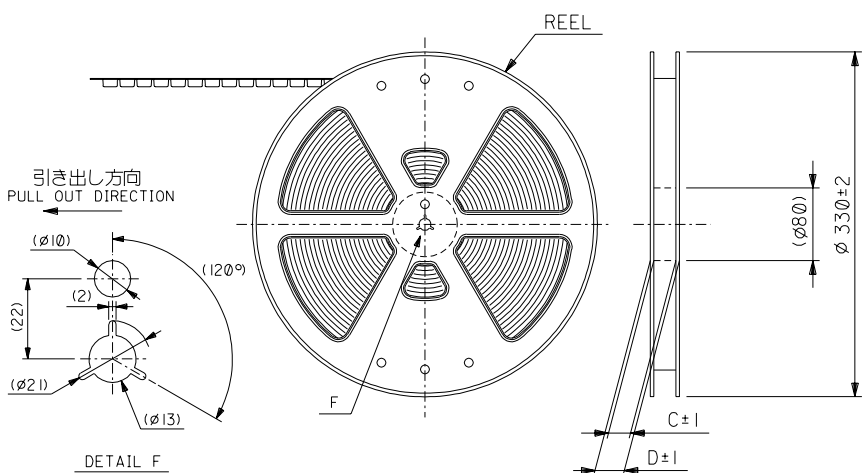
REVISED	EC NO: J2009-1664	2008/07/09	GENERAL TOLERANCES (UNLESS SPECIFIED)
	DRWN: YA0YAGI	2010/03/26	10 UNDER ±0.2
	CHKD: HATSUMOTO	2010/03/26	10 OVER 30 UNDER ±0.25
	APPR: NUKITA	2010/03/26	30 OVER ±0.3
REV	DESCRIPTION	ANGULAR ±3 °	DRAFT WHERE APPLICABLE MUST REMAIN WITHIN DIMENSIONS

DIMENSION STYLE MM ONLY		SCALE ---	DESIGN UNITS METRIC	THIRD ANGLE PROJECTION	
DRAWN BY T. UENO	DATE 2004/03/29	TITLE 2.0 W/B CONN WAFER ASSY FOR SMT ST			
CHECKED BY M. SASAO	DATE 2004/03/29	MOLEX INCORPORATED			
APPROVED BY M. SASAO	DATE 2004/03/29	MATERIAL NO.	DOCUMENT NO.	SHEET NO.	
SEE TABLE		SD-55460-010		1 OF 1	
THIS DRAWING CONTAINS INFORMATION THAT IS PROPRIETARY TO MOLEX INCORPORATED AND SHOULD NOT BE USED WITHOUT WRITTEN PERMISSION					

8 7 6 5 4 3 2 1

DWG. NO. SD-55460-011

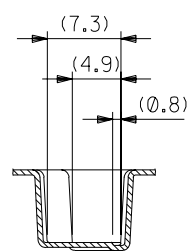
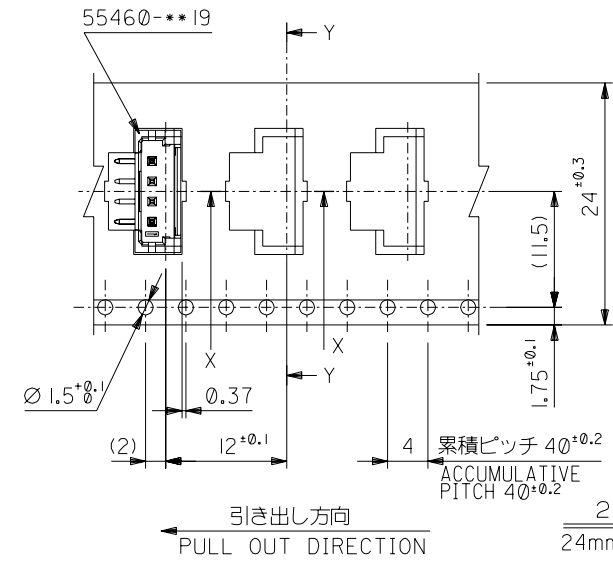
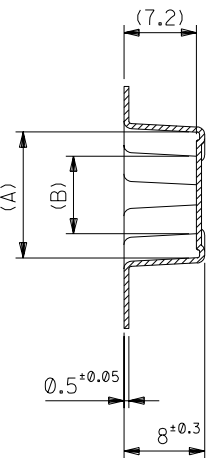
F



NOTES

- 梱包数量：900個/リール
NUMBER OF CONNECTOR:900PCS/REEL
 - リードテープ長さ
LEAD TAPE LENGTH
-
- トップテープ未接着部
TOP TAPE NON-BONDED PART
25±10
- 空エンボス 20~25PCS.
NUMBER OF EMPTY PART
- 引き出し方向
PULL OUT DIRECTION
- 480±80
- 部品挿入部
COMPONENT SUPPLIER
- 末端部 (空部)
TAIL PART (EMPTY)
150±35
- トップテープの剥離強度：0.1N~1.3N(10gf~130gf) (剥離方向は下図参照)
PEELING OFF FORCE OF TOP TAPE: 0.1N~1.3N(10gf~130gf) (PEELING DIRECTION IS SHOWN IN FOLLOWING FIG.)
<剥離速度：300mm/min (参考)>
PEELING SPEED:300mm/min. (REFERENCE)
-
- 引き出し方向
PULL OUT DIRECTION
- 10°
- 剥離方向
PEEL OFF DIRECTION
- 55460-**19 の詳細寸法については図面 SD-55460-010 を参照下さい。
RE DETAILED DIMENSIONS,SEE SD-55460-010
 - 材料 (MATERIAL)
キャリアテープ(CARRIER TAPE):ポリプロピレン(POLYPROPYLENE)
トップテープ (TOP TAPE):PET ,PE ,PEF
リール (REEL) : ポリスチレン (PS) <リサイクル材を含む>
POLYSTYRENE(PS)<RECYCLE MATERIAL CONTAINED>
 - 本製品は 55460-**90 の鉛フリー品である。
THIS PRODUCT IS LEAD FREE OF 55460-**90.

D

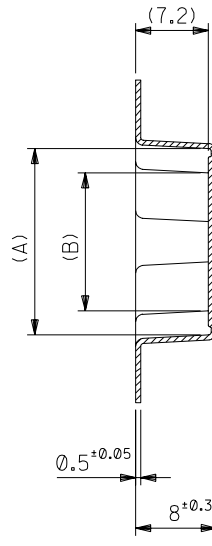


B

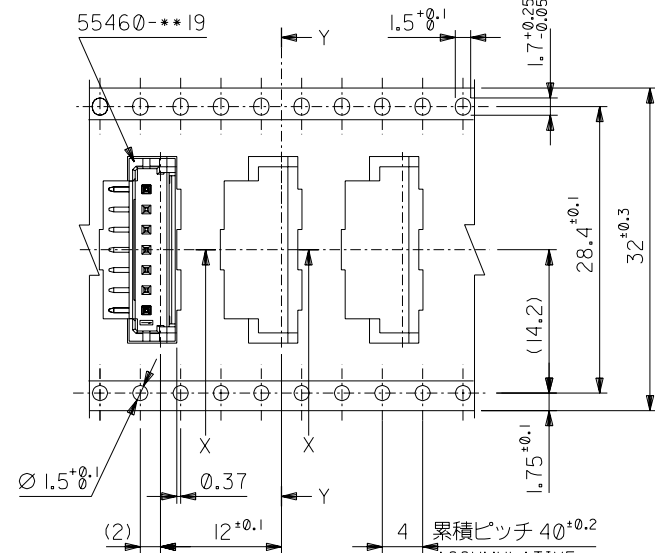
24	29.4	25.4	11.7	16.45	55460-0672	6
			9.7	14.45	55460-0572	5
			7.7	12.45	55460-0472	4
			5.7	10.45	55460-0372	3
			3.7	8.45	55460-0272	2
キャリアテープ幅	D	C	B	A	MATERIAL NO.	種数 CKTS.

DO NOT SCALE DRAWING

EC NO. DRWN: CHK: APPR:	EC NO. DRWN: CHK: APPR:	EC NO. DRWN: CHK: APPR:	EC NO. DRWN: CHK: APPR:	EC NO. DRWN: CHK: APPR:	新規格作成 RELEASED EC NO. J2004-3410 DRWN: T.UENO '04/03/29 CHK: M.SASAO '04/03/29 APPR: M.SASAO '04/03/29	MATERIAL 材料 注記参照 SEE NOTES	FINISH 仕上げ //	WIRE RANGE 適用電線範囲 //	INS. RANGE 被覆外径 //	GENERAL TOLERANCES: (UNLESS SPECIFIED) 一般公差 10 UNDER 未満 ±0.2 10 OVER 30 UNDER 未満 ±0.25 30 OVER 以上 ±0.3 ANGLE 角度 ±3°	SCALE // DESIGN UNITS mm INCH THIRD ANGLE PROJECTION	55460-**72 MODEL NO.	DIMENSIONS: mm INCH		SHT	REV
												T.UENO '04/03/29	TITLE: 2.0 W+B Conn WAFER Assy Embstp pkg -LEAD FREE-			
												M.SASAO '04/03/29	MOLEX INCORPORATED			
												M.SASAO '04/03/29	CAD FILENAME SD-55460-011.S01	MATERIAL NO. SEE CHART	DRAWING NO. SD-55460-011	SHEET NO. 1 OF 3

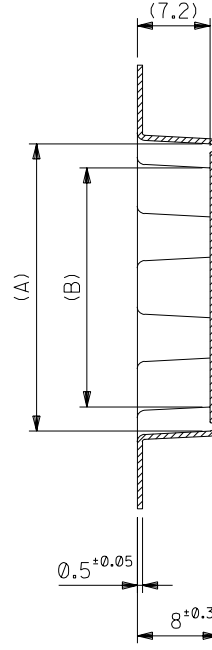


SECT. Y-Y

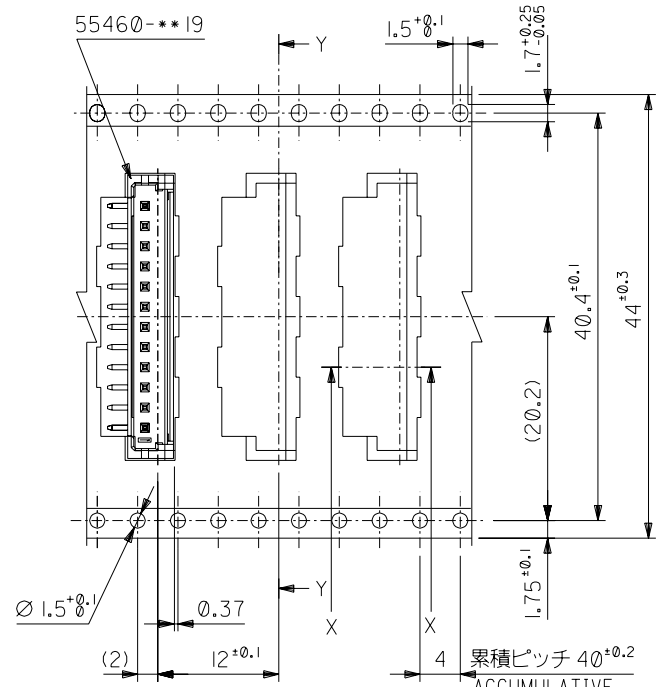


引き出し方向
PULL OUT DIRECTION

32mm幅キャリアテープ
32mm WIDTH CARRIER TAPE

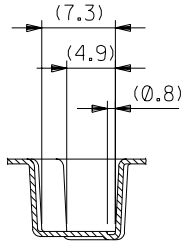


SECT. Y-Y



引き出し方向
PULL OUT DIRECTION

44mm幅キャリアテープ
44mm WIDTH CARRIER TAPE



SECT. X-X

44	49.4	45.4	25.7	30.45	55460-1372	13
			23.7	28.45	55460-1272	12
32	37.4	33.4	19.7	24.45	55460-1072	10
			15.7	20.45	55460-0872	8
			13.7	18.45	55460-0772	7
キャリアテープ幅	D	C	B	A	MATERIAL NO.	種数 CKTS.

DO NOT SCALE DRAWING

EC NO. DRWN: CHK: APPR:	EC NO. DRWN: CHK: APPR:	EC NO. DRWN: CHK: APPR:	EC NO. DRWN: CHK: APPR:	EC NO. DRWN: CHK: APPR:	EC NO. DRWN: CHK: APPR:
					SEE SHEET 1 OF 3

DESCRIPTION	MATERIAL 材料	FINISH 仕上げ	WIRE RANGE 適用電線範囲	INS. RANGE 被覆外径
	SHEET 1 OF 3参照 SEE SHEET 1 OF 3	//	//	//

GENERAL TOLERANCES: (UNLESS SPECIFIED) 一般公差	SCALE	DESIGN UNITS <input checked="" type="checkbox"/> mm <input type="checkbox"/> INCH	THIRD ANGLE PROJECTION <input checked="" type="checkbox"/> <input type="checkbox"/>
10 UNDER 未満	±0.2	DRAWN BY & DATE T.UENO '04/03/29	TITLE: 2.0 WtB Conn WAFER Assy Embstp pkg -LEAD FREE-
10 OVER 30 UNDER 未満	±0.25	CHECKED BY & DATE M.SASAO '04/03/29	APPROVED BY & DATE M.SASAO '04/03/29
30 OVER 以上	±0.3	ANGLE 角度	±3°

55460-***72	MODEL NO.	DIMENSIONS:		SHT	REV
		<input type="checkbox"/> mm <input type="checkbox"/> INCH	<input type="checkbox"/> mm ONLY		REVISE ON CAD ONLY
CAD FILENAME SD-55460-011.S02	MATERIAL NO. SEE CHART	DRAWING NO. SD-55460-011	SHEET NO. 2 OF 3		
THIS DRAWING CONTAINS INFORMATION THAT IS PROPRIETARY TO MOLEX INCORPORATED AND SHOULD NOT BE USED WITHOUT WRITTEN PERMISSION.					SIZE B

DWG. NO.
SD-55460-011

F

D

V

C

B

DO NOT SCALE DRAWING

8

7

6

5

4

3

2

1

F

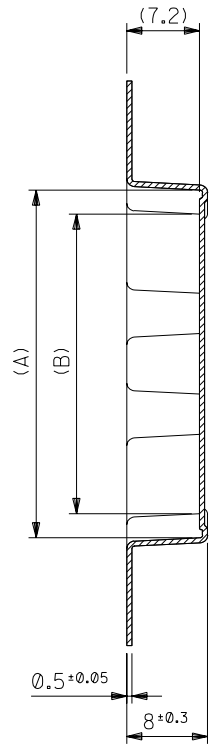
E

D

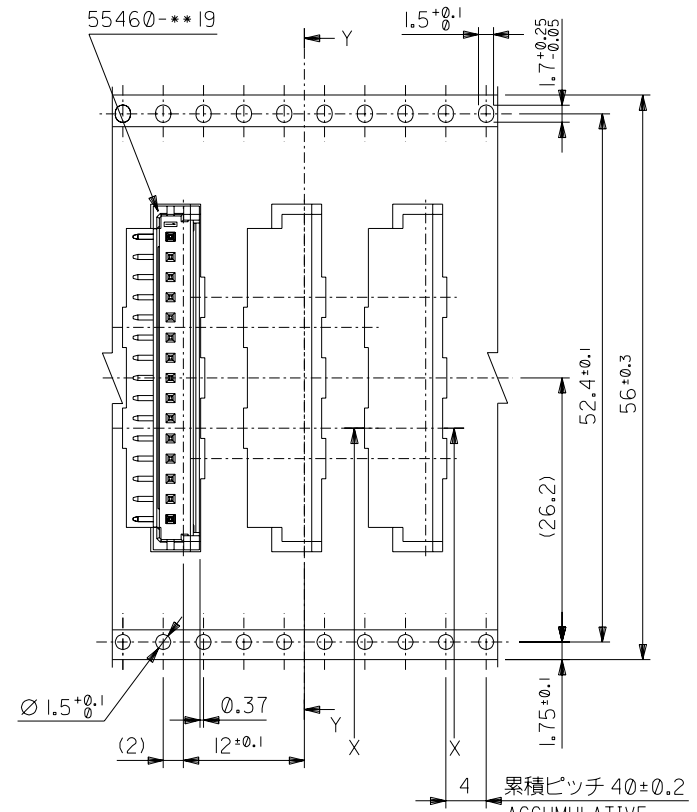
C

B

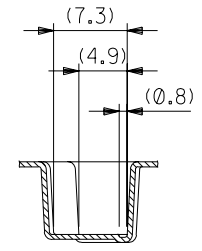
A



SECT. Y-Y



引き出し方向
PULL OUT DIRECTION
56mm幅キャリアテープ
56mm WIDTH CARRIER TAPE



SECT. X-X

56	61.4	57.4	29.7	34.45	55460-1572	15
キャリアテープ幅	D	C	B	A	MATERIAL NO.	種数 CKTS.

55460-***72	MODEL NO.	DIMENSIONS:	SHT	REV
<input checked="" type="checkbox"/> mm	<input type="checkbox"/> INCH	<input type="checkbox"/> mm ONLY	REVISE ON CAD ONLY	

EC NO. DRWN: CHK: APPR:	EC NO. DRWN: CHK: APPR:	EC NO. DRWN: CHK: APPR:	EC NO. DRWN: CHK: APPR:	EC NO. DRWN: CHK: APPR:	EC NO. DRWN: CHK: APPR:
EC NO. SEE SHEET 1 OF 3					
DESCRIPTION					
MATERIAL 材料					
FINISH 仕上げ					
WIRE RANGE 適用電線範囲					
INS. RANGE 被覆外径					

SHEET 1 OF 3 参照 SEE SHEET 1 OF 3	
10 UNDER 未満	±0.2
10 OVER 以上 30 UNDER 未満	±0.25
30 OVER 以上	±0.3
ANGLE 角度	±3°

GENERAL TOLERANCES: (UNLESS SPECIFIED) 一般公差	
SCALE	DESIGN UNITS
THIRD ANGLE PROJECTION	
DRAWN BY & DATE T.UENO '04/03/29	
CHECKED BY & DATE M.SASAO '04/03/29	
APPROVED BY & DATE M.SASAO '04/03/29	
CAD FILENAME SD-55460-011.S03	

TITLE: 2.0 WtB Conn WAFER Assy Embstp pkg -LEAD FREE-			
MOLEX INCORPORATED			
CAD FILENAME SD-55460-011.S03	MATERIAL NO. SEE CHART	DRAWING NO. SD-55460-011	SHEET NO. 3 OF 3
THIS DRAWING CONTAINS INFORMATION THAT IS PROPRIETARY TO MOLEX INCORPORATED AND SHOULD NOT BE USED WITHOUT WRITTEN PERMISSION.			SIZE B

8

7

6

5

4

3

2