

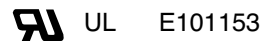


PM053-115-1225BT-4

PM053-230-1225BT-4

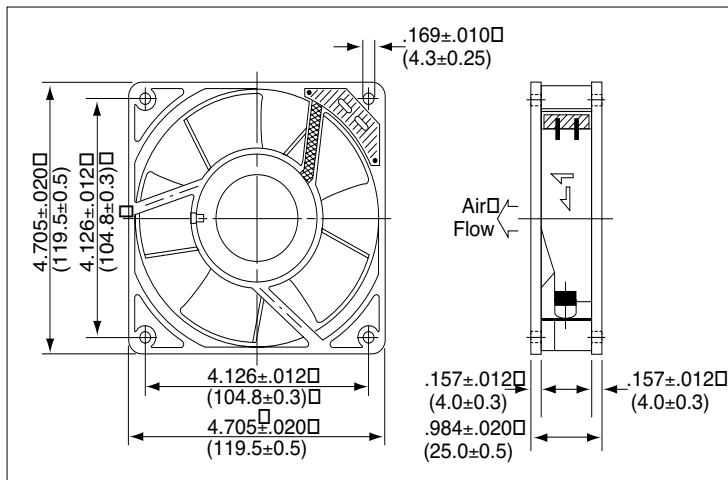
Features

Size:	120 x 120 x 25 mm (4.7" x 4.7" x 1.0")
Airflow:	53 CFM
Weight:	338 grams (12 oz)
Noise:	38 dBA
Terminal:	.120 inches
Impeller:	Reinforced Plastic (94V-0)
Frame:	Aluminum Alloy
Bearings:	Sealed Ball

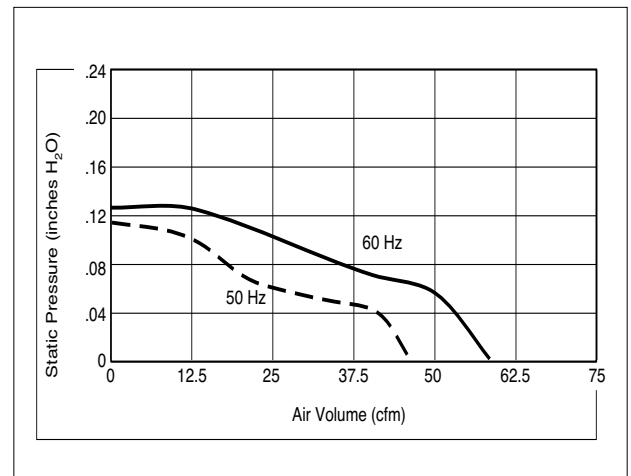


• RoHS Compliant

Dimensions – inches mm



Air Flow vs Air Pressure



Performance

Type	Rated Voltage (V)	Operating Frequency (Hz)	Input Power (W) (@ 60 Hz)	Max Air Flow (CFM)	Max Air Pressure (In H ₂ O)	Noise* (dBA)	Operating Temperature (°C)	Life Expectancy (Hr) (@ 20 ±15°C)
PM053-115-1225BT-4	115	50/60	13.0	53	0.12	38	-20~ +85	60,000
PM053-230-1225BT-4	230	50/60	13.0	53	0.12	38	-20~ +85	60,000

*Measured 1 m from intake

Product specifications contained herein may be changed without prior notice.

It is therefore advisable to contact Purdy Electronics before proceeding with the design of equipment incorporating this product.