

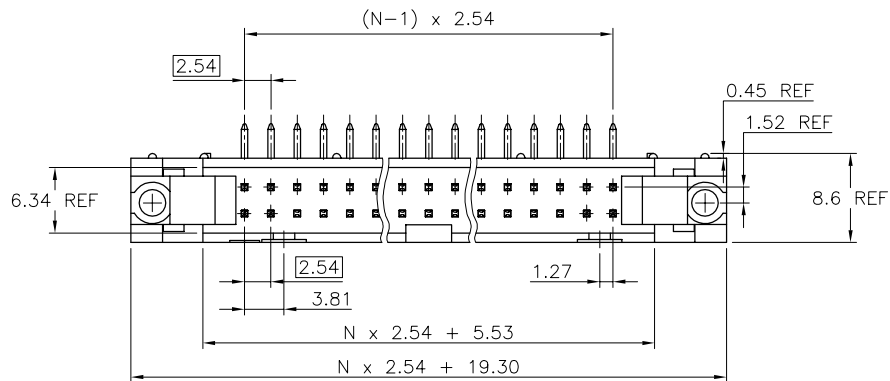
PRODUCT NUMBER

71922 - Y X X

LATCHING

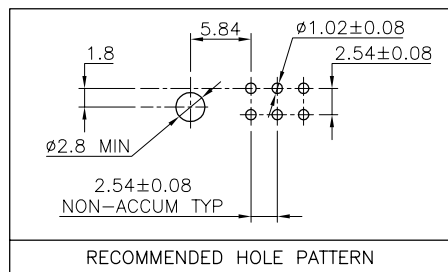
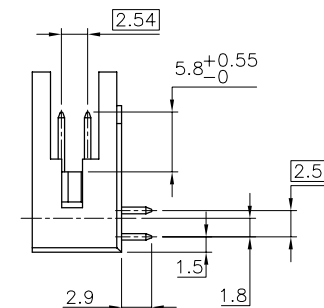
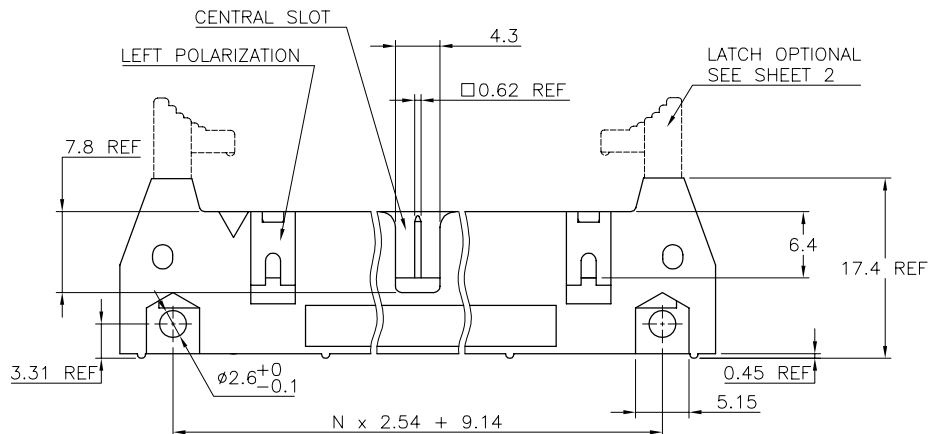
- 0 = WITHOUT LATCH
- 1 = STANDARD LATCH
- 2 = LOW PROFILE LATCH

TOTAL NB OF POSITIONS
6 TO 64



NOTES:

- 1 - HOUSING MAT'L : GLASS FILLED THERMOPLASTIC. UL94V-0 COLOR: GREY
- 2 - PIN MATERIAL : PHOSPHOR BRONZE
- 3 - PRODUCTS PACKED IN TUBES
- 4 - 40N MIN LATCH RETENTION FORCE AT FIRST EXTRACTION
- 5 - TO DETERMINE DIMENSIONS :
N = NUMBER OF POSITIONS PER ROW
EXAMPLE : 8 POS N x 2.54 = 20.32mm
- 6 - NO CENTRAL SLOT ON POSITIONS 6 & 8
- 7 - NO LEFT POLARIZATION ON POSITIONS 06, 08, 10, 14.
- 8 - 4.5mm SOLDER TAIL
ORDER 71922-4XX (WITH STANDARD LATCH ONLY)



mat'l. code		tolerances unless otherwise specified			CUSTOMER COPY		 ELECTRONICS www.fciconnect.com
SEE NOTES					projection		
ltr	ecn no	dr	date	linear	xx ±0.3	 mm	title SHR.EL.HEADER RA DR TMT product family QUICKIE size dwg no 213 sheet 1 of 2
M	F04-0121	LMU	04.01.27		.xx ±0.15		
N	F04-0176	LMU	04.04.22		.xxx ±0.05		
P	F04-0325	JCO	04.08.16	angles		scale 2:1	
J	F10309	DLE	01.05.10	dr	D.LE	01.01.24	
K	F03042	JCO	03.02.25	engr	JM.C	01.01.24	
L	F03-0257	LMU	03.08.31	chr	JF.N	01.01.24	
				appd	JM.C	01.01.24	
sheet index	revision	P	K				
	sheet	1	2				

