

PLEASE CHECK WWW.MOLEX.COM FOR LATEST PART INFORMATION

Part Number: [0353010210](#)
Status: **Active**
Description: 2.50mm (.098") Pitch SPOX™ Wire-to-Board Header, Vertical Shrouded, Tube Packaged Version of 5267, 2 Circuits, Tin (Sn) Plating

Documents:

[3D Model](#) [Product Specification PS-35301-001 \(PDF\)](#)
[Drawing \(PDF\)](#) [RoHS Certificate of Compliance \(PDF\)](#)

Agency Certification

CSA LR 19980
 UL E29179

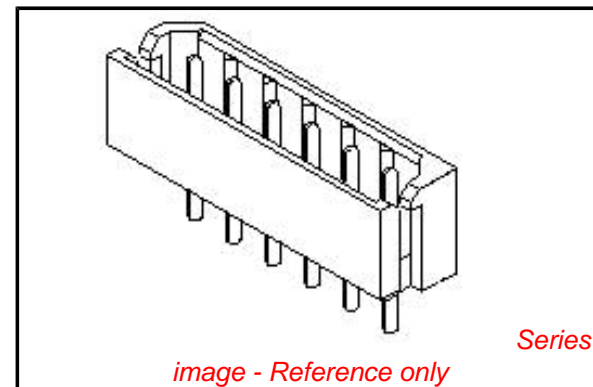
General

Product Family PCB Headers
 Series [35301](#)
 Application Wire-to-Board
 Product Name SPOX™

Physical

Breakaway No
 Circuits (Loaded) 2
 Circuits (maximum) 2
 Color - Resin Natural
 Durability (mating cycles max) 30
 First Mate / Last Break No
 Flammability 94V-0
 Glow-Wire Compliant No
 Guide to Mating Part No
 Keying to Mating Part None
 Lock to Mating Part Yes
 Material - Plating Mating Tin
 Material - Plating Termination Tin
 Material - Resin Nylon
 Number of Rows 1
 Orientation Vertical
 PCB Locator No
 PCB Retention None
 PCB Thickness Recommended (in) 0.062 In
 PCB Thickness Recommended (mm) 1.60 mm
 Packaging Type Tube
 Pitch - Mating Interface (in) 0.098 In
 Pitch - Mating Interface (mm) 2.50 mm
 Plating min: Mating (µin) 160
 Plating min: Mating (µm) 4
 Plating min: Termination (µin) 160
 Plating min: Termination (µm) 4
 Polarized to Mating Part Yes
 Polarized to PCB No
 Shrouded Partial
 Stackable No
 Surface Mount Compatible (SMC) No
 Temperature Range - Operating -40°C to +105°C
 Termination Interface: Style Through Hole

Electrical



EU RoHS

ELV and RoHS Compliant
REACH SVHC
 Not Reviewed
Halogen-Free Status

China RoHS



Not Halogen-Free

Need more information on product environmental compliance?

Email productcompliance@molex.com
 For a multiple part number RoHS Certificate of Compliance, [click here](#)

Please visit the [Contact Us](#) section for any non-product compliance questions.

Search Parts in this Series

[35301Series](#)

Mates With

[5264](#) SPOX™ Wire-to-Board Crimp Housing. [42219](#) SPOX™ IDT Receptacle Housing

Current - Maximum per Contact
Voltage - Maximum

3A
250V

Material Info

Reference - Drawing Numbers

Product Specification
Sales Drawing

PS-35301-001
SD-35301-004, SD-35301-010

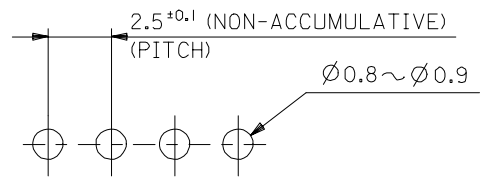
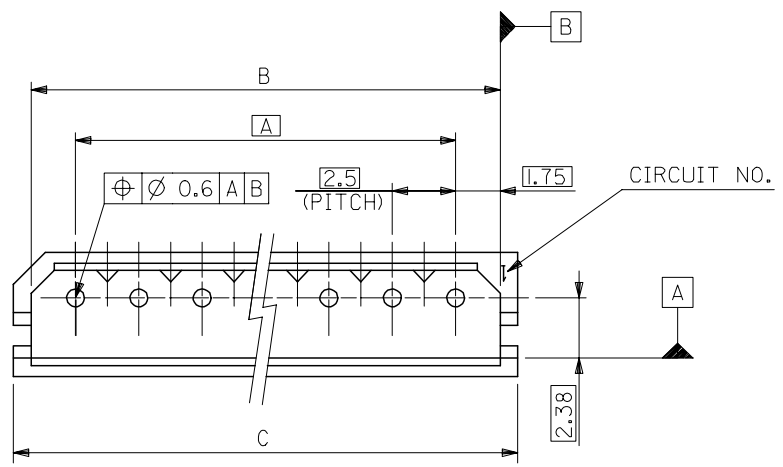
This document was generated on 04/13/2010

PLEASE CHECK WWW.MOLEX.COM FOR LATEST PART INFORMATION

DWG. NO.
 SIMILAR ITEM
 PROJECT NO.
 C
 B
 DO NOT SCALE DRAWING DIMENSION IN METRIC

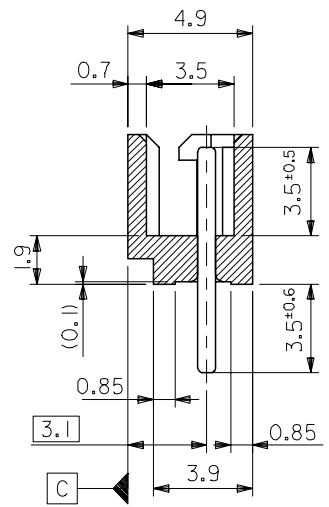
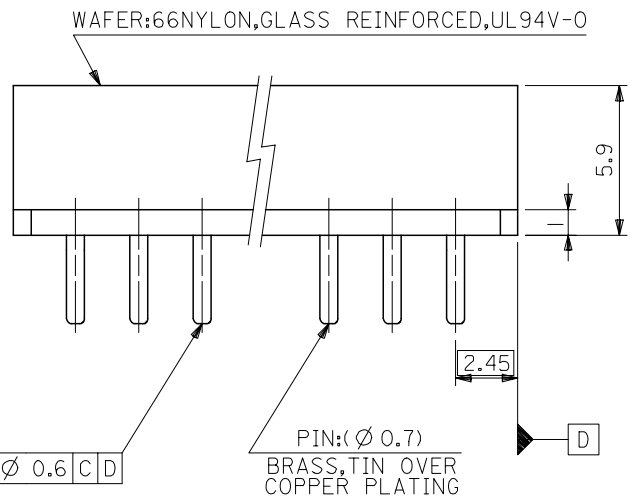
8 7 6 5 4 3 2 1

F
 E
 D
 C
 B
 A



RECOMMENDED P.C. BOARD HOLE DIM.

NOTES:
1. MATES WITH • 5264 SERIES.



39.9	38.5	35	22-03-5155	5267-15A	35301-1510	15
37.4	36	32.5	-5145	-14A	35301-1410	14
34.9	33.5	30	-5135	-13A	35301-1310	13
32.4	31	27.5	-5125	-12A	35301-1210	12
29.9	28.5	25	-5115	-11A	35301-1110	11
27.4	26	22.5	-5105	-10A	35301-1010	10
24.9	23.5	20	-5095	-09A	35301-0910	9
22.4	21	17.5	-5085	-08A	35301-0810	8
19.9	18.5	15	-5075	-07A	35301-0710	7
17.4	16	12.5	-5065	-06A	35301-0610	6
14.9	13.5	10	-5055	-05A	35301-0510	5
12.4	11	7.5	-5045	-04A	35301-0410	4
9.9	8.5	5	-5035	-03A	35301-0310	3
7.4	6	2.5	22-03-5025	5267-02A	35301-0210	2
C	B	A	EDP NO.	ENG NO.	ENG NO.	NO OF CKT.

ANGLE	±3°
30 OVER	±0.3
10 OVER 30 UNDER	±0.25
10 UNDER	±0.2
GENERAL TOLERANCES	

NEW RELEASED
 ECN NO. KOR2006-0082
 DRWN: K.S.KIM (060102)
 CHK: Y.Soo.KIM
 APPR: SH.CHOI

QUALITY SYMBOLS
 MAJOR
 CRITICAL

GENERAL TOLERANCES:
 (UNLESS SPECIFIED)
 mm INCH
 4 PLACES ±0. ±-
 3 PLACES ±0. ±-
 2 PLACES ±0. ±-
 1 PLACE ±0. ±-
 ANGULAR: ± °
 DRAFT WHERE APPLICABLE MUST REMAIN WITHIN DIMENSIONS

SCALE 5:1
 DESIGN UNITS mm INCH
 DRAWN BY & DATE K.S.KIM (060102)
 CHECKED BY & DATE Y.Soo.KIM
 APPROVED BY & DATE SH.CHOI
 CAD FILENAME

DIMENSIONS: mm INCH mm ONLY
 THIRD ANGLE PROJECTION
 TITLE: 2.5 LOW PROFILE WAFER ASS'Y
 MOLEX INCORPORATED
 MATERIAL NO. DRAWING NO. SD-35301-010 SHEET NO. 1 OF 1
 THIS DRAWING CONTAINS INFORMATION THAT IS PROPRIETARY TO MOLEX INCORPORATED AND SHOULD NOT BE USED WITHOUT WRITTEN PERMISSION. SIZE B
 KOREA MX-A3