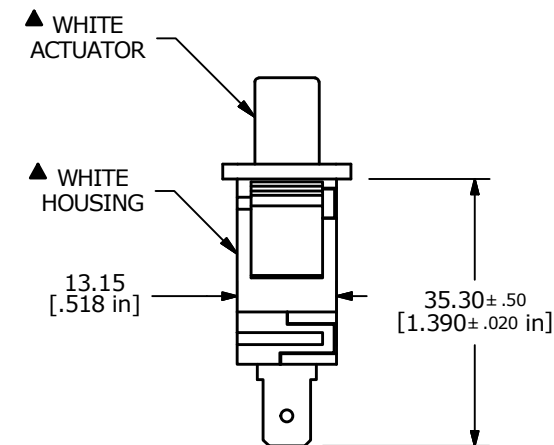
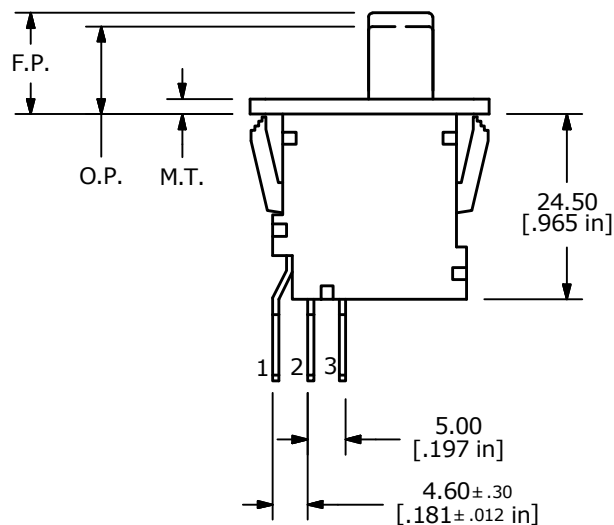


▲ SPDT ON-(ON)
CONTACT CONFIGURATION
() DENOTES MOMENTARY
FUNCTION

F.P. (MM)	O.P. (MM)	M.T. (MM)
11.4 ± 0.5	9.6 ± 0.8	2.3

F.P. = FREE POSITION
O.P. = OPERATING POSITION
M.T. = MAX TRAVEL POSITION



- NOTES:
1. ALL DIMENSIONS IN MM
2. GENERAL TOLERANCE: X.X=±0.4
X.XX=±0.25
3. TERM. NOS. FOR REFERENCE ONLY
4. ELECTRICAL LIFE: 6,000 CYCLES
5. OPERATING TEMP: 0°C TO 85°C
6. CONTACT RESISTANCE: 30mΩ MAX. INITIAL
7. 2011/65/EU (ROHS) COMPLIANT
8. ▲ DENOTES CRITICAL PARAMETER
9. CONTACT RATING: UL 16A 125VAC, 12A 250VAC, 1HP 125/250VAC



REV	PCR NO	DESCRIPTION	DATE	BY
B	22570	ADDED PIN NUMBERS	10/28/16	MJR
A	22496	NEW RELEASE	9/13/16	MJR

TITLE PP1-4B7-2D2				
SCALE 1:1	DATE 9/13/2016	DR MJR	DWG 34-PP14B72D2	REV B

THE INFORMATION CONTAINED IN THIS DOCUMENT IS PROPRIETARY TO E-SWITCH AND IS NOT TO BE COPIED OR TRANSFERRED