

**PLEASE CHECK WWW.MOLEX.COM FOR LATEST PART INFORMATION**

**Part Number:** [0643221039](#)  
**Status:** **Active**  
**Overview:** [cmc connectors](#)  
**Description:** 0.635mm (.025") CMC CP Female Terminal, Tin Plated, for Square 0.6mm x 0.6mm Pins, Wire Size 0.5mm<sup>2</sup>

**Documents:**

<a href="#">3D Model</a>	<a href="#">Product Specification PS-64319-001 (PDF)</a>
<a href="#">Drawing (PDF)</a>	<a href="#">Product Specification PS-64321-001 (PDF)</a>
<a href="#">Product Specification PS-64318-001 (PDF)</a>	<a href="#">RoHS Certificate of Compliance (PDF)</a>

**General**

Product Family	Crimp Terminals
Series	<a href="#">64322</a>
Comments	* Current tested on a 5 terminals loaded connector, current for temperature increase of 40°C. Current max = 6.0A for 0.635mm Terminal(0.75mm <sup>2</sup> wire)
Crimp Quality Equipment	Yes
Overview	<a href="#">cmc connectors</a>
Product Name	CMC, CP Terminal

**Physical**

Durability (mating cycles max)	20
Gender	Female
Material - Metal	Phosphor Bronze
Material - Plating Mating	Tin
Material - Plating Termination	Tin
Packaging Type	Reel
Plating min: Mating (µm)	1.5, 3
Termination Interface: Style	Crimp or Compression
Wire Insulation Diameter	1.40mm-1.7mm
Wire Size AWG	N/A
Wire Size mm <sup>2</sup>	0.5

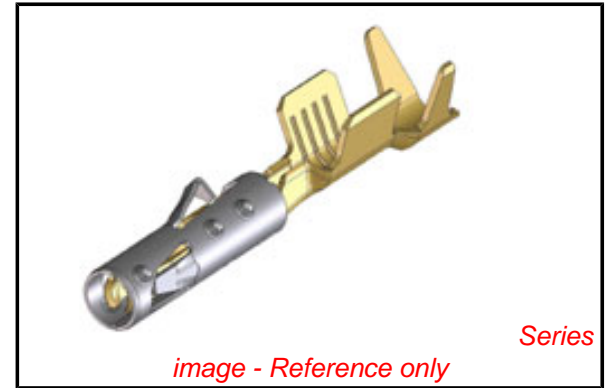
**Electrical**

Current - Maximum per Contact	6A
Voltage - Maximum	250V AC

**Material Info**

**Reference - Drawing Numbers**

Application Specification	AS-64321-001
Packaging Specification	PK-98913-001
Product Specification	PS-64318-001, PS-64319-001, PS-64321-001
Sales Drawing	SD-64322-001



**EU RoHS**

**ELV and RoHS Compliant**  
**REACH SVHC**  
 Not Reviewed  
**Halogen-Free Status**

**China RoHS**



**Need more information on product environmental compliance?**

Email [productcompliance@molex.com](mailto:productcompliance@molex.com)  
 For a multiple part number RoHS Certificate of Compliance, [click here](#)

Please visit the [Contact Us](#) section for any non-product compliance questions.

**Search Parts in this Series**

[64322Series](#)

**Mates With**

CMC Connector [64318](#) , [64319](#) , [64320](#) , [64321](#)

**Use With**

CMC Connector [64318](#) , [64319](#) , [64320](#) , [64321](#)

**Application Tooling | FAQ**

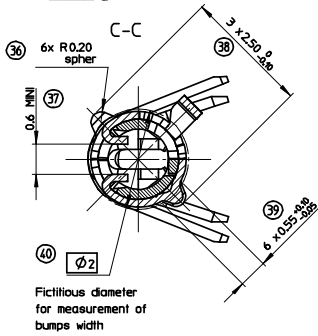
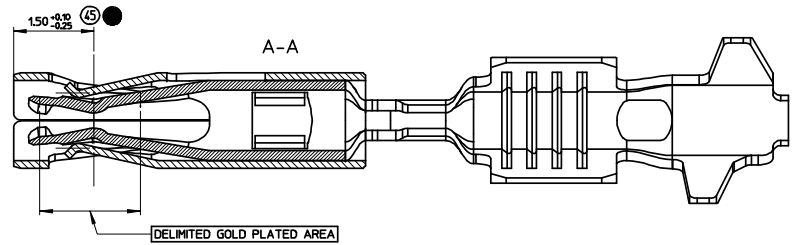
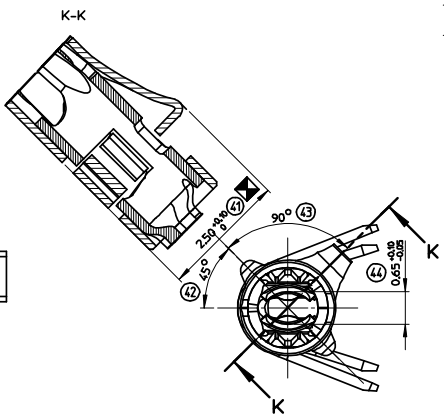
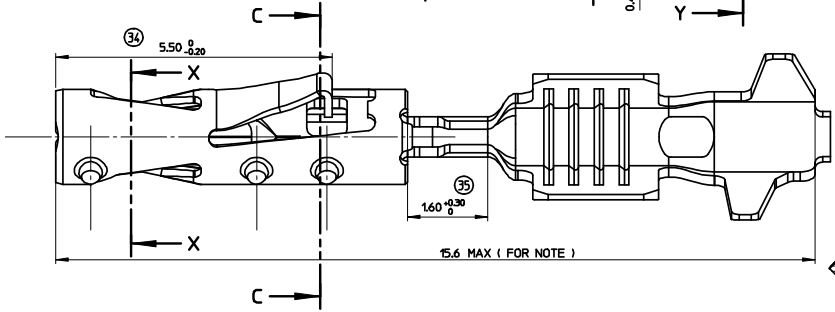
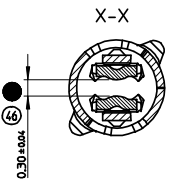
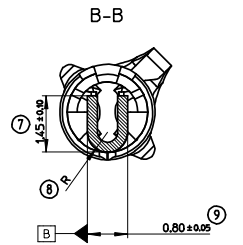
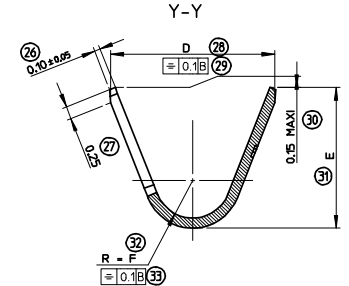
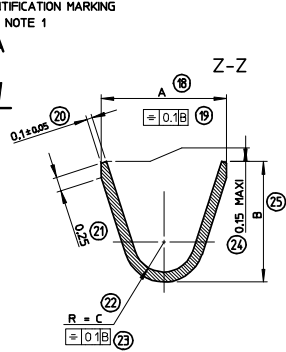
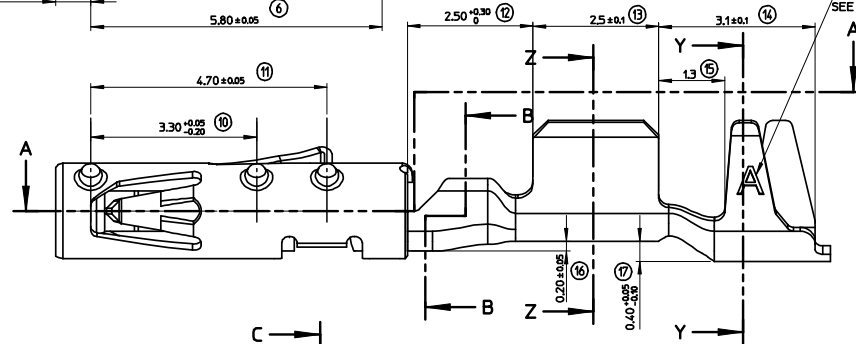
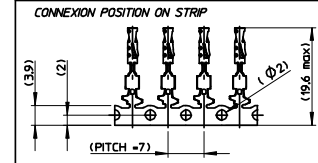
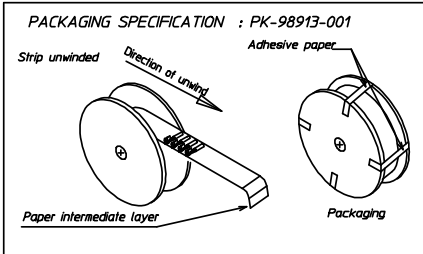
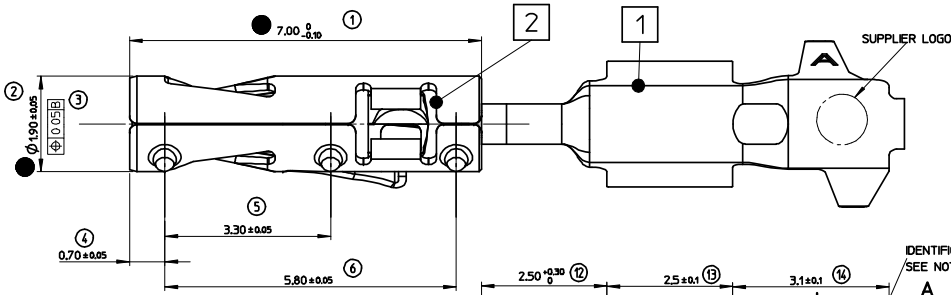
*Tooling specifications and manuals are found by selecting the products below. Crimp Height Specifications are then contained in the Application Tooling Specification document.*

**Global**

Description	Product #
FineAdjust™ Applicator	<a href="#">0638689000</a>
Extraction Tool	<a href="#">0638132400</a>
HAND CRIMP TOOL	<a href="#">0638119200</a>

This document was generated on 06/07/2010

**PLEASE CHECK [WWW.MOLEX.COM](http://WWW.MOLEX.COM) FOR LATEST PART INFORMATION**



NOTE :  
 - MARKING "A" is used to identify "STANDARD" terminal  
 - CRIMPING SPECIFICATION ACCORDING TO CS-64322-001

2	BOX TERMINAL	STAINLESS STEEL thickness=0.15 mm
1	BODY TERMINAL	high conductivity copper alloy thickness=0.2 mm
MARK	DESIGNATION	MATERIAL

0643221029	Sn	Sn		0.75	2.5	2.4	0.6	3.3	2.8	0.75	0.119
0643221219	Au 1.27μ MINI	Sn	Ni								
0643221039	Sn	Sn		0.50	2.3	2.2	0.6	3.1	2.6	0.75	0.117
0643221239	Au 1.27μ MINI	Sn	Ni								
0643221019	Sn	Sn		0.22 TO 0.44	2.0	1.7	0.6	3.1	2.6	0.75	0.112
0643221229	Au 1.27μ MINI	Sn	Ni								
PART NUMBER	CONTACT AREA	CRIMPING AREA	UNDERLAYER	CRIMPING RANGE (mm2)	A+0.2	B+0.2	rC +0.15 -0.1	D+0.2	E+0.2	rF+0.1	WEIGHT (g)
PLATING											

DELIMITED GOLD PLATED AREA

(SKC) COTES CARACTERISTIQUES SPECIALES  
 SPECIAL KEY CHARACTERISTICS  
 □ INDICATION DIMENSIONS S.P.C  
 DENOTES S.P.C DIMENSIONS  
 ⊗ INDICATION DIMENSIONS CRITIQUES  
 DENOTES CRITICAL DIMENSIONS  
 ● INDICATION DIMENSIONS FONCTIONNELLES  
 DENOTES FUNCTIONAL DIMENSIONS  
 QUANTITE PAR FEUILLE INDIVIDUELLE  
 QUANTITY PER INDIVIDUAL SHEET  
 □ 1 ⊗ 0 ● 4 (SKC) 0

Revised Dwg E.C. NO: GZ008-0440 DRAWN BY: JAUOU CHKD BY: FPAROLARI APPRVL BY: LSTICKEIR 2008/05/19 2008/05/19 2008/05/19	GENERAL TOLERANCES (UNLESS SPECIFIED) mm INCH 4 PLACES ± --- ± --- 3 PLACES ± --- ± --- 2 PLACES ± 0.10 ± --- 1 PLACE ± 0.1 ± --- ANGULAR ± 2°		DIMENSION STYLE MM ONLY	SCALE 20:1	DESIGN UNITS METRIC	FIRST ANGLE PROJECTION
	DRAWN BY: FPAROLARI DATE: 2007/09/17 CHECKED BY: IDUCLOS DATE: 2007/09/17 APPROVED BY: LSTICKEIR DATE: 2007/09/17		MATERIAL NO.	MOLEX INCORPORATED	SHEET NO. 1 OF 1	
	DRAFT WHERE APPLICABLE MUST REMAIN WITHIN DIMENSIONS		SEE CHART	SD-64322-001	INCORPORATED AND SHOULD NOT BE USED WITHOUT WRITTEN PERMISSION	
	THIS DRAWING CONTAINS INFORMATION THAT IS PROPRIETARY TO MOLEX INCORPORATED AND SHOULD NOT BE USED WITHOUT WRITTEN PERMISSION					