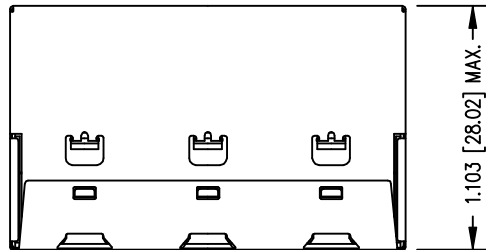


# STEWART CONNECTOR SYSTEMS, INC.

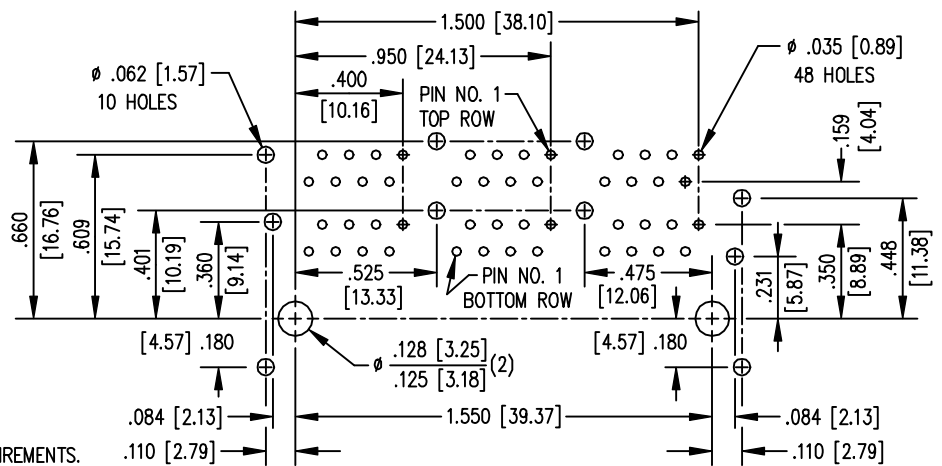
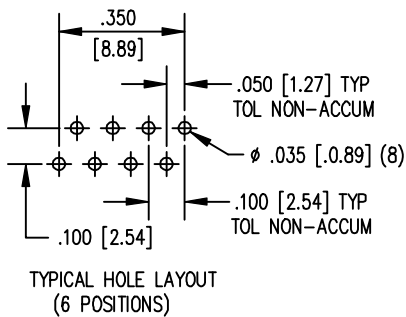
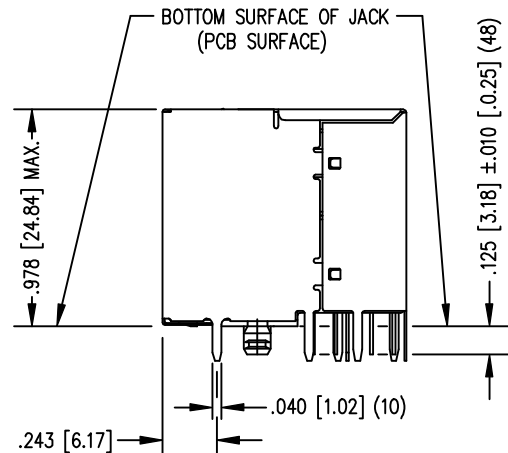
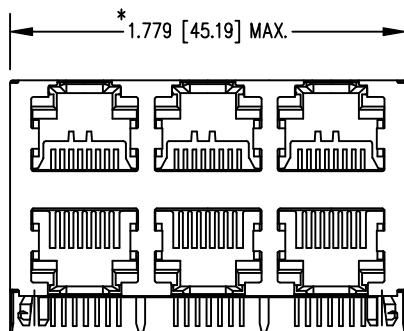
R.D. 2, BOX 2020 GLEN ROCK, PENNSYLVANIA 17327

THIS DRAWING AND THE SUBJECT MATTER SHOWN THEREON ARE CONFIDENTIAL AND THE PROPRIETARY PROPERTY OF STEWART CONNECTOR SYSTEMS ("SCS") AND SHALL NOT BE REPRODUCED, COPIED OR USED IN ANY MANNER WITHOUT PRIOR WRITTEN CONSENT OF "SCS". THE SUBJECT MATTER MAY BE PATENTED OR A PATENT MAY BE PENDING. © SCS

PART NO. SS-738833S-NF  
EIGHT CONTACT, EIGHT POSITION  
SHIELDED STACKED HARMONICA JACK  
6 PORTS (3 ON 3)



**FOR REFERENCE  
ONLY**



- NOTES:
- TOLERANCES COMPLY WITH F.C.C. DIMENSION REQUIREMENTS.
  - DIMENSIONS SHOWN WITH "\*" TO BE CENTRAL ABOUT CENTER LINE.
  - DIMENSIONS SHOWN ARE SUBJECT TO CHANGE WITHOUT NOTICE. CONSULT FACTORY PRIOR TO ORDERING.

P.C.B. RECOMMENDED HOLE LAYOUT  
SEEN FROM COMPONENT SIDE  
TOLERANCE ±.003 [0.08] UNLESS OTHERWISE SPECIFIED

- AVAILABLE WITH:
- 30 OR 50 MICRO-INCH SELECTIVE GOLD PLATING
  - LOADED 1 - 8 CONTACTS

CT730035A0