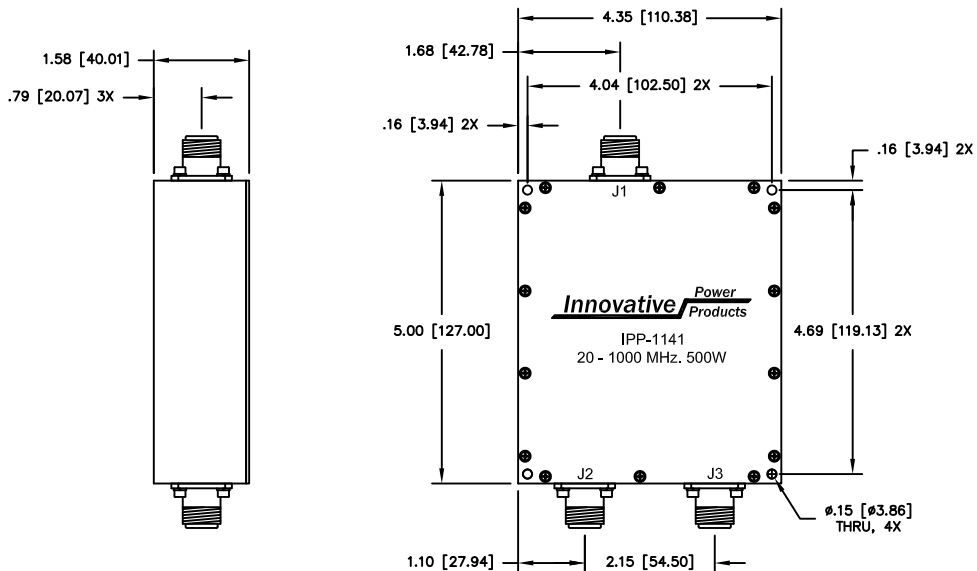


UNAUTHORIZED USE OF THIS
DRAWING IS STRICTLY PROHIBITED

DAR	REV	DESCRIPTION	APPVD	DATE
3084	A	INITIAL RELEASE	DG	5-11
3271	B	SEE DAR	TJD	8-11



NOTES:

- CONNECTOR TYPE J1 – J3: TYPE 'N' FEMALE:
- J1: SUM PORT

ELECTRICAL SPECIFICATIONS

FREQUENCY:	20 – 1000 MHz.
INSERTION LOSS:	< 0.80 dB
VSWR:	< 1.30:1
PHASE BALANCE:	±5°
AMPLITUDE BALANCE:	±0.2 dB
POWER:	500 WATT
ISOLATION:	>10 dB

MATERIAL AL. ALLOY 6061-T651	DWN S.Cornell	DATE 1-14-11	Innovative Power Products			
	ENG DG	DATE 1-11				
FINISH CHEM FILM, CLEAR, PER MIL-DTL-5541, TYPE 2, REV. F, CLASS 3 (ROHS COMPLIANT)	MANUF	DATE	TITLE OUTLINE			
	CAGE CODE: 437R2		2 - WAY 20 - 1000 MHz 500 WATT			
TOLERANCE .XX ±.02 .XXX ±.010 ANG. ±1/2°	SHEET 1	OF 1	SCALE .5:1	SIZE B	P/N IPP-1141	REV. B