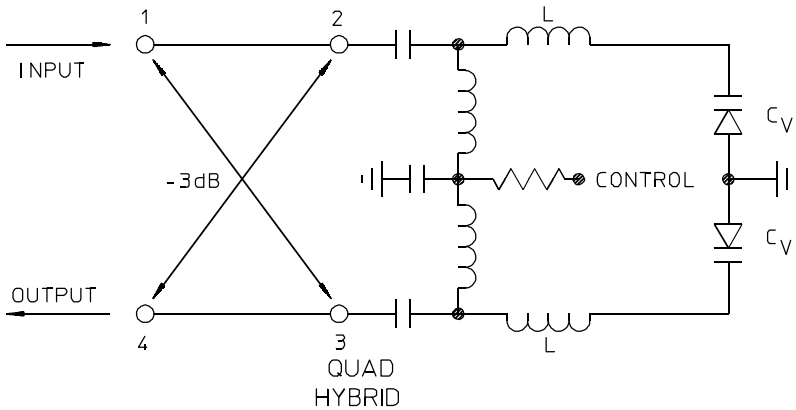


# PEF-03A Series

# PHASE SHIFTERS

500 to 1500 MHz / Continuous 0° to 180° Adjustment / Voltage Controlled / Low Insertion Loss



## PRINCIPAL SPECIFICATIONS

Model Number	Center Frequency, $f_0$ , MHz	Bandwidth
PEF-03A-***B	500 – 1500	10% of $f_0$

For complete Model Number replace \*\*\* with desired Center Frequency,  $f_0$  in MHz.

### General Notes:

1. The PEF series of high frequency, voltage controlled phase shifters combines the latest microstrip and lumped element technologies to provide very high performance in a space saving package.
2. With a center frequency of up to 1500 MHz, these units extend the frequency range of the long established PSEF series which cover the 10 to 500 MHz band.
3. These phase shifters are suitable for systems requiring automatic phase control, closed loop networks and steering of electronically scanned antennas.
4. Merrimac Phase Shifters are designed for high reliability, and can be supplied screened to meet military and space applications.

## GENERAL SPECIFICATIONS

### RF Characteristics

Bandwidth:	10% min.
Phase Shift Range:	0 to 180° min.
Impedance:	50 $\Omega$ nom.
VSWR:	2.0:1 max.
RF Input Level:	0 dBm max.
Insertion Loss:	
1000 - 2000	3 dB max.
500 - 1000	2 dB max.

### Control Characteristics

Control Voltage	0 to +30 VDC
Modulation Rate:	DC to 1% $f_0$

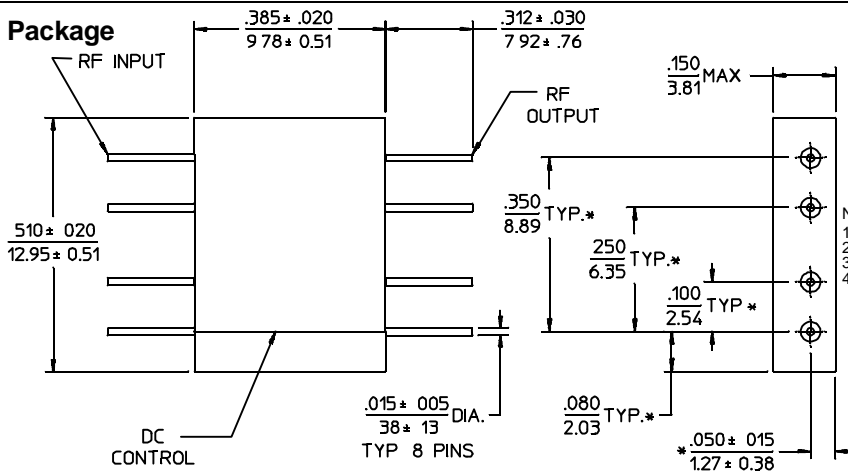
### General Characteristics

Phase Stability:	0.2° per °C
Weight, nominal:	0.09 oz. (2.5 g)
Operating Temp:	-55° to +85°C

## AVAILABLE OPTIONS

Lower Frequencies:	Down to 10 MHz in PSEF series only.
RF Bandwidth:	Up to 20% of $f_0$
Control:	Negative polarity

### A-Size Package



#### NOTES:

1. Tolerance on 3 place decimals  $\pm 0.10(.25)$  except as noted.
2. Dimensions in inches over millimeters.
3. Dimensions marked with \* apply only at body.
4. All unmarked pins are case ground.

15Feb96