

2.5A, 10V, Monolithic Synchronous Step-Down Regulator

FEATURES

- **Wide Input Voltage Range: 4.5V to 10V**
- **2.5A Output Current**
- **Low $R_{DS(ON)}$ Internal Switches: 65m Ω and 90m Ω**
- **Programmable Frequency: 300kHz to 3MHz**
- **Low Quiescent Current: 75 μ A**
- **0.6V \pm 1% Reference Allows Low Output Voltage**
- **99% Maximum Duty Cycle**
- **Adjustable Burst Mode[®] Clamp**
- **Synchronizable to External Clock**
- **Power Good Output Voltage Monitor**
- **Overtemperature Protection**
- **Available in 16-Lead Exposed TSSOP and 4mm \times 4mm QFN Packages**

APPLICATIONS

- Point-of-Load Supplies
- Portable Instruments
- Server Backplane Power
- Battery-Powered Devices

DESCRIPTION

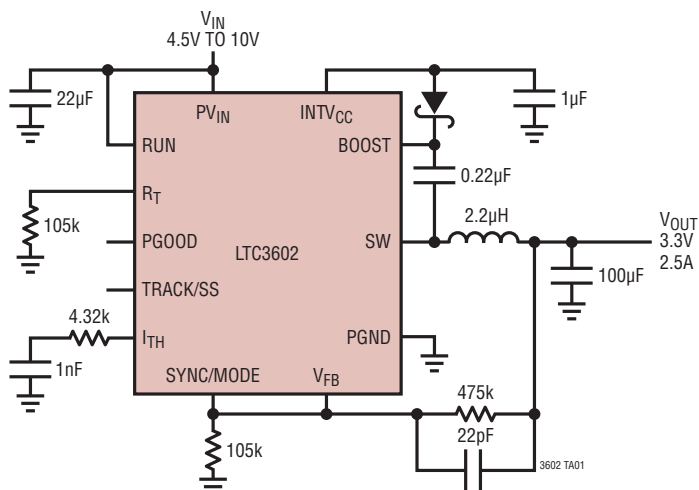
The LTC[®]3602 is a high efficiency, monolithic synchronous, step-down DC/DC converter utilizing a constant-frequency, current mode architecture. It operates from an input voltage range of 4.5V to 10V and provides an adjustable regulated output voltage from 0.6V to 9.5V while delivering up to 2.5A of output current. The internal synchronous power switch with 65m Ω on-resistance increases efficiency and eliminates the need for an external Schottky diode. The switching frequency can either be set by an external resistor or synchronized to an external clock. OPTI-LOOP[®] compensation allows the transient response to be optimized over a wide range of loads and output capacitors.

The LTC3602 can be configured for either Burst Mode operation or forced continuous operation. Forced continuous operation reduces noise and RF interference, while Burst Mode operation provides the high efficiency at light loads. In Burst Mode operation, external control of the burst clamp level allows the output voltage ripple to be adjusted according to the requirements of the application.

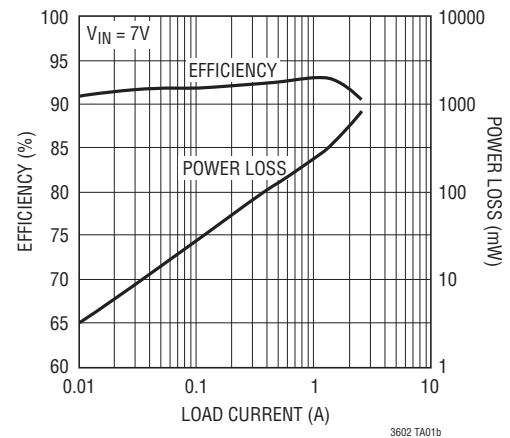
L^T, LT, LTC, LTM, Burst Mode and OPTI-LOOP are registered trademarks of Linear Technology Corporation. All other trademarks are the property of their respective owners.

TYPICAL APPLICATION

3.3V, 2.5A, 1MHz Step-Down Regulator



Efficiency and Power Loss vs Load Current

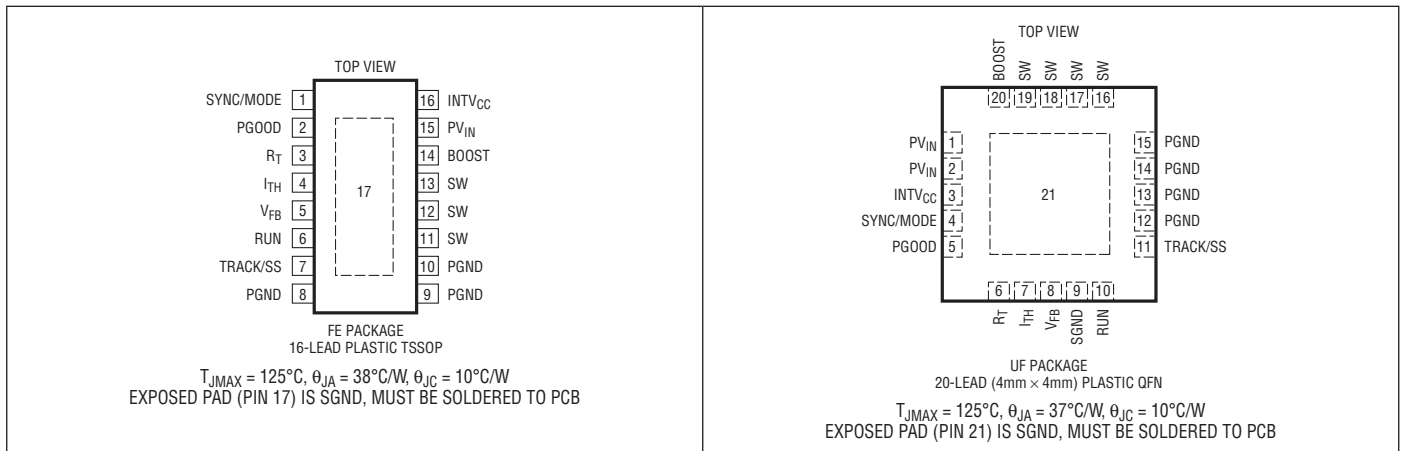


ABSOLUTE MAXIMUM RATINGS

(Note 1)

Input Supply Voltage (PV_{IN})	-0.3V to 11V	Peak SW Sink and Source Current (Note 7)	6.5A
SW (DC)	-0.3V to ($PV_{IN} + 0.3V$)	Operating Temperature Range (Note 2)	-40°C to 85°C
BOOST	($V_{SW} - 0.3V$) to ($V_{SW} + 6V$)	Junction Temperature (Notes 5, 6)	125°C
RUN	-0.3V to 11V	Lead Temperature	
All Other Pins	-0.3V to 6V	(Soldering, FE Package 10 seconds)	300°C

PIN CONFIGURATION



ORDER INFORMATION

LEAD FREE FINISH	TAPE AND REEL	PART MARKING*	PACKAGE DESCRIPTION	TEMPERATURE RANGE
LTC3602EFE#PBF	LTC3602EFE#TRPBF	3602FE	16-Lead Plastic TSSOP	-40°C to 85°C
LTC3602IFE#PBF	LTC3602IFE#TRPBF	3602FE	16-Lead Plastic TSSOP	-40°C to 85°C
LTC3602EUF#PBF	LTC3602EUF#TRPBF	3602	20-Lead (4mm x 4mm) Plastic QFN	-40°C to 85°C
LTC3602IUF#PBF	LTC3602IUF#TRPBF	3602	20-Lead (4mm x 4mm) Plastic QFN	-40°C to 85°C

Consult LTC Marketing for parts specified with wider operating temperature ranges. *The temperature grade is identified by a label on the shipping container. Consult LTC Marketing for information on non-standard lead based finish parts.

For more information on lead free part marking, go to: <http://www.linear.com/leadfree/>

For more information on tape and reel specifications, go to: <http://www.linear.com/tapeandreeel/>

ELECTRICAL CHARACTERISTICS

The ● denotes the specifications which apply over the full operating temperature range, otherwise specifications are at $T_A = 25^{\circ}C$. $V_{IN} = 8.4V$ unless otherwise specified.

SYMBOL	PARAMETER	CONDITIONS	MIN	TYP	MAX	UNITS
PV_{IN}	Operating Voltage Range		4.5		10	V
V_{FB}	Regulated Feedback Voltage	$I_{TH} = 0.7V$ (Note 3)	● 0.594	0.6	0.606	V
$\Delta V_{FB(LINEREG)}$	Feedback Voltage Line Regulation	$V_{IN} = 5V$ to $10V$, $I_{TH} = 0.7V$		0.005		%/V
$\Delta V_{FB(LOADREG)}$	Feedback Voltage Load Regulation	$I_{TH} = 0.36V$ to $0.84V$	●	0.02	0.1	%

ELECTRICAL CHARACTERISTICS

The ● denotes the specifications which apply over the full operating temperature range, otherwise specifications are at $T_A = 25^\circ\text{C}$. $V_{\text{IN}} = 8.4\text{V}$ unless otherwise specified.

SYMBOL	PARAMETER	CONDITIONS	MIN	TYP	MAX	UNITS
ΔV_{PGOOD}	Power Good Range			± 10	± 12	%
R_{PGOOD}	Power Good Resistance			11	18	Ω
I_{FB}	FB Input Bias Current			10		nA
g_m	Transconductance Amplifier g_m			1.7		ms
I_S	Supply Current Active Mode Sleep Mode Shutdown	(Note 4)		500 75 0.2	700 100 1	μA μA μA
INTV_{CC}	V_{CC} LDO Output Voltage		4.8	5	5.2	V
$t_{\text{ON, MIN}}$	Minimum Controllable ON-Time			90		ns
V_{RUN}	RUN Pin ON Threshold	V_{RUN} Rising	● 0.4	0.7	1	V
$I_{\text{TRACK/SS}}$	TRACK/SS Pull-Up Current			1.25		μA
f_{OSC}	Oscillator Frequency	$R_T = 105\text{k}$	0.8	1	1.2	MHz
f_{SYNC}	SYNC Capture Range		0.3		3	MHz
$R_{\text{DS(ON)}}$	Top Switch On-Resistance Bottom Switch On-Resistance			90 67		$\text{m}\Omega$ $\text{m}\Omega$
I_{LIM}	Peak Current Limit		3.8	4.5	5.2	A
I_{LSW}	Switch Leakage Current			0.1	1	μA
V_{UVLO}	INTV_{CC} Undervoltage Lockout	INTV_{CC} Ramping Up	4.1	4.2	4.3	V
$V_{\text{UVLO, HYS}}$	INTV_{CC} Undervoltage Lockout Hysteresis			700		mV

Note 1: Stresses beyond those listed under Absolute Maximum Ratings may cause permanent damage to the device. Exposure to any Absolute Maximum Rating condition for extended periods may affect device reliability and lifetime.

Note 2: The LTC3602E is guaranteed to meet performance specifications from 0°C to 85°C . Specifications over the -40°C to 85°C operating temperature range are assured by design, characterization and correlation with statistical process controls.

Note 3: The LTC3602 is tested in a feedback loop that adjusts V_{FB} to achieve a specified error amplifier output voltage (I_{TH}).

Note 4: Dynamic supply current is higher due to the internal gate charge being delivered at the switching frequency.

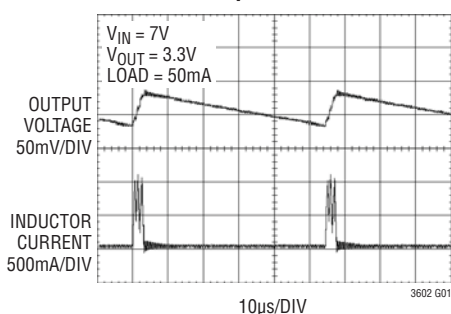
Note 5: T_J is calculated from the ambient temperature T_A and the power dissipation as follows: $T_J = T_A + (P_D)(\theta_{JA} \text{ C/W})$.

Note 6: This IC includes overtemperature protection that is intended to protect the device during momentary overload conditions. Junction temperature will exceed 125°C when overtemperature protection is active. Continuous operation above the specified maximum operating junction temperature may impair device reliability.

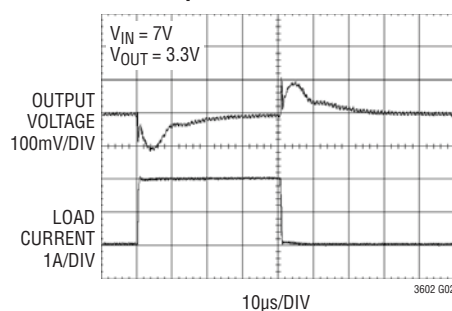
Note 7: This limit indicates the current density limitations of the internal metallization and it is not tested in production.

TYPICAL PERFORMANCE CHARACTERISTICS

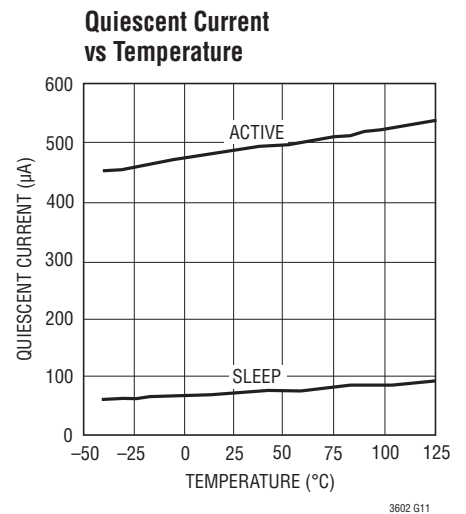
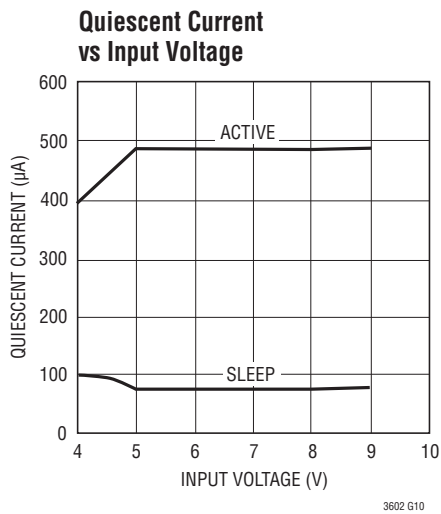
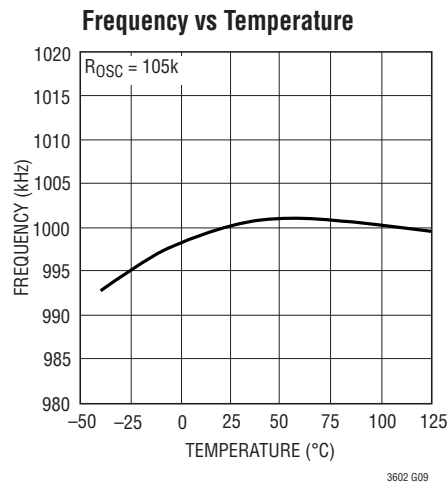
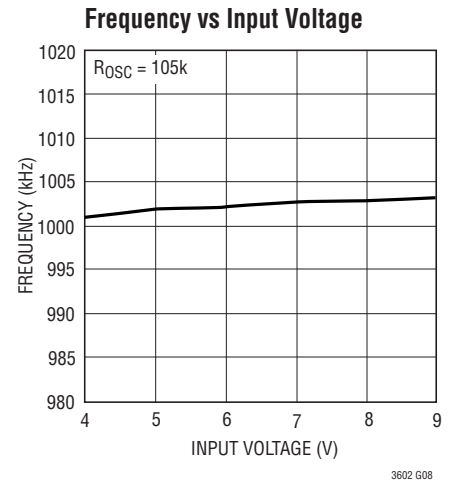
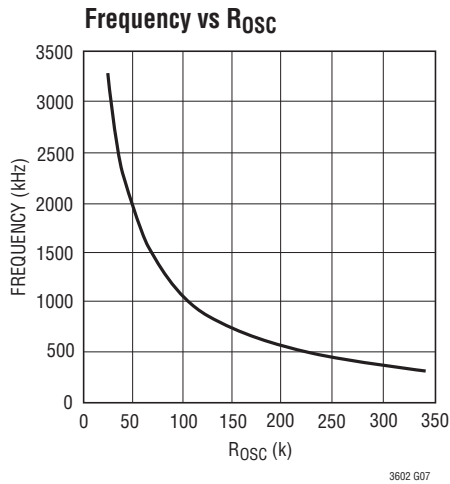
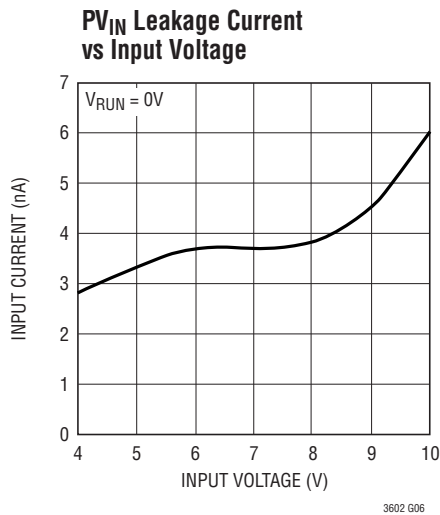
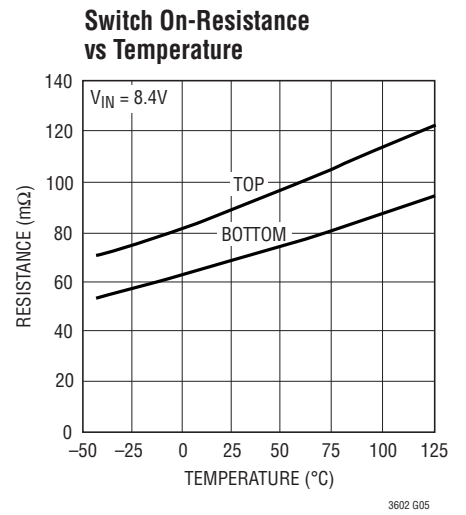
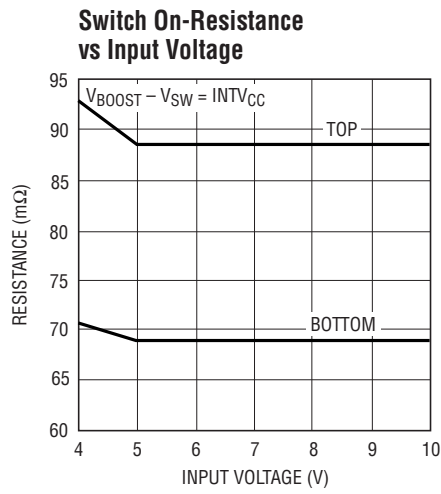
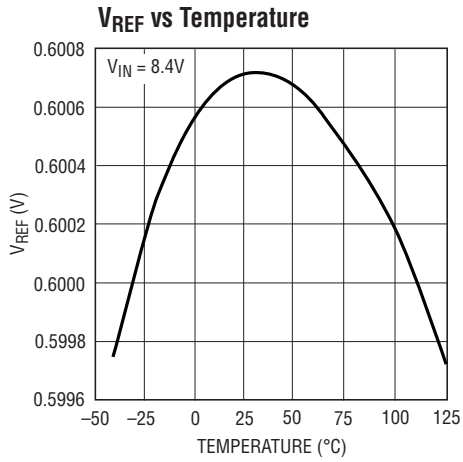
Burst Mode Operation



Load Step Transient Forced Continuous

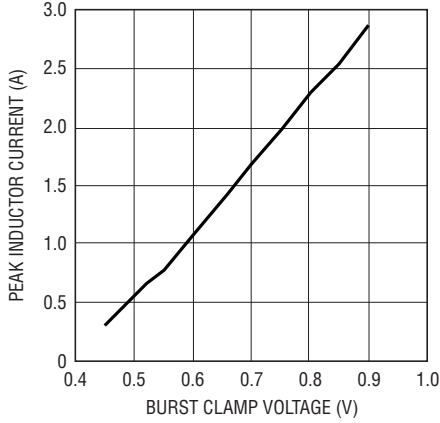


TYPICAL PERFORMANCE CHARACTERISTICS



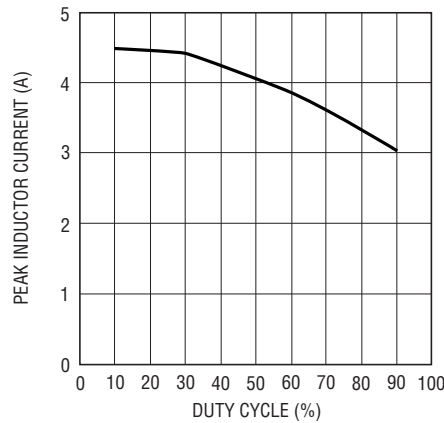
TYPICAL PERFORMANCE CHARACTERISTICS

Minimum Peak Inductor Current vs Burst Clamp Voltage



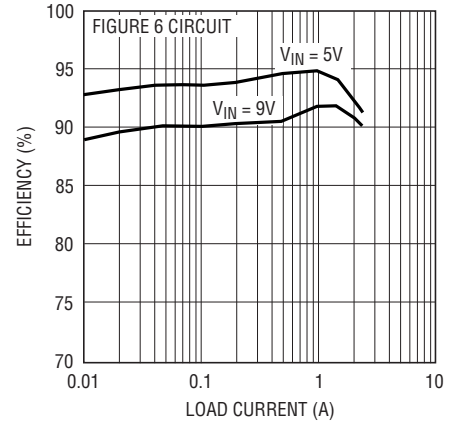
3602 G12

Maximum Peak Inductor Current vs Duty Cycle



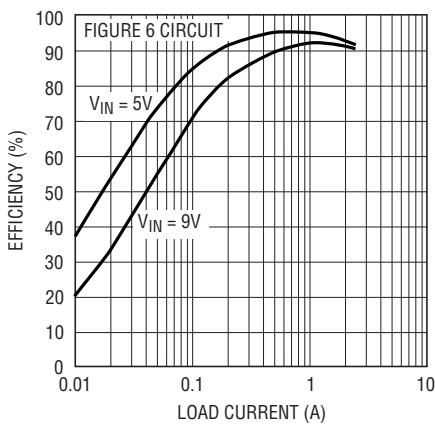
3602 G13

Efficiency vs Load Current, Burst Mode Operation



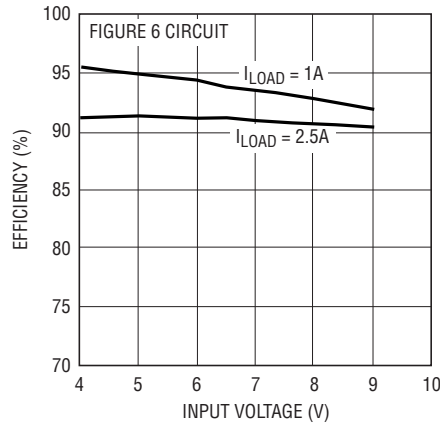
3602 G14

Efficiency vs Load Current, Forced Continuous



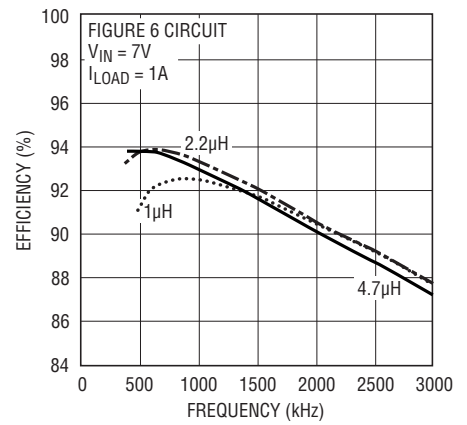
3602 G15

Efficiency vs Input Voltage



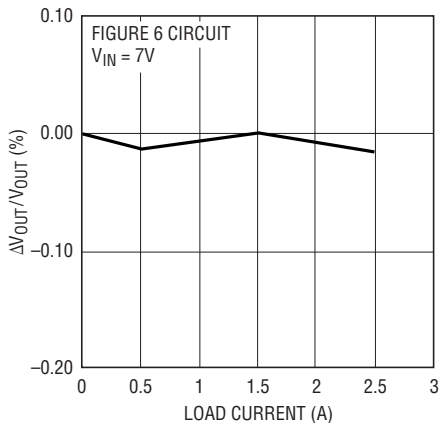
3602 G16

Efficiency vs Frequency



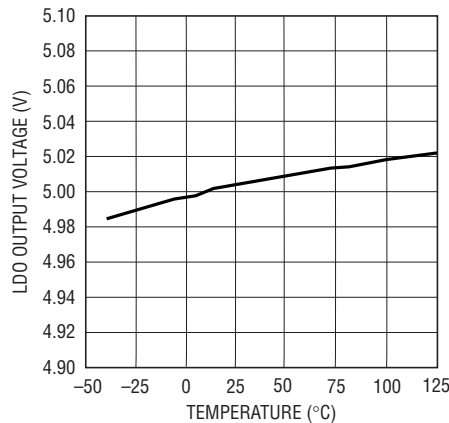
3602 G17

Load Regulation



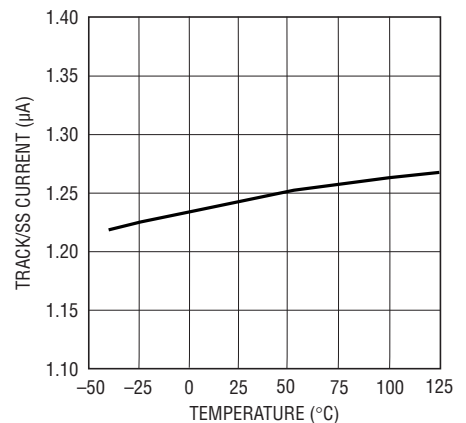
3602 G18

5V LDO Output Voltage vs Temperature



3602 G19

TRACK/SS Current vs Temperature



3602 G20

PIN FUNCTIONS FE/UF Package

SYNC/MODE (Pin 1/Pin 4): Mode Select and External Clock Synchronization Input.

PGOOD (Pin 2/Pin 5): Power Good Output. Open-drain logic output that is pulled to ground when the output voltage is not within $\pm 10\%$ of regulation point.

R_T (Pin 3/Pin 6): Frequency Set Pin.

I_{TH} (Pin 4/Pin 7): Error Amplifier Compensation Point.

V_{FB} (Pin 5/Pin 8): Feedback Pin.

SGND (Pin 17/Pin 9, Pin 21): Signal Ground.

RUN (Pin 6/Pin 10): Run Control Input. This pin may be tied to PV_{IN} to enable the chip.

TRACK/SS (Pin 7/Pin 11): Tracking Input for the Controller or Optional External Soft-Start Input. This pin allows the start-up of V_{OUT} to “track” the external voltage at this pin using an external resistor divider. An external soft-start can

be programmed by connecting a capacitor between this pin and ground. Leave this pin floating to use the internal 1ms soft-start clamp. Do not tie this pin to $INTV_{CC}$ or to PV_{IN} .

PGND (Pins 8, 9, 10/Pins 12, 13, 14, 15): Power Ground.

SW (Pins 11, 12, 13/Pins 16, 17, 18, 19): Switch Node Connection to the Inductor.

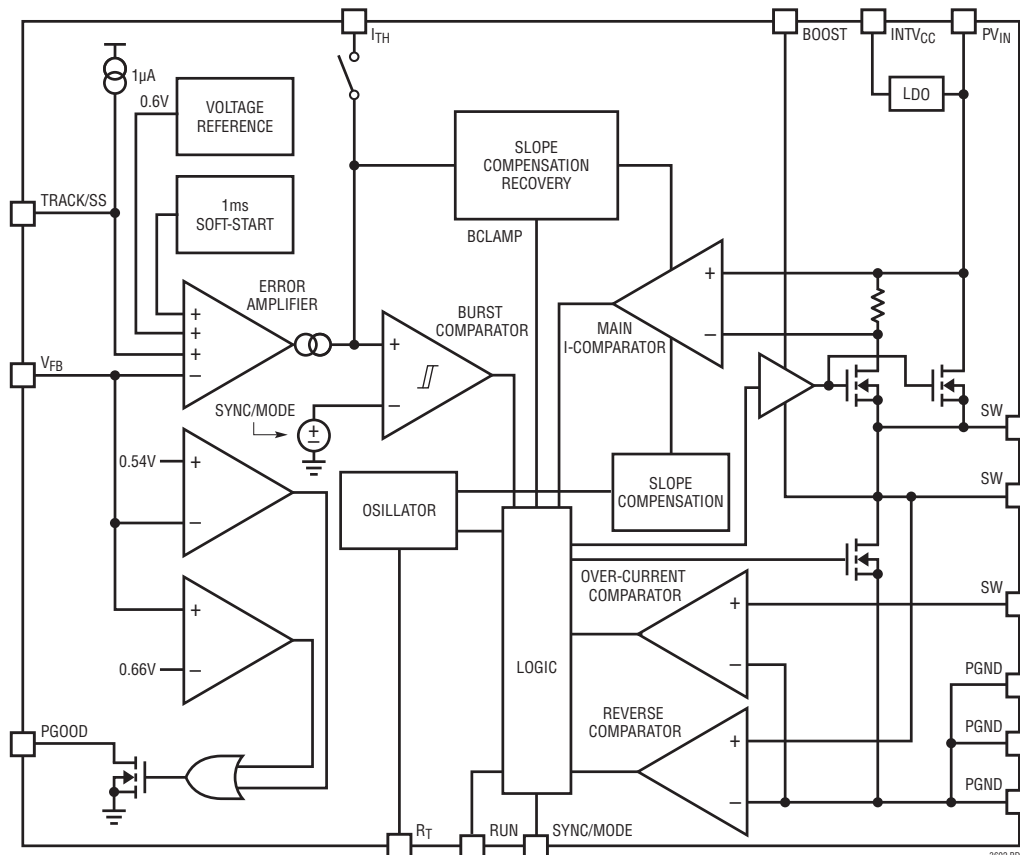
BOOST (Pin 14/Pin 20): Bootstrapped Supply to the Top Side Floating Gate Driver.

PV_{IN} (Pin 15/Pins 1,2): Power Input Supply. Decouple this pin with a capacitor to PGND

$INTV_{CC}$ (Pin 16/Pin 3): Output of Internal 5V LDO.

Exposed Pad (Pin 17/Pin 21): SGND. Exposed pad is signal ground and must be soldered to the PCB.

BLOCK DIAGRAM



OPERATION

Main Control Loop

The LTC3602 is a monolithic, constant-frequency, current-mode step-down DC/DC converter. During normal operation, the internal top power switch (N-channel MOSFET) is turned on at the beginning of each clock cycle. Current in the inductor increases until the current comparator trips and turns off the top power MOSFET. The peak inductor current at which the current comparator shuts off the top power switch is controlled by the voltage on the I_{TH} pin. The error amplifier adjusts the voltage on the I_{TH} pin by comparing the feedback signal from a resistor divider on the V_{FB} pin with an internal 0.6V reference. When the load current increases, it causes a reduction in the feedback voltage relative to the reference. The error amplifier raises the I_{TH} voltage until the average inductor current matches the new load current. When the top power MOSFET shuts off, the synchronous power switch (N-channel MOSFET) turns on until either the bottom current limit is reached or the beginning of the next clock cycle. The bottom current limit is set at $-2.5A$ for forced continuous mode and $0A$ for Burst Mode operation.

The operating frequency is externally set by an external resistor connected between the R_T pin and ground. The practical switching frequency can range from 300kHz to 3MHz.

Overvoltage and undervoltage comparators will pull the PGOOD output low if the output voltage comes out of regulation by $\pm 7.5\%$. In an overvoltage condition, the top power MOSFET is turned off and the bottom power MOSFET is switched on until either the overvoltage condition clears or the bottom MOSFET's current limit is reached.

Forced Continuous Mode

Connecting the SYNC/MODE pin to $INTV_{CC}$ will disable Burst Mode operation and force continuous current operation. At light loads, forced continuous mode operation is less efficient than Burst Mode operation, but may be desirable in some applications where it is necessary to keep switching harmonics out of a signal band. The output voltage ripple is minimized in this mode.

Burst Mode Operation

Connecting the SYNC/MODE pin to a voltage in the range of 0.42V to 1V enables Burst Mode operation. In Burst Mode operation, the internal power MOSFETs operate intermittently at light loads. This increases efficiency by minimizing switching losses. During Burst Mode operation, the minimum peak inductor current is externally set by the voltage on the SYNC/MODE pin and the voltage on the I_{TH} pin is monitored by the burst comparator to determine when sleep mode is enabled and disabled. When the average inductor current is greater than the load current, the voltage on the I_{TH} pin drops. As the I_{TH} voltage falls below 330mV, the burst comparator trips and enables sleep mode. During sleep mode, the top power MOSFET is held off and the I_{TH} pin is disconnected from the output of the error amplifier. The majority of the internal circuitry is also turned off to reduce the quiescent current to 75 μA while the load current is solely supplied by the output capacitor. When the output voltage drops, the I_{TH} pin is reconnected to the output of the error amplifier and the top power MOSFET along with all the internal circuitry is switched back on. This process repeats at a rate that is dependent on the load demand. Pulse-skipping operation is implemented by connecting the SYNC/MODE pin to ground. This forces the burst clamp level to be at 0V. As the load current decreases, the peak inductor current will be determined by the voltage on the I_{TH} pin until the I_{TH} voltage drops below 330mV. At this point, the peak inductor current is determined by the minimum on-time of the current comparator. If the load demand is less than the average of the minimum on-time inductor current, switching cycles will be skipped to keep the output voltage in regulation.

Frequency Synchronization

The internal oscillator of the LTC3602 can be synchronized to an external clock connected to the SYNC/MODE pin. The frequency of the external clock can be in the range of 300kHz to 3MHz. For this application, the oscillator timing resistor should be chosen to correspond to a frequency that is 25% lower than the synchronization frequency. When synchronized, the LTC3602 will operate in pulse-skipping mode.

OPERATION

Dropout Operation

When the input supply voltage decreases toward the output voltage, the duty cycle increases toward the maximum on-time. Further reduction of the supply voltage forces the top switch to remain on for more than one cycle until it attempts to stay on continuously. In order to replenish the voltage on the floating BOOST supply capacitor, however, the top switch is forced off and the bottom switch is forced on for approximately 85ns every sixteen clock cycles. This achieves an effective duty cycle that can exceed 99%. The output voltage will then be primarily determined by the input voltage minus the voltage drop across the upper internal N-channel MOSFET and the inductor.

Slope Compensation and Inductor Peak Current

Slope compensation provides stability in constant-frequency architectures by preventing subharmonic oscillations at duty cycles greater than 50%. It is accomplished internally by adding a compensating ramp to the inductor current signal at duty cycles in excess of 30%. Normally, the maximum inductor peak current is reduced when slope compensation is added. In the LTC3602, however, slope compensation recovery is implemented to reduce the variation of the maximum inductor peak current (and therefore the maximum available output current) over the range of duty cycles.

Short-Circuit Protection

When the output is shorted to ground, the inductor current decays very slowly during a single switching cycle. To prevent current runaway from occurring, a secondary current limit is imposed on the inductor current. If the inductor valley current increases to more than 4.5A, the top power MOSFET will be held off and switching cycles will be skipped until the inductor current is reduced.

Overtemperature Protection

When using the LTC3602 in an application circuit, care must be taken not to exceed any of the ratings specified in the Absolute Maximum Ratings section. As an added safeguard, however, the LTC3602 does incorporate an overtemperature shutdown feature. If the junction temperature reaches approximately 150°C, both power switches will be turned off and the SW node will become high impedance. After the part has cooled to below 115°C, it will restart.

Voltage Tracking and Soft-Start

Some microprocessors and DSP chips need two power supplies with different voltage levels. These systems often require voltage sequencing between the core power supply and the I/O power supply. Without proper sequencing, latch-up failure or excessive current draw may occur that could result in damage to the processor's I/O ports or the I/O ports of a supporting system device such as memory, an FPGA or a data converter. To ensure that the I/O loads are not driven until the core voltage is properly biased, tracking of the core supply and the I/O supply voltage is necessary.

Voltage tracking is enabled by applying a ramp voltage to the TRACK/SS pin. When the voltage on the TRACK pin is below 0.6V, the feedback voltage will regulate to this tracking voltage. When the tracking voltage exceeds 0.6V, tracking is disabled and the feedback voltage will regulate to the internal reference voltage.

The TRACK/SS pin is also used to implement an external soft-start function. A 1.2μA current is sourced from this pin so that an external capacitor may be added to create a smooth ramp. If this ramp is slower than the internal 1ms soft-start, then the output voltage will track this ramp during start up instead. Leave this pin floating to use the internal 1ms soft-start ramp. **Do not tie the TRACK/SS pin to INTV_{CC} or to PV_{IN}.**

APPLICATIONS INFORMATION

The basic LTC3602 application circuit is shown on the front page of this data sheet. External component selection is determined by the maximum load current and begins with the selection of the inductor value and operating frequency followed by C_{IN} and C_{OUT} .

Operating Frequency

Selection of the operating frequency is a tradeoff between efficiency and component size. High frequency operation allows the use of smaller inductor and capacitor values. Operation at lower frequencies improves efficiency by reducing internal gate charge and switching losses but requires larger inductance values and/or capacitance to maintain low output ripple voltage. The operating frequency of the LTC3602 is determined by an external resistor that is connected between the R_T pin and ground. The value of the resistor sets the ramp current that is used to charge and discharge an internal timing capacitor within the oscillator and can be calculated by using the following equation:

$$R_{osc} = \frac{1.15 \cdot 10^{11}}{f(\text{Hz})} - 10k$$

Although frequencies as high as 3MHz are possible, the minimum on-time of the LTC3602 imposes a minimum limit on the operating duty cycle. The minimum on-time is typically 90ns. Therefore, the minimum duty cycle is equal to $100 \cdot 90\text{ns} \cdot f(\text{Hz})$.

Inductor Selection

For a given input and output voltage, the inductor value and operating frequency determine the ripple current. The ripple current ΔI_L increases with higher V_{IN} and decreases with higher inductance.

$$\Delta I_L = \left(\frac{V_{OUT}}{fL} \right) \cdot \left(1 - \frac{V_{OUT}}{V_{IN}} \right)$$

Having a lower ripple current reduces the ESR losses in the output capacitors and the output voltage ripple. Highest efficiency operation is achieved at low frequency with small ripple current. This, however, requires a large inductor.

A reasonable starting point for selecting the ripple current is $\Delta I_L = 0.4(I_{MAX})$, where I_{MAX} is the maximum output current. The largest ripple current occurs at the highest V_{IN} . To guarantee that the ripple current stays below a specified maximum, the inductor value should be chosen according to the following equation:

$$L = \left(\frac{V_{OUT}}{f\Delta I_{L(MAX)}} \right) \cdot \left(1 - \frac{V_{OUT}}{V_{IN(MAX)}} \right)$$

The inductor value will also have an effect on Burst Mode operation. The transition from low current operation begins when the peak inductor current falls below a level set by the burst clamp. Lower inductor values result in higher ripple current which causes this to occur at lower load currents. This causes a dip in efficiency in the upper range of low current operation. In Burst Mode operation, lower inductance values will cause the burst frequency to increase.

Inductor Core Selection

Once the value for L is known, the type of inductor must be selected. High efficiency converters generally cannot afford the core loss found in low cost powdered iron cores, forcing the use of the more expensive ferrite cores. Actual core loss is independent of core size for a fixed inductor value but it is very dependent on the inductance selected. As the inductance increases, core losses decrease. Unfortunately, increased inductance requires more turns of wire and therefore copper losses will increase.

Ferrite designs have very low core losses and are preferred at high switching frequencies, so design goals can concentrate on copper loss and preventing saturation. Ferrite core material saturates "hard," which means that inductance collapses abruptly when the peak design current is exceeded. This results in an abrupt increase in inductor ripple current and consequent output voltage ripple. Do not allow the core to saturate!

Different core materials and shapes will change the size/current and price/current relationship of an inductor. Toroid or shielded pot cores in ferrite or permalloy materials are small and do not radiate energy but generally cost more than powdered iron core inductors with similar

APPLICATIONS INFORMATION

characteristics. The choice of which style inductor to use mainly depends on the price vs size requirements and any radiated field/EMI requirements. New designs for surface mount inductors are available from Coiltronics, Coilcraft, Toko and Sumida.

C_{IN} and C_{OUT} Selection

The input capacitance, C_{IN} , is needed to filter the trapezoidal current at the source of the top MOSFET. To prevent large ripple voltage, a low ESR input capacitor sized for the maximum RMS current should be used. RMS current is given by:

$$I_{RMS} = I_{OUT(MAX)} \cdot \frac{V_{OUT}}{V_{IN}} \cdot \sqrt{\frac{V_{IN}}{V_{OUT}} - 1}$$

This formula has a maximum at $V_{IN} = 2V_{OUT}$, where $I_{RMS} = I_{OUT}/2$. This simple worst-case condition is commonly used for design because even significant deviations do not offer much relief. Note that ripple current ratings from capacitor manufacturers are often based on only 2000 hours of life which makes it advisable to further derate the capacitor, or choose a capacitor rated at a higher temperature than required. Several capacitors may also be paralleled to meet size or height requirements in the design.

The selection of C_{OUT} is determined by the effective series resistance (ESR) that is required to minimize voltage ripple and load step transients, as well as the amount of bulk capacitance that is necessary to ensure that the control loop is stable. Loop stability can be checked by viewing the load transient response as described in a later section. The output ripple, ΔV_{OUT} , is determined by:

$$\Delta V_{OUT} \leq \Delta I_L \cdot \left(ESR + \frac{1}{8fC_{OUT}} \right)$$

The output ripple is highest at maximum input voltage since ΔI_L increases with input voltage. Multiple capacitors placed in parallel may be needed to meet the ESR and RMS current handling requirements. Dry tantalum, special polymer, aluminum electrolytic and ceramic capacitors are all available in surface mount packages. Special polymer capacitors offer very low ESR but have lower capacitance

density than other types. Tantalum capacitors have the highest capacitance density but it is important to only use types that have been surge tested for use in switching power supplies. Aluminum electrolytic capacitors have significantly higher ESR but can be used in cost-sensitive applications provided that consideration is given to ripple current ratings and long term reliability. Ceramic capacitors have excellent low ESR characteristics but can have a high voltage coefficient and audible piezoelectric effects. The high Q of ceramic capacitors with trace inductance can also lead to significant ringing.

Using Ceramic Input and Output Capacitors

Higher values, lower cost ceramic capacitors are now becoming available in smaller case sizes. Their high ripple current, high voltage rating and low ESR make them ideal for switching regulator applications. However, care must be taken when these capacitors are used at the input and output. When a ceramic capacitor is used at the input and the power is supplied by a wall adapter through long wires, a load step at the output can induce ringing at the input, V_{IN} . At best, this ringing can couple to the output and be mistaken as loop instability. At worst, a sudden inrush of current through the long wires can potentially cause a voltage spike at V_{IN} large enough to damage the part.

Output Voltage Programming

The output voltage is set by an external resistive divider according to the following equation:

$$V_{OUT} = 0.6V \cdot \left(1 + \frac{R2}{R1} \right)$$

The resistive divider allows the V_{FB} pin to sense a fraction of the output voltage as shown in Figure 1.

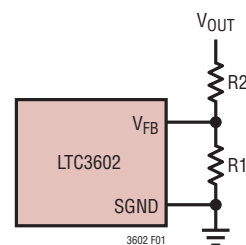


Figure 1. Setting the Output Voltage

APPLICATIONS INFORMATION

Burst Clamp Programming

If the voltage on the SYNC/MODE pin is less than $INTV_{CC}$ by 1V or more, Burst Mode operation is enabled. During Burst Mode operation, the voltage on the SYNC/MODE pin determines the burst clamp level. This level sets the minimum peak inductor current, I_{BURST} , for each switching cycle according to the following equation:

$$V_{BURST} = \frac{I_{BURST}}{6A/V} + 0.42V$$

V_{BURST} is the voltage on the SYNC/MODE pin. I_{BURST} can be programmed in the range of 0A to 3.5A, which corresponds to a V_{BURST} range of 0.42V to 1V. As the output load current drops, the peak inductor current decreases to keep the output voltage in regulation. When the output load current demands a peak inductor current that is less than I_{BURST} , the burst clamp will force the peak inductor current to remain equal to I_{BURST} regardless of further reductions in the load current. Since the average inductor current is therefore greater than the output load current, the voltage on the I_{TH} pin will decrease. When the I_{TH} voltage drops to 330mV, sleep mode is enabled in which both power MOSFETs are shut off along with most of the circuitry to minimize power consumption. All circuitry is turned back on and the power MOSFETs begin switching again when the output voltage drops out of regulation. The value for I_{BURST} is determined by the desired amount of output voltage ripple. As the value of I_{BURST} increases, the sleep time between pulses and the output voltage ripple increases. The burst clamp voltage, V_{BURST} , can be set by a resistor divider from the $INTV_{CC}$ pin. Alternatively, the SYNC/MODE pin may be tied directly to the V_{FB} pin to set $V_{BURST} = 0.6V$ ($I_{BURST} = 1A$), or through an additional divider resistor ($R3$) to set $V_{BURST} = 0.46V$ to $0.6V$ (see Figure 2).

Pulse-skipping, which is a compromise between low output voltage ripple and efficiency, can be implemented by connecting the SYNC/MODE pin to ground. This sets I_{BURST} to 0A. In this condition, the peak inductor current is limited by the minimum on-time of the current comparator and the lowest output voltage ripple is achieved while still operating discontinuously. During very light output loads, pulse-skipping allows only a few switching cycles to be skipped while maintaining the output voltage in regulation.

Frequency Synchronization

The LTC3602's internal oscillator can be synchronized to an external clock signal. During synchronization, the top MOSFET turn-on is locked to the falling edge of the external frequency source. The synchronization frequency range is 300kHz to 3MHz. Synchronization only occurs if the external frequency is greater than the frequency set by the R_T resistor. Because slope compensation is generated by the oscillator's internal ramp, the external frequency should be set 25% higher than the frequency set by the R_T resistor to ensure that adequate slope compensation is present. When synchronized, the LTC3602 will operate in pulse-skipping mode.

$INTV_{CC}$ Regulator

The LTC3602 features an integrated P-channel low dropout linear regulator (LDO) that supplies power to the $INTV_{CC}$ supply pin from the PV_{IN} pin. This LDO supply has been designed to deliver up to 35mA of load current for the powering of the internal gate drivers and other internal circuitry. A small external load may also be applied provided that the total current from the $INTV_{CC}$ supply does not exceed 35mA. The $INTV_{CC}$ pin should be bypassed with no less than a 0.22 μ F ceramic capacitor. A 1 μ F ceramic capacitor is suitable for most applications.

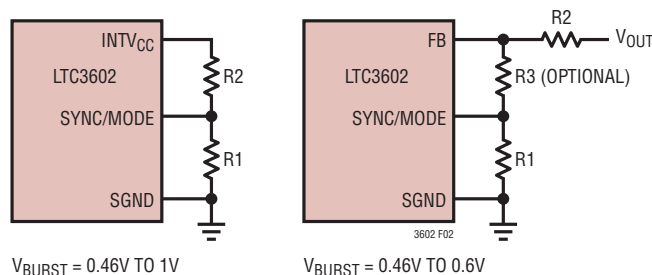


Figure 2. Programming the Burst Clamp

APPLICATIONS INFORMATION

Topside MOSFET Driver Supply (BOOST Pin)

The LTC3602 uses a bootstrapped supply to power the gate of the internal topside MOSFET (Figure 3). When the topside MOSFET is off and the SW pin is low, diode D_{BST} charges capacitor C_{BST} to the voltage on the $INTV_{CC}$ supply. In order to turn on the topside MOSFET, the voltage on the BOOST pin is then applied to its gate. As the topside MOSFET turns on, the SW pin rises to the PV_{IN} voltage and the BOOST pin rises to $PV_{IN} + INTV_{CC}$, thereby keeping the MOSFET fully enhanced. For most applications, a $0.22\mu\text{F}$ ceramic capacitor is appropriate for C_{BST} . Schottky diode D_{BST} should have a reverse breakdown voltage that is greater than $PV_{IN(MAX)}$.

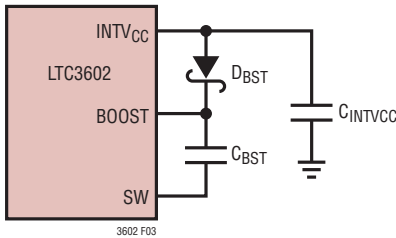


Figure 3. Topside MOSFET Supply

Run and Soft-Start/Tracking Functions

The LTC3602 has a low power shutdown mode which is controlled by the RUN pin. Pulling the RUN pin below 0.7V puts the LTC3602 into a low quiescent current shutdown mode ($I_Q < 1\mu\text{A}$). When the RUN pin is greater than 0.7V , the controller is enabled. The RUN pin can be driven directly from logic as shown in Figure 4.

Soft-start and tracking are implemented by limiting the effective reference voltage as seen by the error amplifier. Ramping up the effective reference into the error amp in turn causes a smooth and controlled ramp on the output

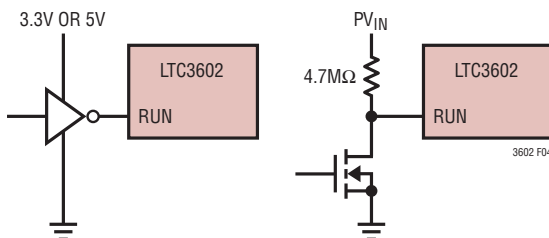


Figure 4. RUN Pin Interfacing

voltage of the converter. To use the default, internal 1ms soft-start ramp, leave the TRACK/SS pin floating. **Do not tie the TRACK/SS pin to $INTV_{CC}$ or to PV_{IN} .** To increase the soft-start time above 1ms , place a cap on the TRACK/SS pin. A $1.2\mu\text{A}$ internal pull-up current will charge this cap, resulting in a soft-start ramp time given by:

$$t_{SS} = C_{SS} \cdot \frac{0.6}{1.2\mu\text{A}}$$

When the LTC3602 detects a fault condition (either undervoltage lockout or overtemperature), the TRACK/SS pin is quickly pulled to ground and the internal soft-start timer is also reset. This ensures an orderly restart when using an external soft-start capacitor.

To implement tracking, a resistor divider is placed between an external supply (V_X) and the TRACK/SS pin as shown in Figure 5a. This technique can be used to cause V_{OUT} to ratiometrically track the V_X supply (Figure 5b), according to the following:

$$\frac{V_{OUT}}{V_X} = \frac{R_{TA}}{R_A} \cdot \frac{R_A + R_B}{R_{TA} + R_{TB}}$$

For coincident tracking, as shown in Figure 5c, ($V_{OUT} = V_X$ during start-up),

$$R_{TA} = R_A, R_{TB} = R_B$$

Note that the $1.2\mu\text{A}$ current that is sourced from the TRACK/SS pin will cause a slight offset in the voltage seen on the TRACK/SS pin and consequently on the V_{OUT} voltage during tracking. This V_{OUT} offset due to the TRACK/SS current is given by:

$$V_{OS,TRK} = (1.2\mu\text{A}) \cdot \frac{R_{TA} R_{TA}}{R_{TA} + R_{TB}} \cdot \frac{R_A + R_B}{R_A}$$

For most applications, this offset is small and has minimal effect on tracking performance. For improved tracking accuracy, reduce the parallel impedance of R_{TA} and R_{TB} .

APPLICATIONS INFORMATION

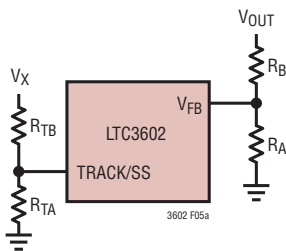
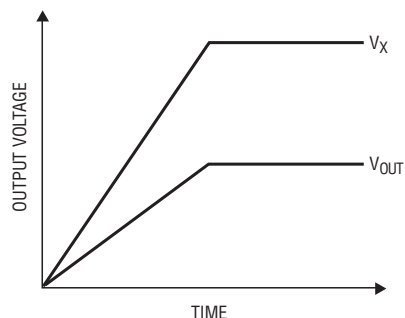
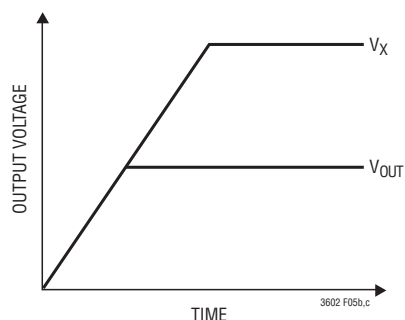


Figure 5a. Using the TRACK/SS Pin to Track V_X



(5b) Ratiometric Tracking



(5c) Coincident Tracking

Efficiency Considerations

The efficiency of a switching regulator is equal to the output power divided by the input power times 100%. It is often useful to analyze individual losses to determine what is limiting the efficiency and which change would produce the most improvement. Efficiency can be expressed as:

$$\text{Efficiency} = 100\% - (L1 + L2 + L3 + \dots)$$

where L1, L2, etc. are the individual losses as a percentage of input power.

Although all dissipative elements in the circuit produce losses, two main sources usually account for most of the losses: V_{IN} operating current and I^2R losses.

The V_{IN} operating current loss dominates the efficiency loss at very low load currents whereas the I^2R loss dominates the efficiency loss at medium to high load currents.

1. The V_{IN} operating current comprises three components: The DC Supply Current as given in the electrical characteristics, the internal MOSFET gate charge currents and the internal topside MOSFET transition losses. The MOSFET gate charge current results from switching the gate capacitance of the internal power MOSFET switches. The gates of these switches are driven from the $INTV_{CC}$ supply. Each time the gate is switched from high to low to high again, a packet of charge dQ moves from $INTV_{CC}$ to ground. The resulting dQ/dt is the current out of $INTV_{CC}$ that is typically larger than the DC bias current. In continuous mode, the gate charge current can be approximated by $I_{GATECHG} = f(9.5nC)$. Since the $INTV_{CC}$ voltage is generated from V_{IN} by a linear regulator, the current that is internally drawn from the $INTV_{CC}$ supply can be treated as V_{IN} current for the purposes of efficiency considerations.

Transition losses apply only to the internal topside MOSFET and become more prominent at higher input voltages. Transition losses can be estimated from:

$$\text{Transition Loss} = (1.7) V_{IN}^2 \cdot I_{O(MAX)} \cdot (120pF) \cdot f$$

2. I^2R losses are calculated from the resistances of the internal switches, R_{SW} and external inductor R_L . In continuous mode, the average output current flowing through inductor L is “chopped” between the main switch and the synchronous switch. Thus, the series resistance looking into the SW pin is a function of both top and bottom MOSFET $R_{DS(ON)}$ and the duty cycle (DC) as follows:

$$R_{SW} = (R_{DS(ON)TOP})(DC) + (R_{DS(ON)BOT})(1 - DC)$$

The $R_{DS(ON)}$ for both the top and bottom MOSFETs can be obtained from the Typical Performance Characteristics curves. Thus, to obtain I^2R losses, simply add R_{SW} to R_L and multiply the result by the square of the average output current:

$$I^2R \text{ Loss} = I_O^2(R_{SW} + R_L)$$

Other losses, including C_{IN} and C_{OUT} ESR dissipative losses and inductor core losses, generally account for less than 2% of the total power loss.

APPLICATIONS INFORMATION

Thermal Considerations

In most applications, the LTC3602 does not dissipate much heat due to its high efficiency. But, in applications where the LTC3602 is running at high ambient temperature with low supply voltage and high duty cycles, such as in dropout, the heat dissipated may exceed the maximum junction temperature of the part. If the junction temperature reaches approximately 150°C, both power switches will be turned off and the SW node will become high impedance.

To prevent the LTC3602 from exceeding the maximum junction temperature, the user will need to do some thermal analysis. The goal of the thermal analysis is to determine whether the power dissipated exceeds the maximum junction temperature of the part. The temperature rise is given by:

$$T_R = (P_D) \cdot (\theta_{JA})$$

where P_D is the power dissipated by the regulator and θ_{JA} is the thermal resistance from the junction of the die to the ambient temperature.

The junction temperature, T_J , is given by:

$$T_J = T_A + T_R$$

where T_A is the ambient temperature.

As an example, consider the LTC3602 in dropout at an input voltage of 8V, a load current of 2.5A and an ambient temperature of 70°C. From the Typical Performance graph of Switch Resistance, the $R_{DS(ON)}$ of the top switch at 70°C is approximately 120mΩ. Therefore, power dissipated by the part is:

$$P_D = (I_{LOAD}^2)(R_{DS(ON)}) = (2.5A)^2(120m\Omega) = 0.75W$$

For the TSSOP package, the θ_{JA} is 38°C/W. Thus the junction temperature of the regulator is:

$$T_J = 70^\circ C + (0.75W)(38^\circ C/W) = 98.5^\circ C$$

which is below the maximum junction temperature of 125°C.

Checking Transient Response

The regulator loop response can be checked by looking at the load transient response. Switching regulators take several cycles to respond to a step in load current. When a load step occurs, V_{OUT} immediately shifts by an amount equal to $\Delta I_{LOAD} \cdot (ESR)$, where ESR is the effective series resistance of C_{OUT} . ΔI_{LOAD} also begins to charge or discharge C_{OUT} , generating a feedback error signal used by the regulator to return V_{OUT} to its steady-state value. During this recovery time, V_{OUT} can be monitored for overshoot or ringing that would indicate a stability problem. The I_{TH} pin external components and output capacitor shown in the front page application will provide adequate compensation for most applications.

Design Example

As a design example, consider using the LTC3602 in an application with the following specifications: $V_{IN} = 8.4V$, $V_{OUT} = 3.3V$, $I_{OUT(MAX)} = 2.5A$, $I_{OUT(MIN)} = 100mA$, $f = 1MHz$. Because efficiency is important at both high and low load current, Burst Mode operation will be utilized. First, calculate the timing resistor:

$$R_{OSC} = \frac{1.15 \cdot 10^{11}}{1MHz} - 10k = 105k$$

Next, calculate the inductor value for about 40% ripple current at maximum V_{IN} :

$$L = \left(\frac{3.3V}{(1MHz)(1A)} \right) \cdot \left(1 - \frac{3.3V}{8.4V} \right) = 2\mu H$$

Using a 2.2μH inductor results in a maximum ripple current of:

$$\Delta I_L = \left(\frac{3.3V}{(1MHz)(2.2\mu H)} \right) \cdot \left(1 - \frac{3.3V}{8.4V} \right) = 0.91A$$

C_{OUT} will be selected based on the ESR that is required to satisfy the output voltage ripple requirement and the bulk capacitance needed for loop stability. In this application, a tantalum capacitor will be used to provide the bulk

APPLICATIONS INFORMATION

capacitance and a ceramic capacitor in parallel to lower the total effective ESR. For this design, a 100 μ F ceramic capacitor will be used. C_{IN} should be sized for a maximum current rating of:

$$I_{RMS} = 2.5A \cdot \frac{3.3V}{8.4V} \cdot \sqrt{\frac{8.4V}{3.3V} - 1} = 1.22A_{RMS}$$

Decoupling the PV_{IN} pin with a 22 μ F ceramic capacitor is adequate for most applications.

The output voltage can now be programmed by choosing the values of R1 and R2. Chose R1 = 105k and calculate R2 as:

$$R2 = R1 \left(\frac{V_{OUT}}{0.6V} - 1 \right) = 472.5k$$

Choose a standard value of R2 = 475k. The voltage on the MODE pin will be set to 0.6V by tying the MODE pin to the FB pin. This will set the burst current equal to approximately 1A. Figure 6 shows a complete schematic for this design example.

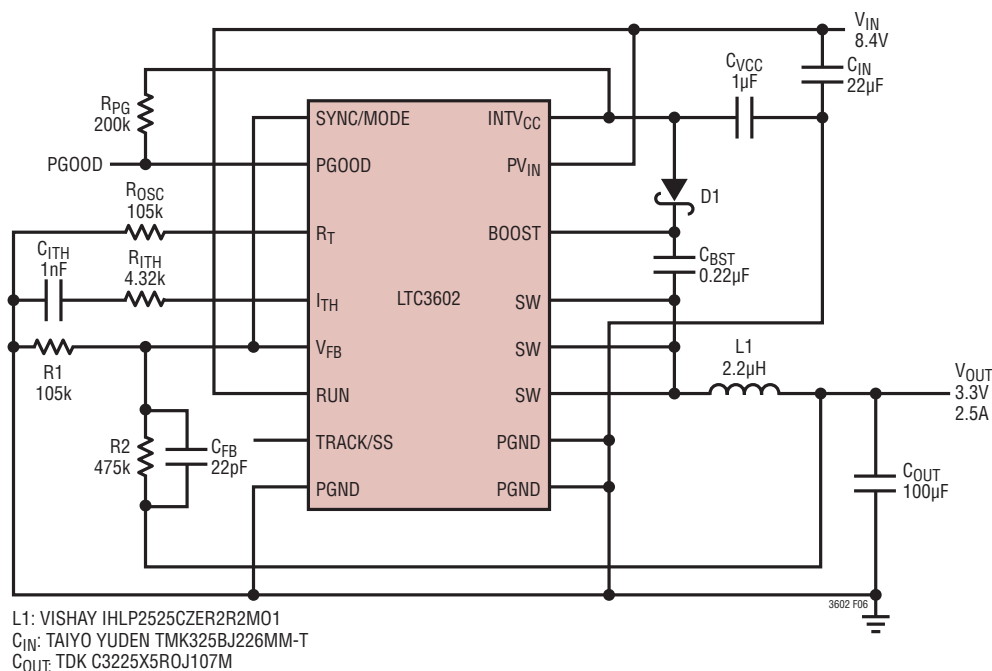


Figure 6. 8.4V to 3.3V, 2.5A Regulator at 1MHz, Burst Mode Operation

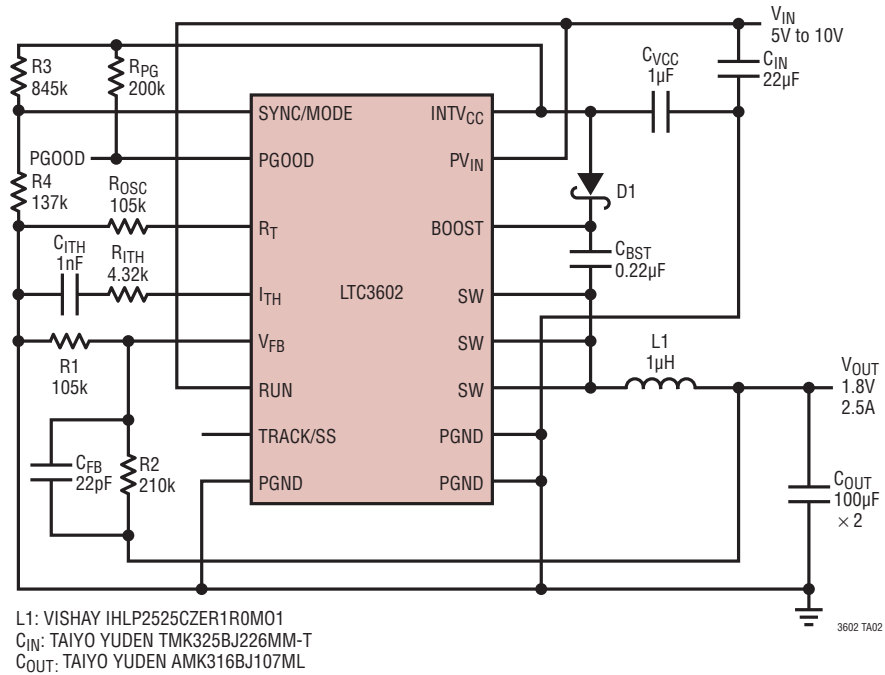
PC Board Layout Checklist

When laying out the printed circuit board, the following checklist should be used to ensure proper operation of the LTC3602. Check the following in your layout:

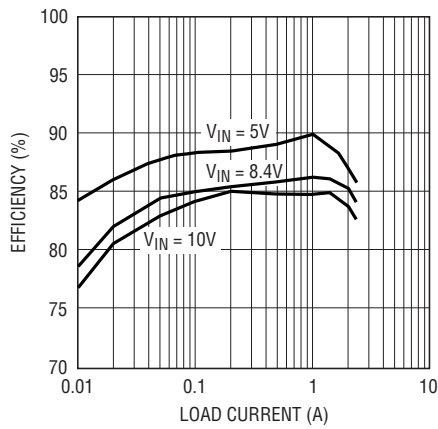
1. A ground plane is recommended. If a ground plane layer is not used, the signal and power grounds should be segregated with all small signal components returning to the SGND pin at one point which is then connected to the PGND pin close to the LTC3602.
2. Connect the (+) terminal of the input capacitor(s), C_{IN} , as close as possible to the PV_{IN} pin. This capacitor provides the AC current into the internal power MOSFETs.
3. Keep the switching node, SW, away from all sensitive small signal nodes.
4. Flood all unused areas on all layers with copper. Flooding with copper will reduce the temperature rise of power components. You can connect the copper areas to any DC net (PV_{IN} , $INTV_{CC}$, V_{OUT} , PGND, SGND, or any other DC rail in your system).

TYPICAL APPLICATIONS

1.8V, 2.5A Regulator at 1MHz, Burst Mode Operation

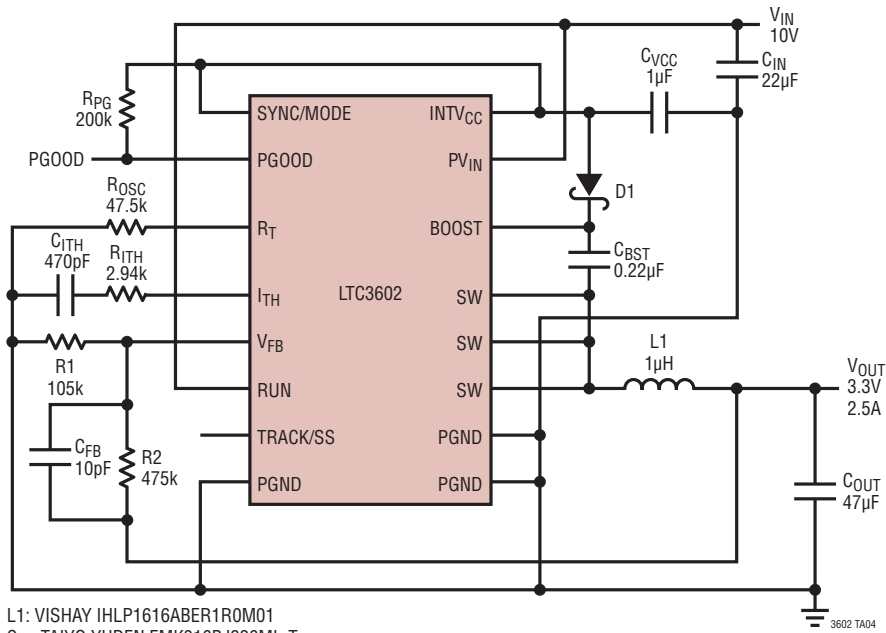


Efficiency vs Load Current



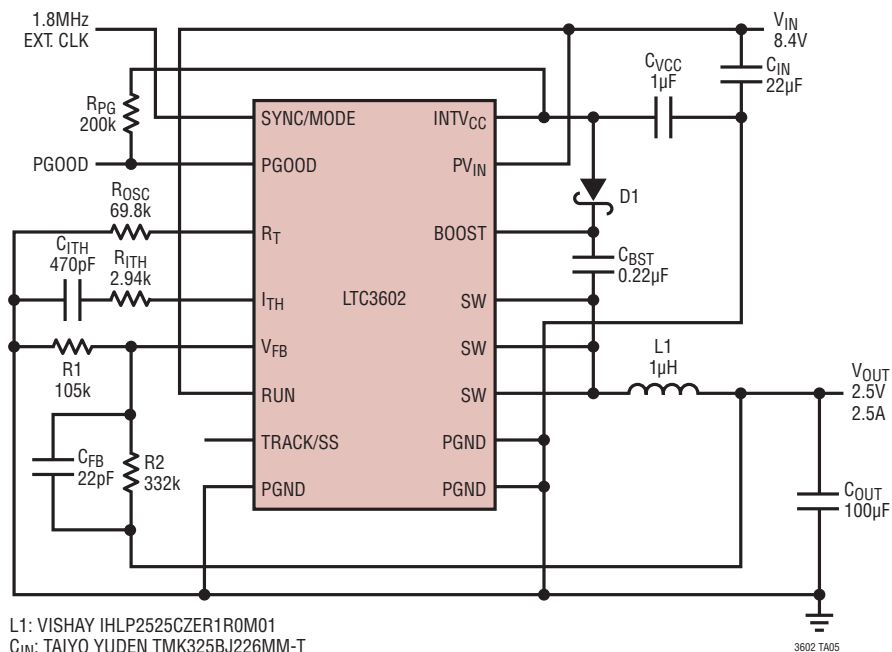
TYPICAL APPLICATIONS

3.3V, 2.5A Regulator at 2MHz, Forced Continuous, Small Size



L1: VISHAY IHLP1616ABER1R0M01
 CIN: TAIYO YUDEN EMK316BJ226ML-T
 COUT: MURATA GRM31CR60J476ME19

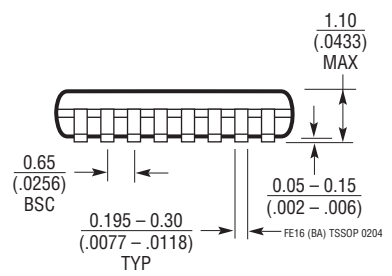
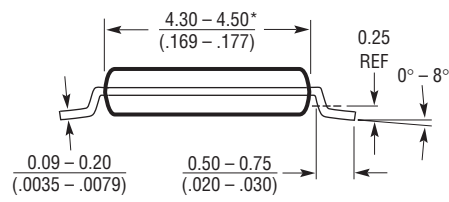
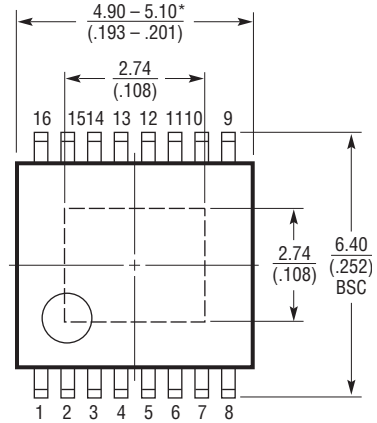
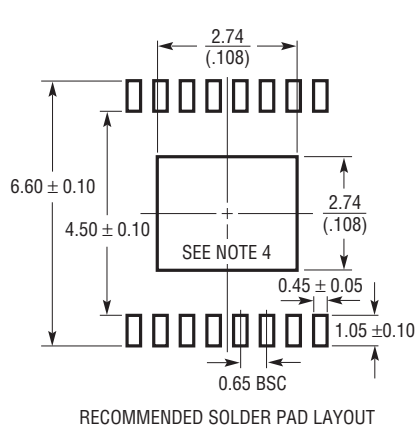
2.5V, 2.5A Regulator, Synchronized to 1.8MHz



L1: VISHAY IHLP2525CZER1R0M01
 CIN: TAIYO YUDEN TMK325BJ226MM-T
 COUT: TDK C3225X5ROJ107M

PACKAGE DESCRIPTION

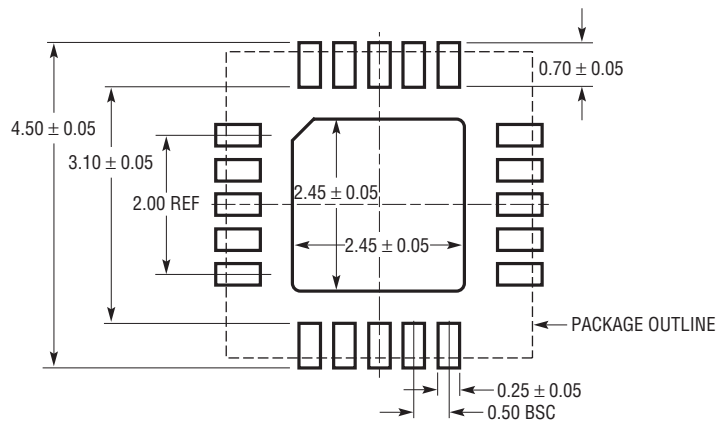
FE Package
16-Lead Plastic TSSOP (4.4mm)
 (Reference LTC DWG # 05-08-1663)
Exposed Pad Variation BA



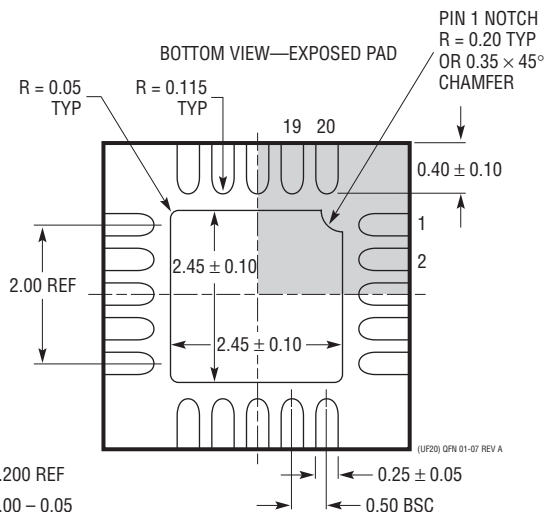
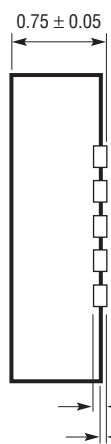
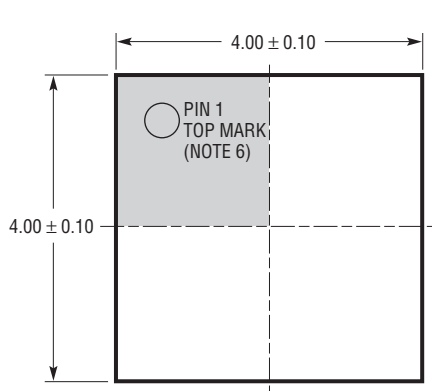
- NOTE:
1. CONTROLLING DIMENSION: MILLIMETERS
 2. DIMENSIONS ARE IN $\frac{\text{MILLIMETERS}}{\text{(INCHES)}}$
 3. DRAWING NOT TO SCALE
 4. RECOMMENDED MINIMUM PCB METAL SIZE FOR EXPOSED PAD ATTACHMENT
- *DIMENSIONS DO NOT INCLUDE MOLD FLASH. MOLD FLASH SHALL NOT EXCEED 0.150mm (.006") PER SIDE

PACKAGE DESCRIPTION

UF Package
20-Lead Plastic QFN (4mm × 4mm)
 (Reference LTC DWG # 05-08-1710 Rev A)



RECOMMENDED SOLDER PAD PITCH AND DIMENSIONS
 APPLY SOLDER MASK TO AREAS THAT ARE NOT SOLDERED



- NOTE:
1. DRAWING IS PROPOSED TO BE MADE A JEDEC PACKAGE OUTLINE MO-220 VARIATION (WGGD-1)—TO BE APPROVED
 2. DRAWING NOT TO SCALE
 3. ALL DIMENSIONS ARE IN MILLIMETERS
 4. DIMENSIONS OF EXPOSED PAD ON BOTTOM OF PACKAGE DO NOT INCLUDE MOLD FLASH. MOLD FLASH, IF PRESENT, SHALL NOT EXCEED 0.15mm ON ANY SIDE
 5. EXPOSED PAD SHALL BE SOLDER PLATED
 6. SHADED AREA IS ONLY A REFERENCE FOR PIN 1 LOCATION ON THE TOP AND BOTTOM OF PACKAGE

RELATED PARTS

PART NUMBER	DESCRIPTION	COMMENTS
LTC1877	600mA (I_{OUT}), 550kHz, Synchronous Step-Down DC/DC Converter	96% Efficiency, V_{IN} : 2.7V to 10V, $V_{OUT(MIN)} = 0.8V$, $I_Q = 10\mu A$, $I_{SD} < 1\mu A$, MS8 Package
LTC1879	1.2A (I_{OUT}), 550kHz, Synchronous Step-Down DC/DC Converter	95% Efficiency, V_{IN} : 2.7V to 10V, $V_{OUT(MIN)} = 0.8V$, $I_Q = 15\mu A$, $I_{SD} < 1\mu A$, TTSOP-16 Package
LTC3404	600mA (I_{OUT}), 1.4MHz, Synchronous Step-Down DC/DC Converter	95% Efficiency, V_{IN} : 2.7V to 6V, $V_{OUT(MIN)} = 0.8V$, $I_Q = 10\mu A$, $I_{SD} < 1\mu A$, MS8 Package
LTC3405/LTC3405A	300mA (I_{OUT}), 1.5MHz, Synchronous Step-Down DC/DC Converter	95% Efficiency, V_{IN} : 2.5V to 5.5V, $V_{OUT(MIN)} = 0.8V$, $I_Q = 20\mu A$, $I_{SD} < 1\mu A$, ThinSOT™ Package
LTC3406/LTC3406B	600mA (I_{OUT}), 1.5MHz, Synchronous Step-Down DC/DC Converter	96% Efficiency, V_{IN} : 2.5V to 5.5V, $V_{OUT(MIN)} = 0.6V$, $I_Q = 20\mu A$, $I_{SD} < 1\mu A$, ThinSOT Package
LTC3407/LTC3407-2	Dual 600mA/810mA (I_{OUT}), 1.5MHz, Synchronous Step-Down DC/DC Converter	95% Efficiency, V_{IN} : 2.5V to 5.5V, $V_{OUT(MIN)} = 0.6V$, $I_Q = 40\mu A$, $I_{SD} < 1\mu A$, MS10E and 3mm × 3mm DFN Packages
LTC3409	600mA, 2.6MHz, Low (V_{IN}) Synchronous Step-Down DC/DC Converter	95% Efficiency, V_{IN} : 1.6V to 5.5V, $I_Q = 65\mu A$, $I_{SD} < 1\mu A$, 3mm × 3mm DFN Package
LTC3411	1.25A (I_{OUT}), 4MHz, Synchronous Step-Down DC/DC Converter	95% Efficiency, V_{IN} : 2.5V to 5.5V, $V_{OUT(MIN)} = 0.8V$, $I_Q = 60\mu A$, $I_{SD} < 1\mu A$, MS10 and 3mm × 3mm DFN Packages
LTC3412	2.5A (I_{OUT}), 4MHz, Synchronous Step-Down DC/DC Converter	95% Efficiency, V_{IN} : 2.5V to 5.5V, $V_{OUT(MIN)} = 0.8V$, $I_Q = 60\mu A$, $I_{SD} < 1\mu A$, TSSOP-16E Package
LTC3413	3A (I_{OUT} Sink/Source), 2MHz, Monolithic Synchronous Regulator for DDR/QDR Memory Termination	90% Efficiency, V_{IN} : 2.25V to 5.5V, $V_{OUT(MIN)} = V_{REF/2}$, $I_Q = 280\mu A$, $I_{SD} < 1\mu A$, TSSOP-16E Package
LTC3414	4A (I_{OUT}), 4MHz, Synchronous Step-Down DC/DC Converter	95% Efficiency, V_{IN} : 2.5V to 5.5V, $V_{OUT(MIN)} = 0.8V$, $I_Q = 64\mu A$, $I_{SD} < 1\mu A$, TSSOP-20E Package
LTC3416	4A (I_{OUT}), 4MHz, Synchronous Step-Down DC/DC Converter	95% Efficiency, V_{IN} : 2.25V to 5.5V, $V_{OUT(MIN)} = 0.8V$, $I_Q = 64\mu A$, $I_{SD} < 1\mu A$, TSSOP-20E Package
LTC3418	8A (I_{OUT}), 4MHz, Synchronous Step-Down DC/DC Converter	95% Efficiency, V_{IN} : 2.25V to 5.5V, $V_{OUT(MIN)} = 0.8V$, $I_Q = 380\mu A$, $I_{SD} < 1\mu A$, QFN Package
LTC3430	60V, 2.75A (I_{OUT}), 200kHz, High Efficiency Step-Down DC/DC Converter	90% Efficiency, V_{IN} : 5.5V to 60V, $V_{OUT(MIN)} = 1.2V$, $I_Q = 2.5mA$, $I_{SD} = 25\mu A$, TSSOP-16E Package
LTC3441	1.2A (I_{OUT}), 1MHz, Synchronous Buck-Boost DC/DC Converter	95% Efficiency, V_{IN} : 2.5V to 5.5V, V_{OUT} : 2.5V to 5.5V, $I_Q = 25\mu A$, $I_{SD} < 1\mu A$, DFN Package
LTC3533	2A, 2MHz, Wide Input Voltage Synchronous Buck-Boost DC/DC Converter	96% Efficiency, V_{IN} : 1.8V to 5.5V, $I_Q = 40\mu A$, $I_{SD} < 1\mu A$, 3mm × 4mm DFN Package
LTC3548	400mA/800mA Dual Synchronous Buck-Boost DC/DC Converter	95% Efficiency, V_{IN} : 2.5V to 5.5V, $V_{OUT(MIN)} = 0.6V$, $I_Q = 40\mu A$, $I_{SD} < 1\mu A$, MS8E and DFN Packages
LTC3610	12A, 24V, Synchronous Step-Down DC/DC Converter	95% Efficiency, V_{IN} : 4V to 24V, $V_{OUT(MIN)} = 0.6V$, Fast Transient Response, $I_Q = 900\mu A$, $I_{SD} < 15\mu A$, 9mm × 9mm QFN Package
LTC3611	10A, 36V, Synchronous Step-Down DC/DC Converter	V_{IN} : 4V to 32V, Fast Transient Response, $I_Q = 900\mu A$, $I_{SD} < 15\mu A$, 9mm × 9mm QFN Package

ThinSOT is a trademark of Linear Technology Corporation.