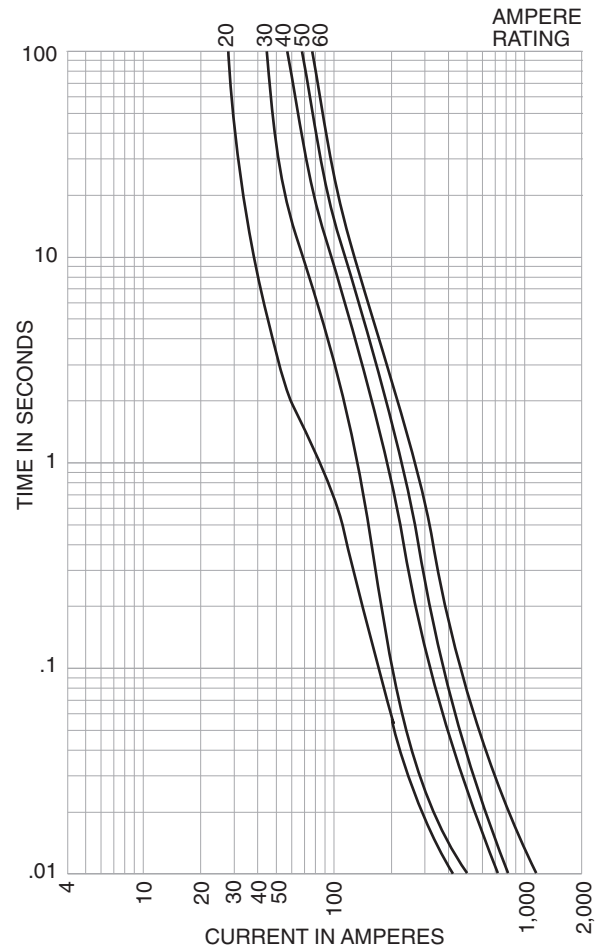
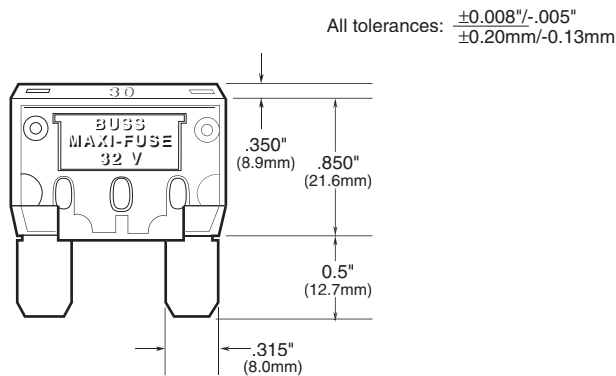


**Time-Current Characteristic Curves—Average Melt**



**Dimensional Data**



**Catalog Symbol:** MAX

**Fast-Acting**

**Ampere Rating:** 20 to 80 Amperes

**Interrupting Rating:** 1,000 Amperes

**Ordering:** Specify packaging and product code

**SPECIFICATIONS**

Product Code	Body Color	Voltage Rating DC
MAX-20	Yellow	32V
MAX-30	Green	32V
MAX-40	Orange	32V
MAX-50	Red	32V
MAX-60	Blue	32V
MAX-70	Tan	32V
MAX-80	Natural	32V

**Recommended Bussmann Fuseholders**

Blade-Type	Part	Description	Fuse Size	Wire Size
MAX	HHX	Fuseholder w/Cover	20-60 Amps	#6 Lead Wire; 5" Length
	HHX-B	Body Only		
	HHX-C	Cover Only	—	—

**PACKAGING CODE**

Packaging Code	Description
Blank	1 pieces of fuses packed in a tin
BK	250 pieces of fuses packed in a carton

**North America**

Cooper Electronic Technologies  
1225 Broken Sound Parkway NW  
Suite F  
Boca Raton, FL 33487-3533  
Tel: 1-561-998-4100  
Fax: 1-561-241-6640  
Toll Free: 1-888-414-2645

Cooper Bussmann  
P.O. Box 14460  
St. Louis, MO 63178-4460  
Tel: 1-636-394-2877  
Fax: 1-800-544-2570

**Europe**

Cooper Electronic Technologies  
Cooper (UK) Limited  
Burton-on-the-Wolds  
Leicestershire • LE12 5TH UK  
Tel: +44 (0) 1509 882 737  
Fax: +44 (0) 1509 882 786

Cooper Electronic Technologies  
Avda. Santa Eulalia, 290  
08223  
Terrassa, (Barcelona), Spain  
Tel: +34 937 362 812  
+34 937 362 813  
Fax: +34 937 362 719

**Asia Pacific**

Cooper Electronic Technologies  
1 Jalan Kilang Timor  
#06-01 Pacific Tech Centre  
Singapore 159303  
Tel: +65 278 6151  
Fax: +65 270 4160