

## DESCRIPTION

PT5631 is a dimming ballast controller, which is available to implement closed loop feedback control of the lamp power. PT5631 has external programmable features, such as preheat time and preheat current. All of these provide a great degree of flexibility for the ballast design engineers. With different connections, PT5631 has the dimming ability with TRIAC, potentiometer or remote controller. And the PT5631 is available in both 16-pin DIP and 16-pin SOP packages.

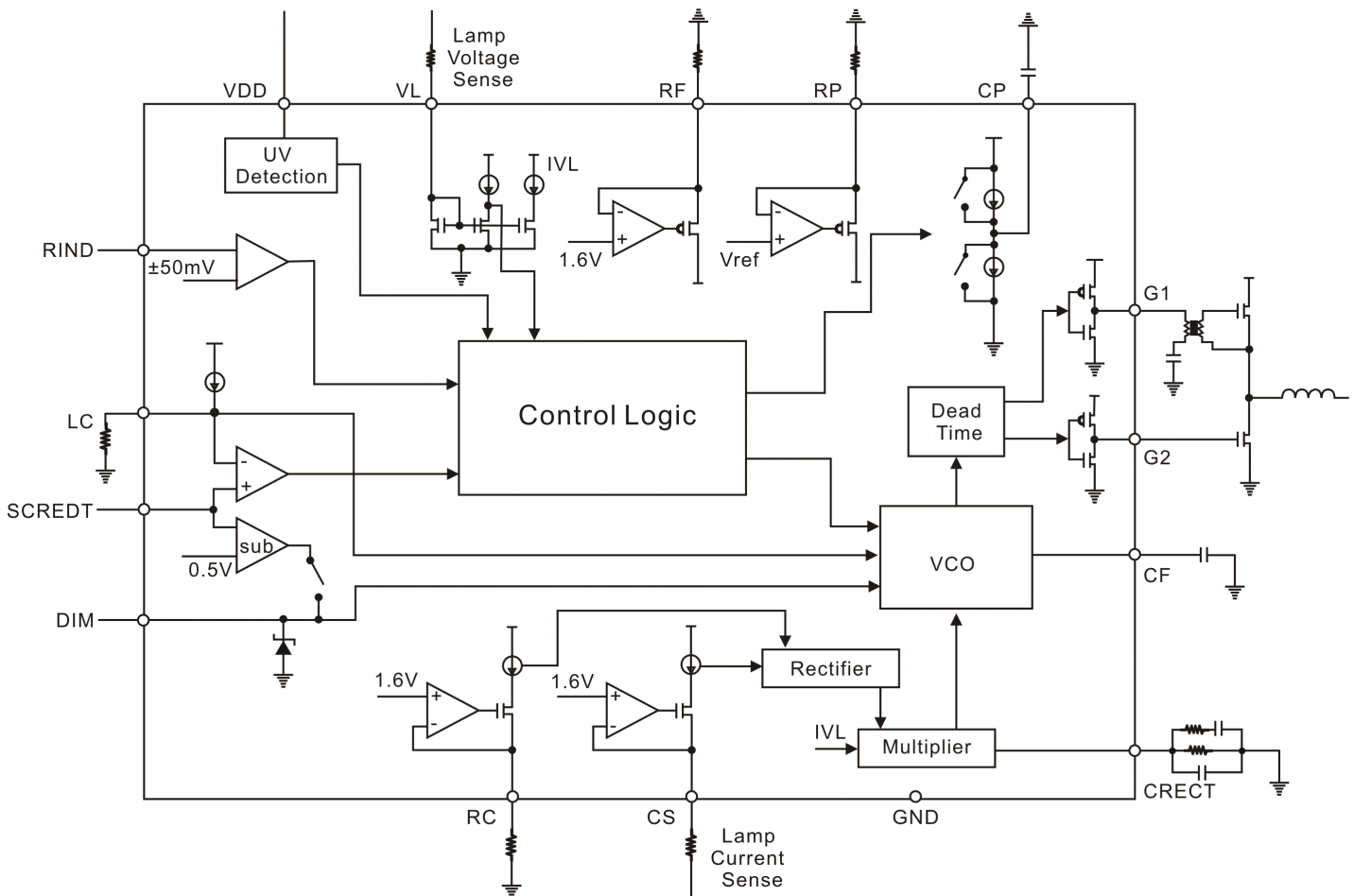
## FEATURES

- Dimming range: 8%~100%
- Provides capacitive mode protection of half-bridge inverter
- Over-voltage protection and thermal protection
- Programmable preheat time and preheat current (Frequency)
- Minimum dimming control
- Closed-loop lamp power control

## APPLICATIONS

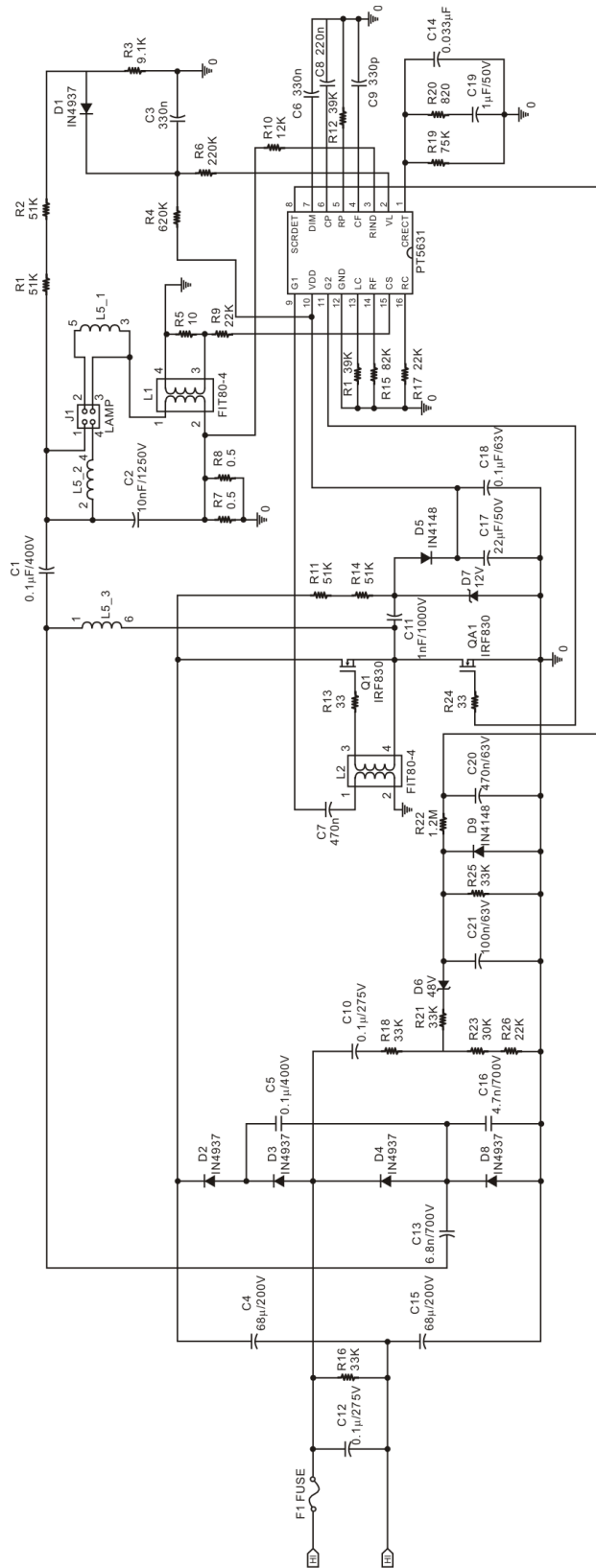
- All types fluorescent lamps
- TRIAC, potentiometer & remote dimmer

## BLOCK DIAGRAM



# TYPICAL APPLICATION CIRCUIT

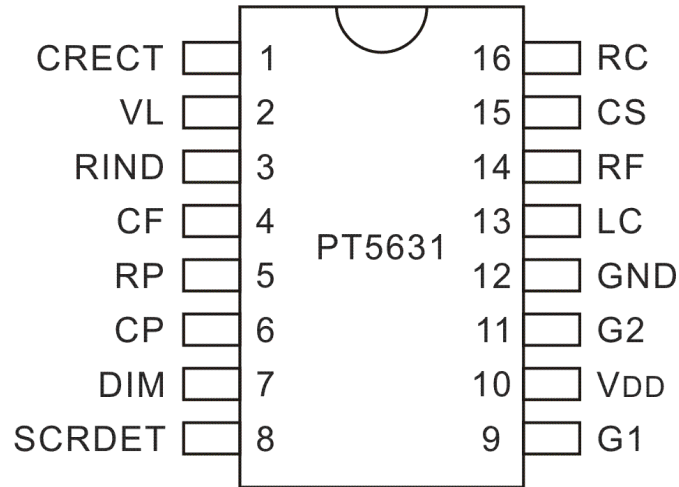
120V/60HZ/32W/T8



## ORDER INFORMATION

Valid Part Number	Package Type	Top Code
PT5631-D	16 Pins, DIP, 300MIL	PT5631-D
PT5631-S	16 Pins, SOP, 150MIL	PT5631-S

## PIN CONFIGURATION



## **IMPORTANT NOTICE**

Princeton Technology Corporation (PTC) reserves the right to make corrections, modifications, enhancements, improvements, and other changes to its products and to discontinue any product without notice at any time.

PTC cannot assume responsibility for use of any circuitry other than circuitry entirely embodied in a PTC product. No circuit patent licenses are implied.

Princeton Technology Corp.  
2F, 233-1, Baociao Road,  
Sindian, Taipei 23145, Taiwan  
Tel: 886-2-66296288  
Fax: 886-2-29174598  
<http://www.princeton.com.tw>