

IE-PS-RJ45-FH-BK-B**Weidmüller Interface GmbH & Co. KG**

Klingenbergstraße 26

D-32758 Detmold

Germany

www.weidmueller.com



RJ45 plug-in connector (tool-less) according to IEC 60603-7-51 for wire outer diameters up to 1.6 mm

General ordering data

Version	RJ45 IDC plug, Cat.6A / Class E _A (ISO/IEC 11801 2010), 8-core, EIA/TIA T568 B
Order No.	1132050000
Type	IE-PS-RJ45-FH-BK-B
GTIN (EAN)	4032248912148
Qty.	10 pc(s).

Creation date October 4, 2021 11:07:31 AM CEST

Catalogue status 27.09.2021 / We reserve the right to make technical changes.

IE-PS-RJ45-FH-BK-B

Weidmüller Interface GmbH & Co. KG

Klingenbergstraße 26

D-32758 Detmold

Germany

www.weidmueller.com

Technical data

Dimensions and weights

Net weight	19.6 g
------------	--------

Temperatures

Operating temperature	-40 °C...70 °C
-----------------------	----------------

General data

Fire load	77 kJ	Halogen	No
Material locking lever	PA UL94-V0	Material strain relief	PA UL94-V0
Connection 1	RJ45	Connection 2	IDC
Wiring	8-core, EIA/TIA T568 B	Speed	10 GBit/s
Insulation cross-section, min.	0.85	Insulation cross-section, max.	1.6
Category	Cat.6 _A / Class E _A (ISO/IEC 11801 2010)	Contact material	Phosphorus bronze
Connection diameter, solid	0.41...0.64	Conductor connection cross-section, solid (AWG)	AWG 26/1...AWG 22/1
Conductor connection cross-section, solid	0.13...0.32 mm ²	Connection diameter, flexible	0.48...0.76 mm
Conductor connection cross-section, flexible (AWG)	AWG 26/7...AWG 22/7	Wire connection cross section, finely stranded, min.	0.141 mm ²
Conductor connection cross-section, flexible	0.14...0.35 mm ²	Conductor connection cross-section, extremely flexible	, Approval of the cable by Weidmüller necessary
Conductor connection cross-section, extremely flexible (AWG)	, Approval of the cable by Weidmüller necessary	Note, very finely stranded line connection	Approval of the cable by Weidmüller necessary
MICE classification M	M ₁	MICE classification I	I ₁
MICE classification C	C ₁	MICE classification E	E ₃
Sheath diameter, min.	5.5 mm	Sheath diameter, max.	8.5 mm
Shielding	360°; all-round enclosure	Protection degree	IP20
Insertion force	≤ 30 N	Material insulator	PA UL94-V0
Ability to reconnect	≥ 10 cycles (for the same or larger cross-section)		

Electrical properties

Contact resistance	≤ 20 mΩ	Current-carrying capacity at 50 °C	1 A
Dielectric strength, contact / contact	≥ 1000 V DC	Dielectric strength, contact / shield	≥ 1500 V DC
PoE / PoE+	conforming to IEEE 802.3at		

General standards

Application-specific communication cable facilities	PROFINET installation instructions	Certificate no. (cULus)	E316369
Connector standard	IEC 60603-7-51	IP protection classes	IEC 60529
UL standard for communication accessories	UL 1863		

Classifications

ETIM 6.0	EC001121	ETIM 7.0	EC001121
ETIM 8.0	EC001121	ECLASS 9.0	27-44-03-90
ECLASS 9.1	27-44-03-90	ECLASS 10.0	27-44-03-90
ECLASS 11.0	27-44-03-90		

Creation date October 4, 2021 11:07:31 AM CEST

Catalogue status 27.09.2021 / We reserve the right to make technical changes.

2

IE-PS-RJ45-FH-BK-B

Weidmüller Interface GmbH & Co. KG
Klingenbergstraße 26
D-32758 Detmold
Germany

www.weidmueller.com

Technical data

Approvals

Approvals



ROHS	Conform
UL File Number Search	E316369

Downloads

Approval/Certificate/Document of Conformity	DUXR.E316369 CC-Link IE-PS-RJ45-FH-BK
Engineering Data	EPLAN, WSCAD, Zuken E3.S
User Documentation	MAN IE GUIDE DE MAN IE GUIDE EN Manual
Catalogues	Catalogues in PDF-format
Brochures	MB FREECONCONTACT EN FL FIELDWIRING EN PI PROFINET CABLING EN PI PROFINET CABLING EN

IE-PS-RJ45-FH-BK-B

Weidmüller Interface GmbH & Co. KG
Klingenbergstraße 26
D-32758 Detmold
Germany

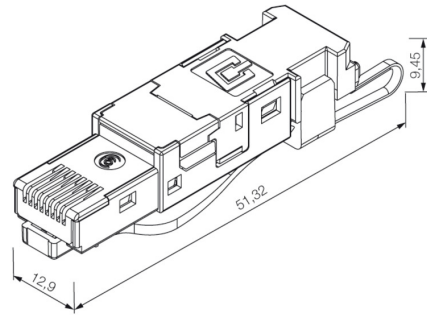
www.weidmueller.com

Drawings

Printing



Dimensioned drawing



IE-PS-RJ45-FH-BK-B

Weidmüller Interface GmbH & Co. KG

Klingenbergstraße 26

D-32758 Detmold

Germany

www.weidmueller.com

Accessories

Dust caps



For protecting your devices against dust and dirt.

Dust caps

General ordering data

Type	IE-PP-RJ45
Order No.	2552580000
GTIN (EAN)	4050118562583
Qty.	10 pc(s).

Coloured strain relief



For identifying your IP20 RJ45 plugs, which can be assembled on-site, in 6 different colours

General ordering data

Type	IE-CR-IP20-RJ45-FH-GY	Version
Order No.	1963060000	Industrial Ethernet, Colour coding ring, grey, Strain relief, grey
GTIN (EAN)	4032248645244	
Qty.	10 pc(s).	
Type	IE-CR-IP20-RJ45-FH-WH	Version
Order No.	1963050000	Industrial Ethernet, Colour coding ring, white, Strain relief, white
GTIN (EAN)	4032248645237	
Qty.	10 pc(s).	
Type	IE-CR-IP20-RJ45-FH-YE	Version
Order No.	1963090000	Industrial Ethernet, Colour coding ring, yellow, Strain relief, yellow
GTIN (EAN)	4032248645275	
Qty.	10 pc(s).	
Type	IE-CR-IP20-RJ45-FH-GN	Version
Order No.	1963100000	Industrial Ethernet, Colour coding ring, green, Strain relief, green
GTIN (EAN)	4032248645282	
Qty.	10 pc(s).	
Type	IE-CR-IP20-RJ45-FH-BU	Version
Order No.	1963080000	Industrial Ethernet, Colour coding ring, blue, Strain relief, blue
GTIN (EAN)	4032248645268	
Qty.	10 pc(s).	

Creation date October 4, 2021 11:07:31 AM CEST

Catalogue status 27.09.2021 / We reserve the right to make technical changes.

5

IE-PS-RJ45-FH-BK-B**Weidmüller Interface GmbH & Co. KG**

Klingenbergstraße 26

D-32758 Detmold

Germany

www.weidmueller.com**Accessories**

Type	IE-CR-IP20-RJ45-FH-OG	Version
Order No.	1963070000	Industrial Ethernet, Colour coding ring, orange, Strain relief, orange
GTIN (EAN)	4032248645251	
Qty.	10 pc(s).	

Pressing tool

When working with live voltages, you must follow special guidelines and use special tools - tools which have been specially produced and tested for this purpose.

Weidmüller offers a complete line of pliers which comply with national and international testing standards.

All pliers are produced and tested according to DIN EN 60900.

The pliers are ergonomically designed to fit to the hand form, and thus feature an improved hand position. The fingers are not pressed together - this results in less fatigue during operation.

General ordering data

Type	PWZ RJ45	Version
Order No.	1118040000	Pressing tools
GTIN (EAN)	4032248899197	
Qty.	1 pc(s).	