

**PLEASE CHECK WWW.MOLEX.COM FOR LATEST PART INFORMATION**

**Part Number:** [0512271300](#)  
**Status:** **Active**  
**Description:** 2.00mm (.079") Pitch Wire-to-Wire Plug Housing, Positive Lock, 13 circuits

**Documents:**

[3D Model](#) [Product Specification PS-51216-006 \(PDF\)](#)  
[Drawing \(PDF\)](#) [RoHS Certificate of Compliance \(PDF\)](#)

**General**

Product Family Crimp Housings  
 Series [51227](#)  
 Product Name N/A

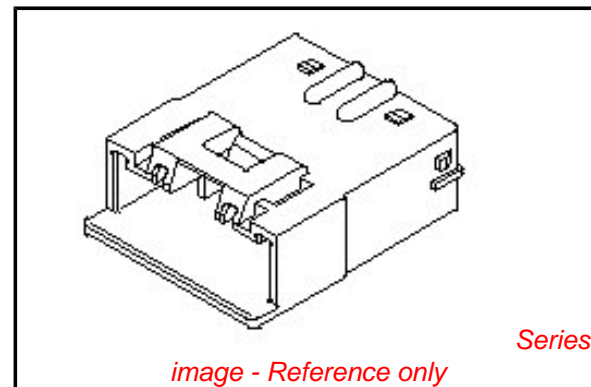
**Physical**

Circuits (maximum) 13  
 Color - Resin Natural  
 Gender Male  
 Glow-Wire Compliant No  
 Material - Resin Polyester  
 Number of Rows 1  
 Packaging Type Bag  
 Panel Mount No  
 Pitch - Mating Interface (in) 0.079 In  
 Pitch - Mating Interface (mm) 2.00 mm  
 Stackable No  
 Temperature Range - Operating -25°C to +85°C

**Material Info**

**Reference - Drawing Numbers**

Product Specification PS-51216-006, RPS-51216-006, RPS-51216-012  
 Sales Drawing SD-51227-002



*image - Reference only*

**EU RoHS**

**ELV and RoHS  
 Compliant**  
**REACH SVHC  
 Contains SVHC: No**  
**Halogen-Free  
 Status  
 Not Reviewed**

**China RoHS**



**Need more information on product  
 environmental compliance?**

Email [productcompliance@molex.com](mailto:productcompliance@molex.com)  
 For a multiple part number RoHS Certificate of  
 Compliance, [click here](#)

Please visit the [Contact Us](#) section for any  
 non-product compliance questions.

**Search Parts in this Series**

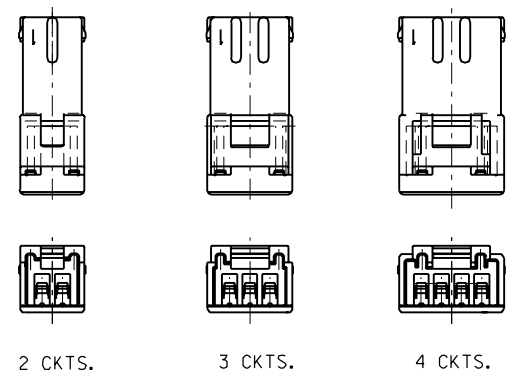
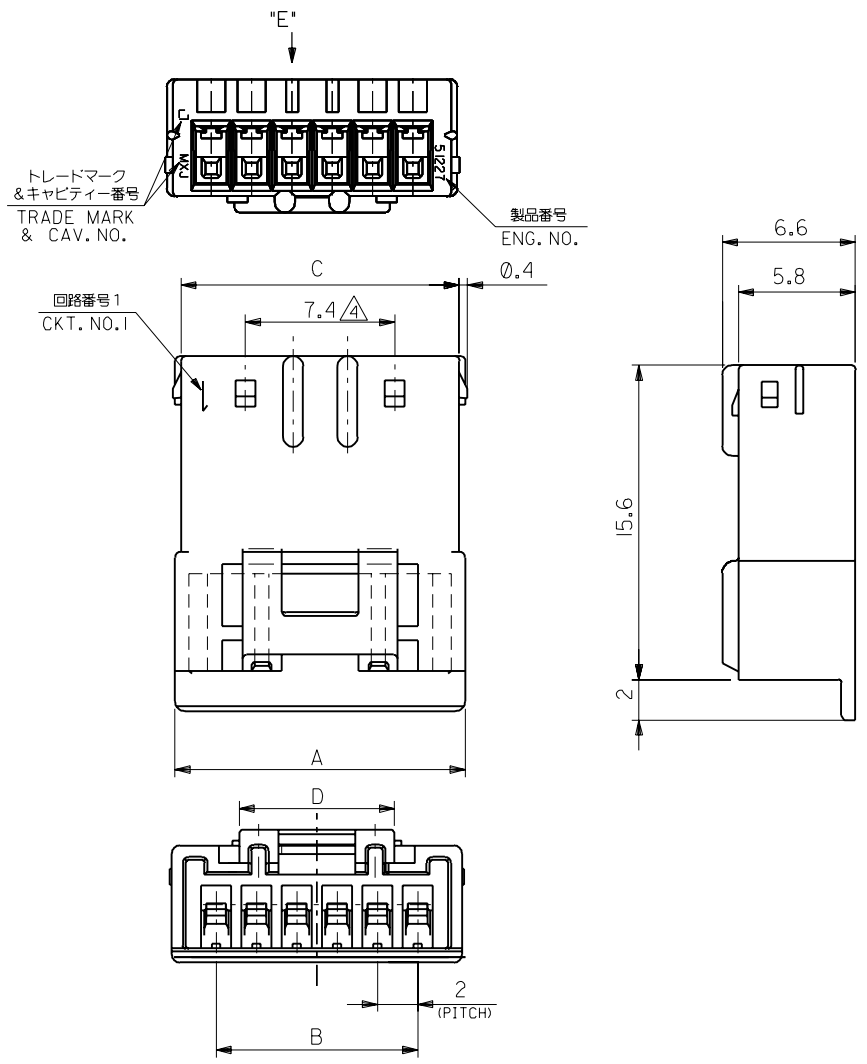
[51227Series](#)

**Mates With**

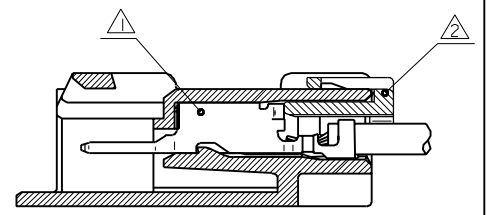
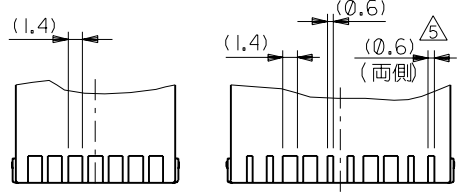
[51216 Housing](#)

**Use With**

[51217](#) , [56086](#)



2, 3, 4種レイアウト図  
LAYOUT OF 2, 3 & 4 CKTS.



ターミナル及びリテーナー装着状態図  
TERMINAL & RETAINER ASSEMBLY DRAWING

	7.7	31.8	28	32.4	51227-1500	15
↑	29.8	26	30.4		-1400	14
	27.8	24	28.4		-1300	13
	25.8	22	26.4		-1200	12
	23.8	20	24.4		-1100	11
	21.8	18	22.4		-1000	10
	19.8	16	20.4		-0900	9
	17.8	14	18.4		-0800	8
	15.8	12	16.4		-0700	7
	13.8	10	14.4		-0600	6
↓	11.8	8	12.4		-0500	5
	9.8	6	10.4		-0400	4
	7.7	7.8	4	8.4	-0300	3
	6.4	5.8	2	6.4	51227-0200	2
	D	C	B	A	MATERIAL NO.	CKT.

- 注記  
NOTES
- ① 適合ターミナル : 56086シリーズ
  - ② 適合リテーナー : 51217シリーズ  
APPLICABLE RETAINER : 51217 SERIES
  - 3. 嵌合相手 : 51216シリーズ  
MATE WITH : 51216 SERIES
  - ④ 5~15極に適用。  
APPLY 5-15 CIRCUITS.
  - ⑤ 10, 12, 14極に適用。  
APPLY 10,12,14 CIRCUITS.

DO NOT SCALE DRAWING

EC NO. DRWN: CHK'g APPR:	EC NO. DRWN: CHK'g APPR:	EC NO. DRWN: CHK'g APPR:	EC NO. DRWN: CHK'g APPR:	RELEASED '01/06/21	MATERIAL 材料 PBTP, UL94V-0 [色:自然色] [COLOR: NATURAL]	GENERAL TOLERANCES: (UNLESS SPECIFIED) 一般公差	SCALE	DESIGN UNITS	MODEL NO.	DIMENSIONS:		SHT	REV
				EC NO. JC2001-1002			10 UNDER 未満	mm	THIRD ANGLE PROJECTION	mm	mm ONLY		
0	H.II	T.YAMAGUCHI	T.YAMAGUCHI	FINISH 仕上げ //	WIRE RANGE 適用電線範囲 //	ANGLE 角度 ±3°	DRAWN BY & DATE H.II '01/06/21	TITLE:	MOLEX		MATERIAL NO.	DRAWING NO.	SHEET NO.
				30 OVER 以上			CHECKED BY & DATE T.YAMAGUCHI '01/06/21	MOLEX INCORPORATED		51227-02.S01	SD-51227-002	1 OF 1	
THIS DRAWING CONTAINS INFORMATION THAT IS PROPRIETARY TO MOLEX INCORPORATED AND SHOULD NOT BE USED WITHOUT WRITTEN PERMISSION.										SIZE B			