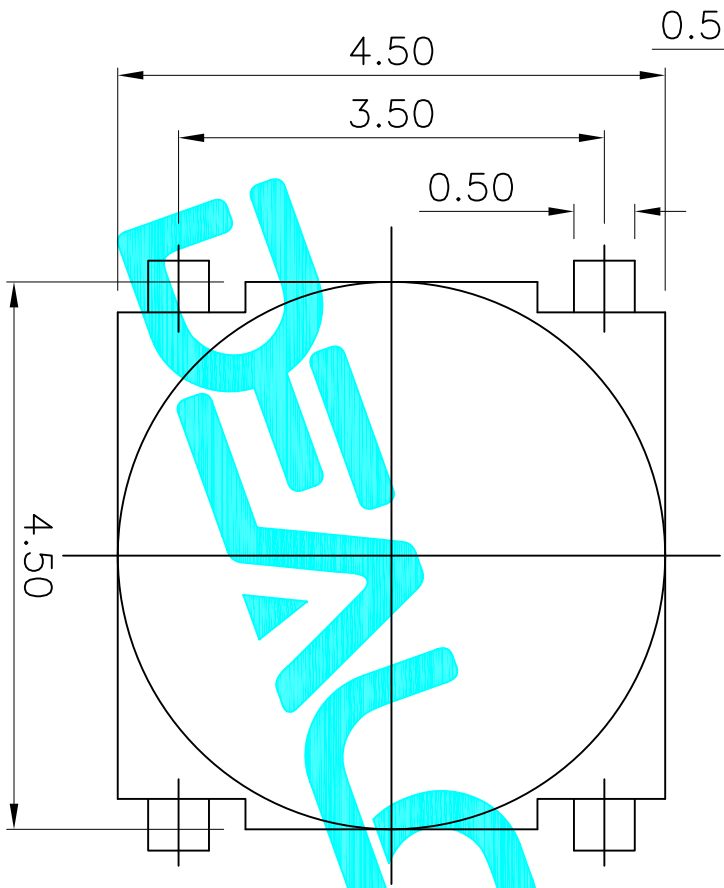
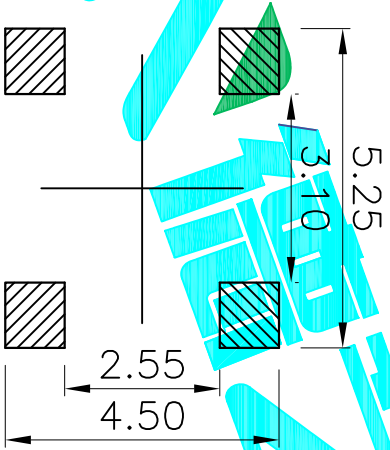


Circuit Diagram



PCB Layout (Pattern Side)



NO.1	
PART NO	vigor
070	70±30
100	100±50
160	160±50
250	250±50
320	320±80
350	350±80
520	520±130

ITEM	PART NAME	QTY.	MATERIAL	FINISHING
④	Dust cover	1	KAPTON FILM	Yellow
③	Terminal	4	Phosphor Bronze	Plating silver
②	Contact	1	FAg/SUS	Plating silver
①	Base	1	Nylon	Black

APPROVALS		DATE	EDEMION 德之隆® ELECTRONICS CO.,LTD	
DRAWN	G.M.Chen	2015/5/19	TACT SWITCHES	
CHECKED			PART NO. TD-1198SP-XXX	
APPROVALS			TITLE: TACT SWITCHES	
CHANGE.	CHECK.	APPRO.	SCALE: 1:1	
ECN NO.	REV.	DATE.	SHEET 1 OF 1	
	A		PROJ.	
DESCRIPTION.			NEW	

TOLERANCES ARE	
30 ^{±0.15}	±0.30
10 ^{±0.10}	±0.20
5 ^{±0.10}	±0.15
~ 5	±0.10