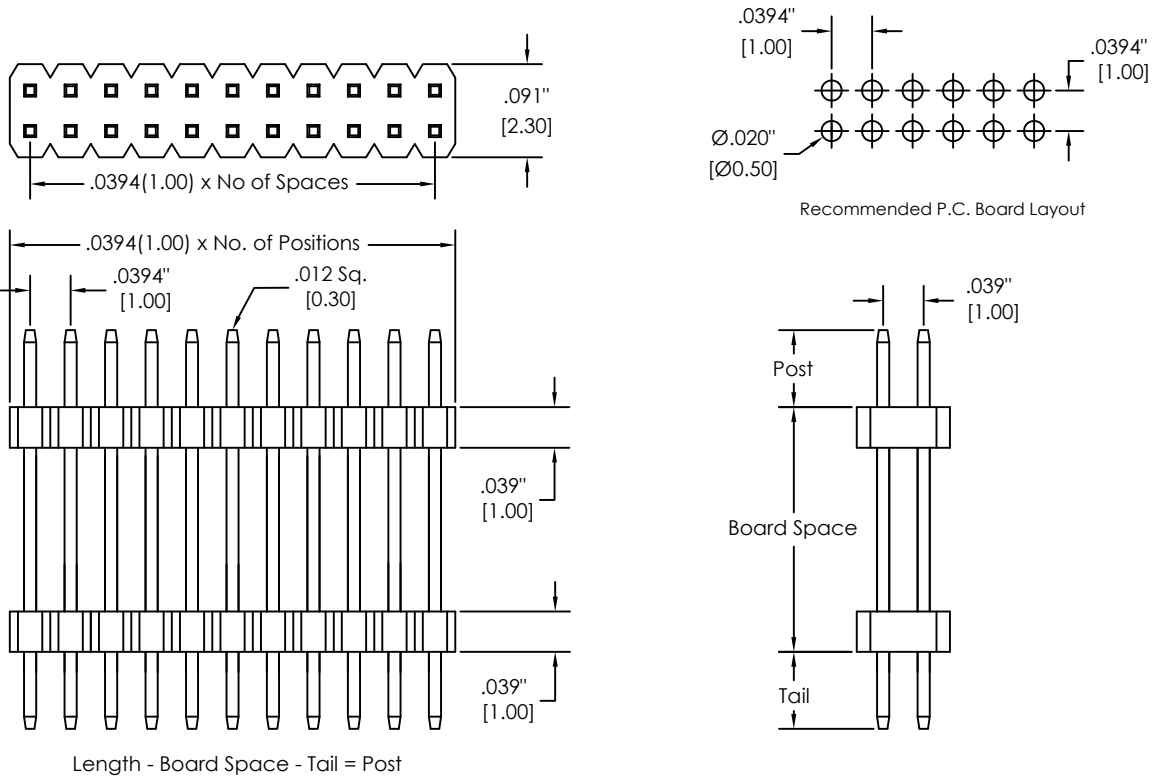
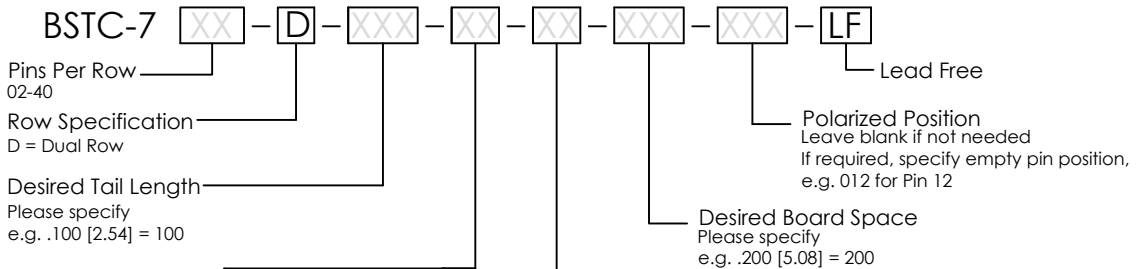


Major League Electronics .0394 cl Board Stacker Terminal Strips - Straight



Ordering Information



Specification

Electrical:

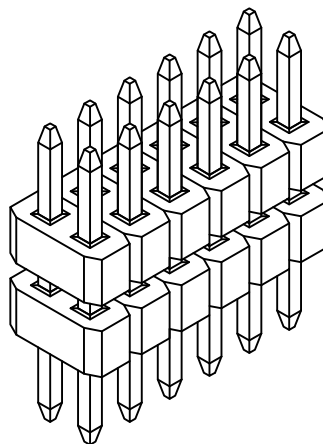
- Rated Current: 1.0AMP
- Contact Resistance: 20mΩ max
- Withstand Voltage: 300V AC
- Insulation Resistance: 1000MΩ min
- Operation Temperature: -40°C to +105°C
- Max. Process Temperature
 - Wave Solder: Solder Temp 260 ±5°C
 - Immersion period: 5 ±5 secs.
 - Reflow Solder: Pre-Heat Temp: 100~150°C for 60 secs max.
 - Temperature: min. 210°C for 30 secs max.
 - Peak Temperature: 260 ±5°C, 10 ±5 secs.
 - Manual Solder: 245 ±3°C 3~5 secs.

Material:

- Contact Material: Phosphor Bronze
- Insulator Material: LCP, UL94V-0

Pin Option		
Length		
Inches	MM	
0.255	6.48	04
0.275	6.99	06
0.325	8.26	08
0.375	9.53	10
0.425	10.80	12
0.475	12.07	14

Plating Options	
F	- Gold Flash over entire Pin
T	- Matte Tin over entire pin



Mates with:
LSMSS-7

Products cut to specific sizes are uncancellable/nonreturnable

Parts are subject to change without notice

BSTC-7-D SERIES

.0394 cl Dual Row - Straight
Board Stacker Terminal Strips

18 NOV 10

Scale
NTS

UNLESS OTHERWISE SPECIFIED
DIMENSIONS IN INCHES [MM]
TOLERANCES ARE:

ONE PLACE DECIMALS ±.008
TWO PLACE DECIMALS ±.005
THREE PLACE DECIMALS ±.003
ANGLES: X.±3.0° .X±2.0°
.XX±1.0° .XXX±0.5°



4235 Earnings Way, New Albany, Indiana, 47150, USA
1-800-782-3486 (USA/Canada/Mexico)
Tel: 812-944-7244
Fax: 812-944-7268
E-mail: mle@mlelectronics.com
Web: www.mlelectronics.com

Revision
B


Sheet
1/2

Revision

Revision B - (8th Dec 2012)
 Plating options amended.

Removed:
 FT: Gold Flash on Contact Area / Matte Tin on Tail

Products cut to specific sizes are uncancellable/nonreturnable Parts are subject to change without notice

UNLESS OTHERWISE SPECIFIED DIMENSIONS IN INCHES [MM] TOLERANCES ARE: ONE PLACE DECIMALS ±.008 TWO PLACE DECIMALS ±.005 THREE PLACE DECIMALS ±.003 ANGLES: X,±3.0° .X±2.0° .XX±1.0° .XXX±0.5°	BSTC-7-D SERIES	.0394 cl Dual Row - Straight Board Stacker Terminal Strips	18 NOV 10	Scale NTS
	4235 Earnings Way, New Albany, Indiana, 47150, USA 1-800-782-3486 (USA/Canada/Mexico) Tel: 812-944-7244 Fax: 812-944-7268 E-mail: mle@mlelectronics.com Web: www.mlelectronics.com			Revision B
				Sheet 2/2

