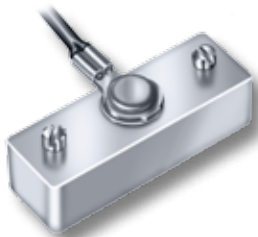


# Metal Protective Covers with Silicone Rubber Gaskets

500-017 and 500-037



Choose **Metal Protective Covers** for full environmental protection.

**Silicone Rubber Gasket** provides a watertight seal.

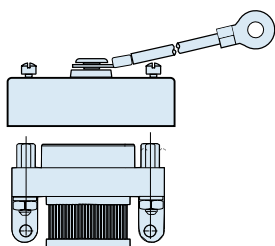
Use with **M83513 Type Metal Shell Micro-D Connectors**

## MATERIALS & FINISHES

|          |  |
|----------|--|
| Shell    | Aluminum Alloy 6061 -T6                |
| Gasket   | Silicone Rubber                        |
| Hardware | 300 Series Stainless Steel, Passivated |

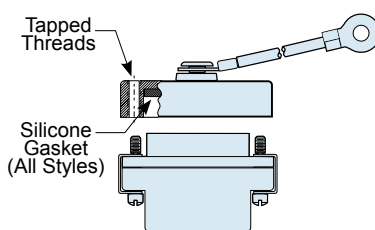
## SELECT A PROTECTIVE COVER STYLE

Style 1



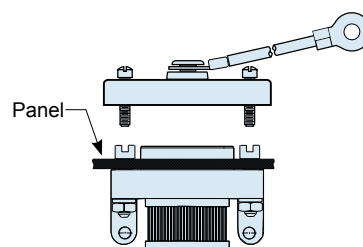
Use With Micro-D Connectors With Jackposts  
Not for rear panel mounted connectors.

Style 2



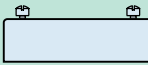

Use With Micro-D Connectors With Jackscrews

Style 3



Use With Rear-Panel Mounted Micro-D Connectors

## HOW TO ORDER STYLE 1 AND STYLE 2 PROTECTIVE COVERS

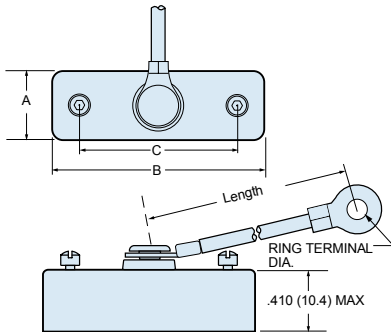
| Series                    | Shell Finish                 | Connector Size | Hardware Option  | Lanyard Option  | Lanyard Length  | Ring Terminal Ordering Code  |      |
|---------------------------|------------------------------|----------------|--|---|---|------------------------------|------|
| 500-017                   | C – Black Anodize            | 09             | <p><b>STYLE 1</b></p>  <p>Fits Micro-D's With Jackposts<br/>Cover has Jackscrews</p> <p>MB – Fillister Head Jackscrew<br/>MH – Hex Head Jackscrew</p> <p><b>STYLE 2</b></p>  <p>Fits Micro-D's With Jackscrews<br/>Cover has Tapped Female Threads</p> <p>F – Female Threads</p> <p>(STYLE 3: see next page)</p> | <p>N – No Lanyard</p> <p>G – Flexible Nylon Rope</p> <p>F – Wire Rope, Nylon Jacket</p> <p>H – Wire Rope, Hi-Temp Teflon Jacket</p> | <p>Length in<br/>One Inch<br/>Increments</p> <p>Example: "6" equals six inches.</p> | 06 – .125 (3.2)              |      |
|                           |                              | 15             |  |   |   | 01 – .140 (3.6)              |      |
|                           | E – Chem Film                | 21             |  |   |   | 05 – .167 (4.2)              |      |
|                           |                              | 25             |  |   |   | 04 – .197 (5.0)              |      |
|                           | J – Cadmium, Yellow Chromate | 31             |  |   |   | <p>I.D. of Ring Terminal</p> |      |
|                           |                              | 37             |  |   |   |                              |      |
|                           | M – Electroless Nickel       | 51             |  |   |   |                              |      |
|                           |                              | 51-2           |  |   |   |                              |      |
|                           | NF – Cadmium, Olive Drab     | 67             |  |   |   |                              |      |
|                           |                              | 69             |  |   |   |                              |      |
| Z2 – Gold                 | 100                          |                |  |   |   |                              |      |
| <b>Sample Part Number</b> |                              |                |  |   |   |                              |      |
| 500-017                   | M                            | 25             | MB   | F   | 4   |                              | - 06 |

**HOW TO ORDER STYLE 3 PROTECTIVE COVERS FOR REAR MOUNT CONNECTORS**

| Series                    | Shell Finish                 | Connector Size | Panel Thickness Option | Hardware Option   | Lanyard Option            | Ring Terminal Ordering Code |                                      |                 |
|---------------------------|------------------------------|----------------|------------------------|---|---------------------------|-----------------------------|--------------------------------------|-----------------|
| 500-037                   | C – Black Anodize            | 09             | R1 – .031 (0.79) Panel | <b>STYLE 3</b><br><br>Fits Micro-D's With Jackposts<br>B – Fillister Head Jackscrew<br>H – Hex Head Jackscrew | N – No Lanyard            | 06 – .125 (3.2)             |                                      |                 |
|                           |                              | 15             | R2 – .047 (1.19) Panel |   | G – Flexible Nylon Rope   | 01 – .140 (3.6)             |                                      |                 |
|                           | E – Chem Film                | 21             | R3 – .062 (1.57) Panel |   | <br>I.D. of Ring Terminal | F – Wire Rope, Nylon Jacket | 05 – .167 (4.2)                      |                 |
|                           |                              | 25             | R4 – .093 (2.36) Panel |   |                           |                             | H – Wire Rope, Hi-Temp Teflon Jacket | 04 – .197 (5.0) |
|                           |                              | 31             |                        |   |                           |                             |                                      |                 |
|                           | J – Cadmium, Yellow Chromate | 37             |                        |   |                           |                             |                                      |                 |
|                           |                              | 51             |                        |   |                           |                             |                                      |                 |
|                           | M – Electroless Nickel       | 51-2           |                        |   |                           |                             |                                      |                 |
| NF – Cadmium, Olive Drab  | 67                           |                |                        |   |                           |                             |                                      |                 |
| Z2 – Gold                 | 69                           |                |                        |   |                           |                             |                                      |                 |
|                           | 100                          |                |                        |   |                           |                             |                                      |                 |
| <b>Sample Part Number</b> |                              |                |                        |   |                           |                             |                                      |                 |
| 500-037                   | J                            | 31             | R4                     | B   | G                         | – 06                        |                                      |                 |

**PROTECTIVE COVER DIMENSIONS**

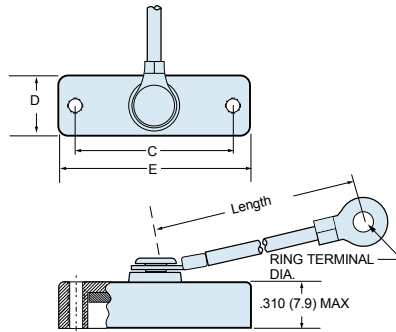
Style 1



#2-56 UNC THREADS SIZES 9-69  
#4-40 UNC THREADS SIZE 100

For Micro-D Connectors With Jackposts

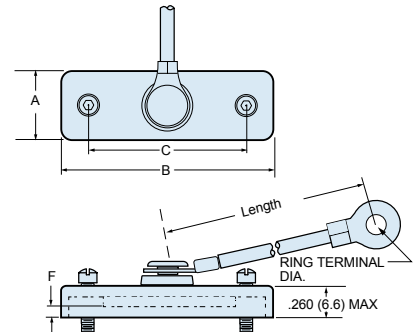
Style 2



#2-56 UNC THREADS SIZES 9-69  
#4-40 UNC THREADS SIZE 100

For Micro-D Connectors With Jackscrews

Style 3



#2-56 UNC THREADS SIZES 9-69  
#4-40 UNC THREADS SIZE 100

For Rear-Panel Mounted Micro-D

| Size | A Max. |      | B Max. |      | C     |       | D Max. |      | E Max. |      | Panel Thickness | F    |     |
|------|--------|------|--------|------|-------|-------|--------|------|--------|------|-----------------|------|-----|
|      | In.    | mm.  | In.    | mm.  | In.   | mm.   | In.    | mm.  | In.    | mm.  |                 | In.  | mm. |
| 9    | .453   | 11.5 | .930   | 23.6 | .565  | 14.35 | .360   | 9.1  | .775   | 19.7 | R1              | .126 | 3.2 |
| 15   | .453   | 11.5 | 1.080  | 27.4 | .715  | 18.16 | .360   | 9.1  | .925   | 23.5 | R2              | .110 | 2.8 |
| 21   | .453   | 11.5 | 1.230  | 31.2 | .865  | 21.97 | .360   | 9.1  | 1.075  | 27.3 | R3              | .095 | 2.4 |
| 25   | .453   | 11.5 | 1.330  | 33.8 | .965  | 24.51 | .360   | 9.1  | 1.175  | 29.8 | R4              | .064 | 1.6 |
| 31   | .453   | 11.5 | 1.480  | 37.6 | 1.115 | 28.32 | .360   | 9.1  | 1.325  | 33.7 |                 |      |     |
| 37   | .453   | 11.5 | 1.630  | 41.4 | 1.265 | 32.13 | .360   | 9.1  | 1.475  | 37.5 |                 |      |     |
| 51   | .496   | 12.6 | 1.580  | 40.1 | 1.215 | 30.86 | .400   | 10.2 | 1.425  | 36.2 |                 |      |     |
| 51-2 | .453   | 11.5 | 1.980  | 50.3 | 1.615 | 41.02 | .360   | 9.1  | 1.825  | 46.4 |                 |      |     |
| 67   | .453   | 11.5 | 2.380  | 60.5 | 2.015 | 51.18 | .360   | 9.1  | 2.225  | 56.5 |                 |      |     |
| 69   | .496   | 12.6 | 1.880  | 47.8 | 1.515 | 38.48 | .400   | 10.2 | 1.725  | 43.8 |                 |      |     |
| 100  | .539   | 13.7 | 2.315  | 58.8 | 1.800 | 45.72 | .450   | 11.4 | 2.160  | 54.9 |                 |      |     |