

# 1" Single Digit Alpha Numeric Display

## FEATURES

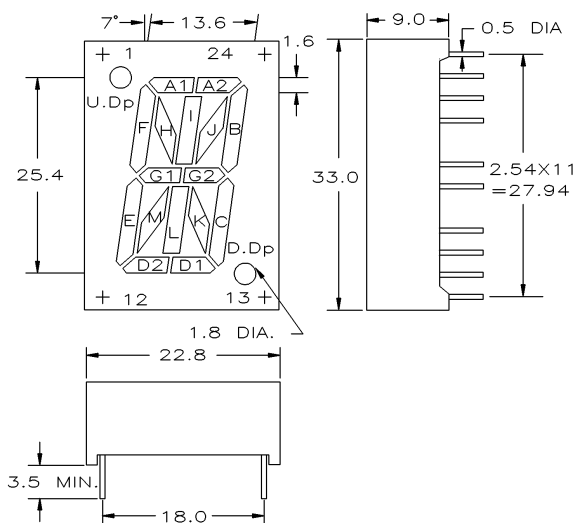
- 1" digit height
- Right hand decimal point and upper left hand decimal point
- Additional colors/materials available

## OPTO-ELECTRICAL CHARACTERISTICS (Ta = 25°C)

PART NO.	PEAK WAVE LENGTH (nm)	EMITTED COLOR	FACE COLORS		MAXIMUM RATINGS			OPTO-ELECTRICAL CHARACTERISTICS							PIN-OUT	
			SURFACE COLOR	EPOXY COLOR	IF (mA)	VR (V)	PD (mW)	VF(V)			IR(μA)		IV(mcd)			
								SEG. typ.	DP typ.	@mA	max.	@VR	min. per seg.	typ. per seg.		@mA
MTAN2125-AG	567	Green	Grey	White	30	5	85	4.2	2.1	20	100	5	6.2	10.4	20	1
MTAN4125-AO	635	Orange	Grey	White	30	5	85	4.2	2.1	20	100	5	7.0	11.7	20	1
MTAN4125-AHR	635	Hi-Eff Red	Red	Red	30	5	85	4.2	2.1	20	100	5	7.0	11.7	20	1
MTAN7125-21A	660	Ultra Red	Grey	White	30	4	70	3.4	1.7	20	100	4	27.4	45.6	20	1
MTAN2125-CG	567	Green	Grey	White	30	5	85	4.2	2.1	20	100	5	6.2	10.4	20	2
MTAN4125-CO	635	Orange	Grey	White	30	5	85	4.2	2.1	20	100	5	7.0	11.7	20	2
MTAN4125-CHR	635	Hi-Eff Red	Red	Red	30	5	85	4.2	2.1	20	100	5	7.0	11.7	20	2
MTAN7125-21C	660	Ultra Red	Grey	White	30	4	70	3.4	1.7	20	100	4	27.4	45.6	20	2

Operating Temperature: -25~+85, Storage Temperature: -25~+100. Other face/epoxy colors are available.

## PACKAGE DIMENSIONS AND PIN FUNCTIONS



### PINOUT 1

COMMON ANODE

PIN NO.	FUNCTION
1.	CATHODE U,DP
2.	CATHODE A1
3.	CATHODE H
4.	CATHODE F
5.	NO PIN
6.	COMMON ANODE
7.	CATHODE G1
8.	NO PIN
9.	CATHODE E
10.	CATHODE D2
11.	CATHODE M
12.	ANODE L
13.	CATHODE D,DP
14.	CATHODE D1
15.	CATHODE K
16.	CATHODE C
17.	NO PIN
18.	COMMON ANODE
19.	CATHODE G2
20.	NO PIN
21.	CATHODE B
22.	CATHODE A2
23.	CATHODE J
24.	CATHODE I

### PINOUT 2

COMMON CATHODE

PIN NO.	FUNCTION
1.	ANODE U,DP
2.	ANODE A1
3.	ANODE H
4.	ANODE F
5.	NO PIN
6.	COMMON CATHODE
7.	ANODE G1
8.	NO PIN
9.	ANODE E
10.	ANODE D2
11.	ANODE M
12.	ANODE L
13.	ANODE D,DP
14.	ANODE D1
15.	ANODE K
16.	ANODE C
17.	NO PIN
18.	COMMON CATHODE
19.	ANODE G2
20.	NO PIN
21.	ANODE B
22.	ANODE A2
23.	ANODE J
24.	ANODE I

1. ALL DIMENSIONS ARE IN mm, TOLERANCE IS  $\pm 0.25$ mm UNLESS OTHERWISE SPECIFIED.
2. THE SLOPE ANGLE OF ANY PIN MAY BE  $\pm 5.0^\circ$  MAX.



120 Broadway • Menands, New York 12204  
Toll Free: (800) 98-4LEDS • Fax: (518) 432-7454

For up-to-date product info visit our web site at [www.marktechopto.com](http://www.marktechopto.com)

All specifications subject to change.