

Bus system connector - SACC-MR-5SC SH DN SCO - 1432774

Please be informed that the data shown in this PDF Document is generated from our Online Catalog. Please find the complete data in the user's documentation. Our General Terms of Use for Downloads are valid (<http://download.phoenixcontact.com>)

Bus system connector, CANopen[®], DeviceNet[™], 5-position, Plug angled M12, A-coded, Spring-cage conn., Knurl material: Nickel-plated brass, External cable diameter 4 mm ... 8 mm



Product Features

- Safe use in the field, thanks to a high degree of protection
- Flexible: connectors for on-site assembly
- Save time, thanks to installation with SPEEDCON rapid interlock system
- Spring-cage connection: connect more securely, even in the case of shock and vibration, thanks to high contact forces
- Reliable signal transmission - 360° shielding in environments with electromagnetic interference



Key commercial data

Packing unit	1 PCE
Weight per Piece (excluding packing)	40.0 GRM
Custom tariff number	85366990
Country of origin	Germany

Technical data

Dimensions

External diameter	4 mm ... 8 mm
Stripping length of the sheath	35 mm
Stripping length of the individual wire	11 mm

Ambient conditions

Ambient temperature (operation)	-40 °C ... 85 °C (Plug / socket)
Degree of protection	IP65
	IP67

General

Bus system connector - SACC-MR-5SC SH DN SCO - 1432774

Technical data

General

Rated current at 40°C	4 A
Rated voltage	60 V
Number of positions	5
Contact resistance	≤ 8 mΩ
Insulation resistance	≥ 100 MΩ
Coding	A - standard
Standards/regulations	M12 connector IEC 61076-2-101
Signal type/category	CANopen®
	DeviceNet™
Status display	No
Surge voltage category	II
Pollution degree	3
Connection method	Spring-cage conn.
Conductor cross section	0.14 mm² ... 0.5 mm²
AWG conductor cross section	26 ... 20
Insertion/withdrawal cycles	≥ 100
Torque	0.4 Nm (M12 knurl)
	0.8 Nm (Connector with coupling sleeve)
	3 Nm (Pressure nut with coupling sleeve)
Assembly instructions	AWG 18 wire cross section upon request
	The connector pin assignment can be rotated 45° to the cable outlet

Material

Inflammability class according to UL 94	V0
Contact material	CuSn
Contact surface material	Ni/Au
Contact carrier material	TPU
Material of grip body	Zinc die-cast, nickel-plated
Material, knurls	Nickel-plated brass
Sealing material	NBR

Classifications

eCl@ss

eCl@ss 4.0	27250313
eCl@ss 4.1	27250313
eCl@ss 5.0	27143423

Bus system connector - SACC-MR-5SC SH DN SCO - 1432774

Classifications

eCl@ss

eCl@ss 5.1	27143423
eCl@ss 6.0	27143423
eCl@ss 7.0	27449001
eCl@ss 8.0	27449001

ETIM

ETIM 3.0	EC001855
ETIM 4.0	EC002062
ETIM 5.0	EC002062

UNSPSC

UNSPSC 6.01	31251501
UNSPSC 7.0901	31251501
UNSPSC 11	31251501
UNSPSC 12.01	31251501
UNSPSC 13.2	31251501

Approvals

Approvals

Approvals

UL Recognized / cUL Recognized / GOST / cULus Recognized

Ex Approvals

Approvals submitted

Approval details

UL Recognized	
Nominal current I _N	4 A
Nominal voltage U _N	125 V

Bus system connector - SACC-MR-5SC SH DN SCO - 1432774

Approvals

cUL Recognized	
Nominal current I _N	4 A
Nominal voltage U _N	125 V

GOST	
------	--

cULus Recognized	
------------------	--

Accessories

Accessories

Data cable by the meter

Bus system cable - SAC-5P-920/... - 1511504



Cable ring for CANopen[®] and DeviceNet[™] cable, 5-pos., in cable lengths from 0.5 m to 400 m

Protective cap

Sealing cap - PROT-M12 FS-PA-CHAIN - 1430873

M12 sealing cap made of plastic with fixing band, for sensor cables, for free M12 sockets



Screwdriver tools

Bus system connector - SACC-MR-5SC SH DN SCO - 1432774

Accessories

Tool - SACC BIT M12-D20 - 1208445



Nut for assembling SACC M12 connectors for free assembly, excluding M12 connectors with QUICKON fast connection technology, for 4 mm hexagonal drive

Adapter insert - TSD-M SAC-BIT ADAPTER - 1212600



Adapter bit for TSD-M...torque tools, E6.3-1/4" drive with 4 mm hexagon to accommodate SAC bits

Shield connection

Shielding foil - ALU-SB - 1404531



Aluminum shielding tape, for fixing the braided shield of shielded cables. Length: 4 cm, width: 1.2 cm

Torque tool

Torque screwdriver - TSD 04 SAC - 1208429



Torque screwdriver, with preset torque of 0.4 Nm and 4 mm hexagonal drive for M12 connectors

Torque screwdriver - TSD 08 SAC - 1212597



Torque screw driver with preset torque of 0.8 Nm, with 4 mm hexagon for accommodating SAC bits, two-component handle with non-slip grip

Bus system connector - SACC-MR-5SC SH DN SCO - 1432774

Accessories

Torque screwdriver - TSD-M 1,2NM - 1212224



Torque screw driver, accuracy as per EN ISO 6789 standard, adjustable from 0.3 - 1.2 Nm

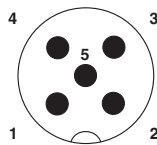
Torque screwdriver - TSD-M 3NM - 1212225



Torque screw driver, accuracy as per EN ISO 6789 standard, adjustable from 1.2 - 3 Nm

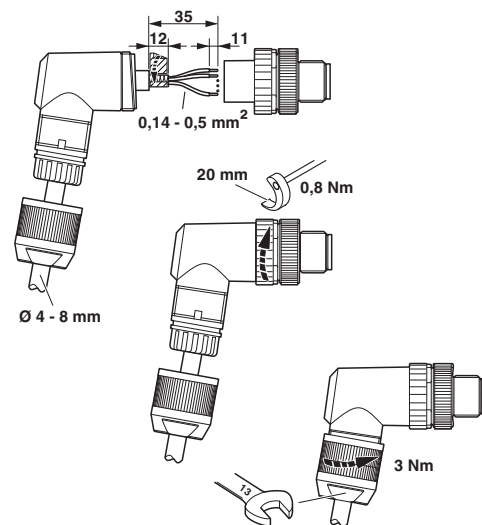
Drawings

Schematic diagram



Pin assignment M12 male connector, 5-pos., A-coded, male side

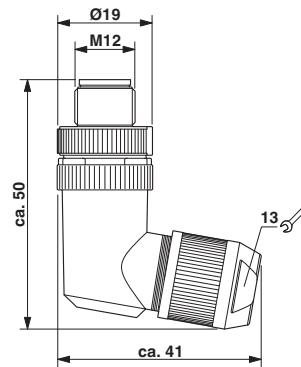
Functional drawing



Strip the cable, shorten the shield, strip the single wires, push the pressure nut onto the cable. Slide the wires through the sleeve housing and connect, stick shielding foil around the shortened shield, in the case of straight sleeve housing, gently twist the wires together, screw sleeve housing to the plug insert, screw the pressure nut tight.

Bus system connector - SACC-MR-5SC SH DN SCO - 1432774

Dimensioned drawing



Plug M12 SPEEDCON, angled, shielded