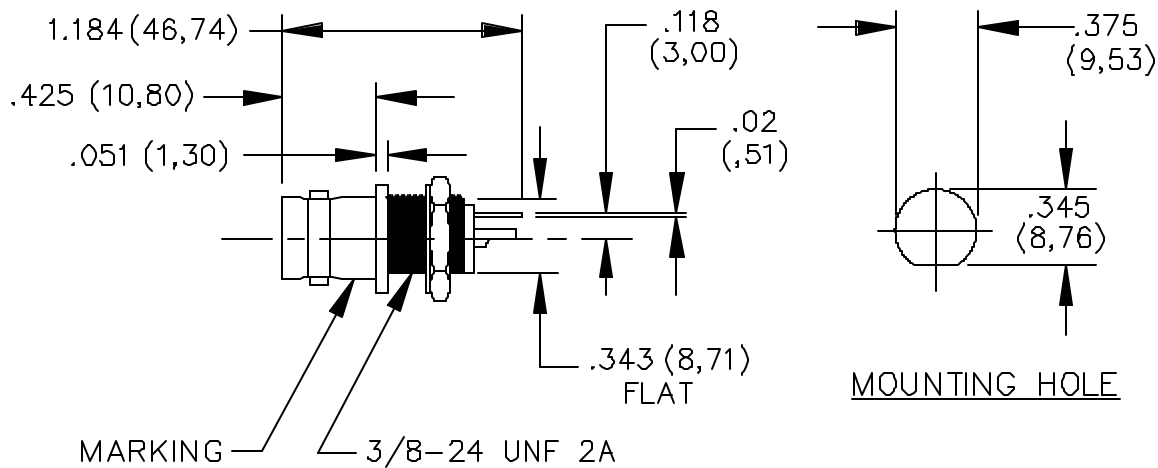


## Model 5148 BNC (Female) Bulkhead Receptacle, Isolated Ground



### MATERIALS:

Body: Brass, Tarnish Resistant Plating, Center Contact – Gold Plated Beryllium Copper.

Mounting hardware is isolated from outer conductor of BNC, Internal tooth lockwasher, hex nut.

Marking: “Pomona 5148”

### RATING:

Nominal Impedance: 50 Ohms

Valox Insulation

### ORDERING INFORMATION: Model 5148

All dimensions are in inches. Tolerances (except noted): .xx = ±.02” (.51 mm), .xxx = ±.005” (.127 mm).

All specifications are to the latest revisions. Specifications are subject to change without notice.

Registered trademarks are the property of their respective companies. Made in USA