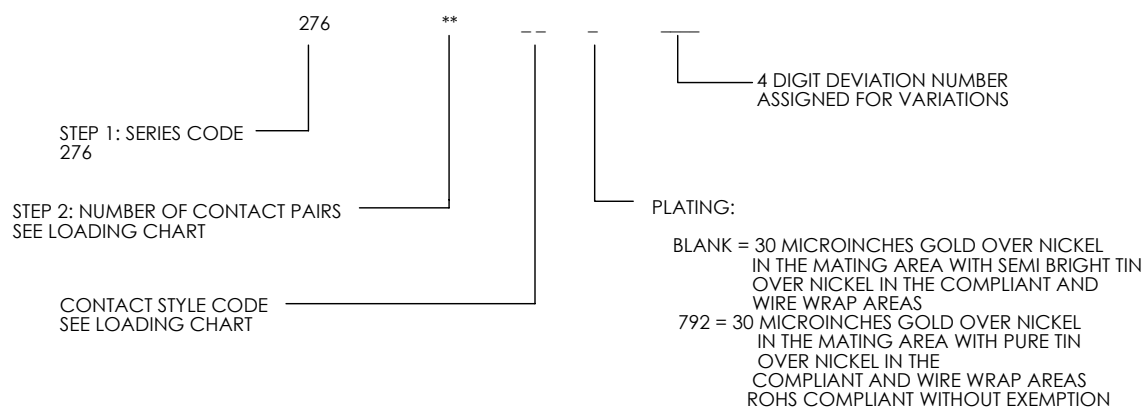


276-27-19-5218	19,20, 26, 27, 46, 47, 53, 54	8	1 THRU 18 21 THRU 25 28 THRU 45 48 THRU 52	46	--	--	.425 [6.35]
276-50-47-4989	NONE	--	1 THRU 100	100	NONE	--	.425 [6.35]
276-50-47	NONE	--	1 THRU 100	100	NONE	--	.425 [6.35]
276-25-46-4989	NONE	--	1 THRU 50	50	NONE	--	.425 [6.35]
276-25-46	NONE	--	1 THRU 50	50	NONE	--	.425 [6.35]
276-27-19-4874	NONE	--	1 THRU 54	54	--	--	.425 [6.35]
276-27-20-4857	NONE	--	1 THRU 27	27	28 THRU 54	27	.425 [6.35]
276-50-05	NONE	--	1 THRU 100	100	NONE	--	.230 [5.84]
276-27-38	1 THRU 8 10 THRU 18 20, 21, 24, 25 28 THRU 35 37 THRU 45 47, 48, 51, 52	42	9,19,22,23,26,27	6	34,46, 49,50,53,54	6	.634 [16.10]
276-27-37	3 THRU 10 14 THRU 21 30 THRU 37 41 THRU 48	32	1, 2, 11, 12, 13, 22 THRU 27	11	28,29, 38, 39, 40 49 THRU 54	11	.634 [16.10]
276-27-36	2 THRU 9 11 THRU 24 29 THRU 36 38 THRU 51	44	1, 10, 25, 26,27	5	28, 37, 52, 53, 54	5	.634 [16.10]
276-27-35	12, 39	2	1 THRU 11 13 THRU 27	26	28 THRU 34 40 THRU 54	26	.634 [16.10]
276-50-31	NONE	--	1 THRU 100	100	--	--	.634 [16.10]
276-25-30	NONE	--	1 THRU 50	50	--	--	.634 [16.10]
276-30-29	29, 59	2	31 THRU 58 AND 60	29	1 THRU 28 AND 30	29	.634 [16.10]
276-30-26	5, 6, 12,13,18,19,23 24,28,29,35,36,42,43 48,49,53,54,58,59	20	31 THRU 34 37 THRU 41 44 THRU 47 50 THRU 52 55 THRU 57 AND 60	20	1 THRU 4 7 THRU 11 14 THRU 17 20 THRU 22 25 THRU 27 AND 30	20	.634 [16.10]
276-27-25	2, 6, 7, 29, 33, 34	6	1 & 3 THRU 5 8 THRU 27	24	28 AND 30 THRU 32 40 THRU 54	24	.634 [16.10]
276-25-24	NONE	--	NONE	--	1 THRU 50	50	.634 [16.10]
276-25-23	2, 7, 27, 32	4	NONE	--	1 AND 3 THRU 6 8 THRU 25 26 AND 28 THRU 38 33 THRU 50	46	.634 [16.10]
276-27-22	8 THRU 10 AND 12 35 THRU 37 AND 39	8	1 THRU 7 AND 11 13 THRU 27	23	28 THRU 34 AND 38 40 THRU 54	23	.634 [16.10]
276-27-21	1 THRU 5 7 THRU 11 AND 13 18 THRU 22 28 THRU 32 34 THRU 38 and 40 45 THRU 49	32	6, 12 14 THRU 17 23 THRU 27	11	33, 39 41 THRU 44 50 THRU 54	11	.634 [16.10]
276-27-20	NONE	--	1 THRU 27	27	28 THRU 54	27	.425 [6.35]
276-27-19	NONE	--	1 THRU 54	54	--	--	.230 [5.84]
276-30-17	4 THRU 7 34 THRU 37	8	31 THRU 33 38 THRU 60	26	1 THRU 3 8 THRU 30	26	.634 [16.10]
276-30-16	1 THRU 9 31 THRU 37	18	40 THRU 60	21	10 THRU 30	21	.634 [16.10]
276-30-15	19, 20, 69, 50	4	31 THRU 48 51 THRU 60	28	1 THRU 18 21 THRU 30	28	.634 [16.10]
276-30-14	NONE	--	31 THRU 60	30	1 THRU 30	30	.634 [16.10]
276-27-12	5, 11, 12, 15, 19, 20, 23, 24, 26, 32, 38, 39, 42, 46, 47, 50, 51, 53	18	1 THRU 4 6 THRU 10 13, 14 16 THRU 18 21, 22, 25, 27	18	28 THRU 31 33 THRU 37 40, 41 43 THRU 45 48, 49, 52, 54	18	.634 [16.10]
276-27-11	22, 24, 25, 26, 27, 49, 51, 52, 53, 54	10	1 THRU 21 AND 23	22	28 THRU 48 AND 50	22	.634 [16.10]
276-27-10	1,7, 18, 23, 28, 34, 45, 50	8	2 THRU 6 8 THRU 17 19 THRU 22 24 THRU 27	23	29 THRU 33 35 THRU 44 46 THRU 49 51 THRU 54	23	.634 [16.10]
276-27-09	18, 22,45, 49	4	1 THRU 17 19 THRU 21 23 THRU 27	25	28 THRU 44 46 THRU 48 50 THRU 54	25	.425
276-27-07	18, 22,45, 49	4	1 THRU 17 19 THRU 21 23 THRU 27	25	28 THRU 44 46 THRU 48 50 THRU 54	25	.634 [16.10]
276-27-06-792	NONE	--	1 THRU 27	27	28 THRU 54	27	.634 [16.10]
276-27-06	NONE	--	1 THRU 27	27	28 THRU 54	27	.634 [16.10]
CATALOG No.	SHORTENING CONTACT POSITION	CONTACT QTY	EARLY MAKE CONTACT POSITION	CONTACT QTY	LATE MAKE CONTACT POSITION	CONTACT QTY	"G" TAIL LENGTH

NOTES: UNLESS OTHERWISE SPECIFIED

- 1 MARK WINCHESTER CATALOG No. AND DATE CODE LOCATED APPROXIMATELY AS SHOWN.
- 2 4857 DEVIATION IS THE SAME AS THE STANDARD PRODUCT EXCEPT THE CARD SLOT LENGTH IS INCREASED .040 (.020 EACH END)
- 3 4989 DEVIATION IS THE SAME AS THE STANDARD PRODUCT EXCEPT THE PLATING IS 75 MICROINCHES GOLD IN THE MATING AREA.
- 4 4874 DEVIATION IS THE SAME AS THE STANDARD PRODUCT EXCEPT THE CARD SLOT LENGTH IS INCREASED .080 (.040 EACH END) AND .425 TAIL LENGTH.
- 5 5218 DEVIATION IS THE SAME AS CATALOG No. 276-27-19 EXCEPT WITH SHORTING CONTACTS LOADED IN POSITIONS 19, 20, 26, 27, 46, 53, 54 AND .425 TAIL LENGTH.

ORDERING INFORMATION



- 1 INSULATOR  
MATERIAL: POLYESTER THERMOPLASTIC GLASS FILLED  
COLOR: BLACK
- 2 CONTACT, EARLY MAKE  
MATERIAL: COPPER NICKEL TIN ALLOY #725  
PLATING: SEE ORDERING INFORMATION
- 3 CONTACT, LATE MAKE  
MATERIAL: COPPER NICKEL TIN ALLOY #725  
PLATING: SEE ORDERING INFORMATION
- 4 STRIP (FOR .634 LENGTH ONLY)  
MATERIAL: MYLAR TYPE D  
COLOR: CLEAR
- 5 CONTACT, SHORTING  
MATERIAL: BERYLLIUM COPPER ALLOY #172  
PLATING: SEE ORDERING INFORMATION

276-50--	6.525 (165.74)	6.485 (164.72)	49	6.125 (155.58)	6.355 (161.42)
276-30--	4.025 (102.24)	3.985 (101.22)	29	3.625 (92.08)	3.855 (97.92)
276-27--	3.650 (92.710)	3.610 (91.69)	26	3.250 (82.55)	3.480 (88.39)
276-25--	3.400 (86.36)	3.360 (85.34)	24	3.000 (76.20)	3.230 (82.04)
CATALOG No.	A	B	C	(D)	E

PER ASME Y14.5M-1994  
UNLESS OTHERWISE SPECIFIED:  
DIMENSIONS ARE IN INCHES [MM]  
TOLERANCES:  
DECIMAL: .XX [X.X] ± .01 [0.3]  
.XXX [X.XX] ± .005 [0.13]  
.XXXX [X.XXX] ± .XXXX  
ANGLES: ± 2° SCALE: 1:1

DIST CODE

**Winchester Electronics**  
Winchester Electronics Corporation  
62 Barnes Industrial Road North  
Wallingford, Connecticut 06492

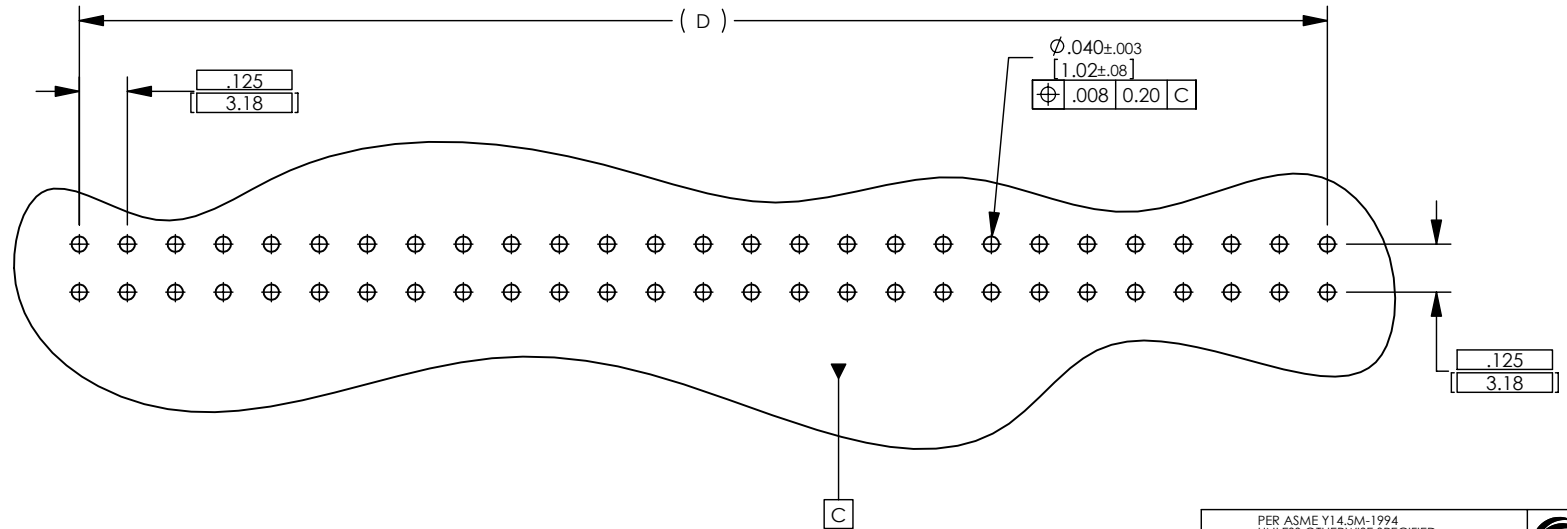
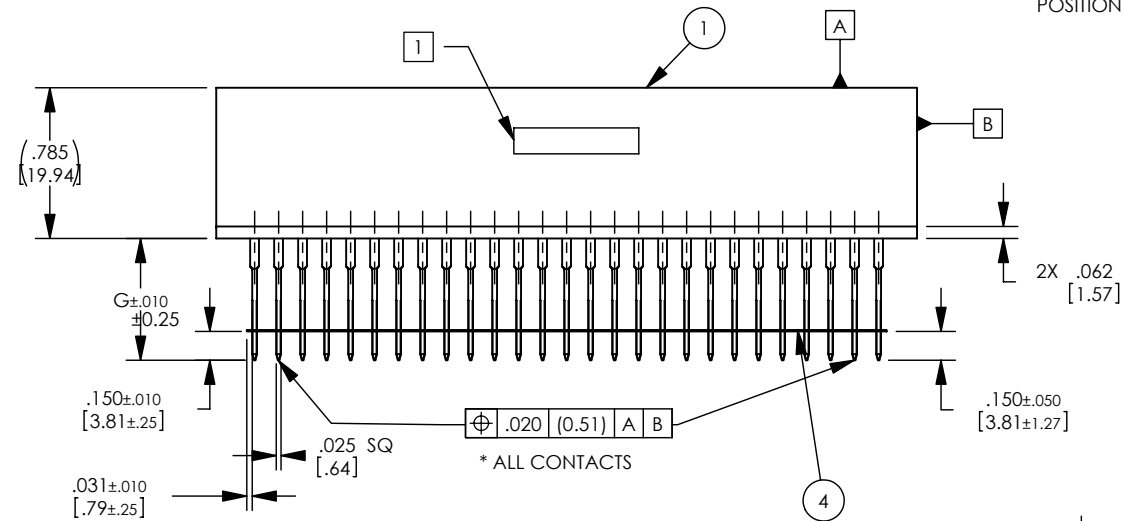
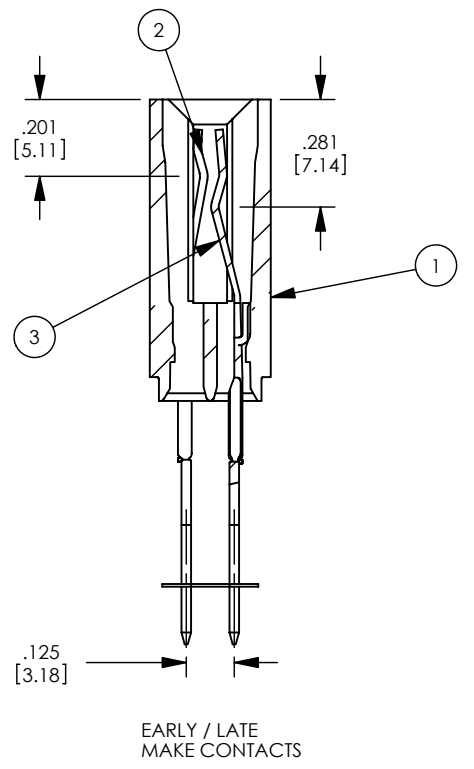
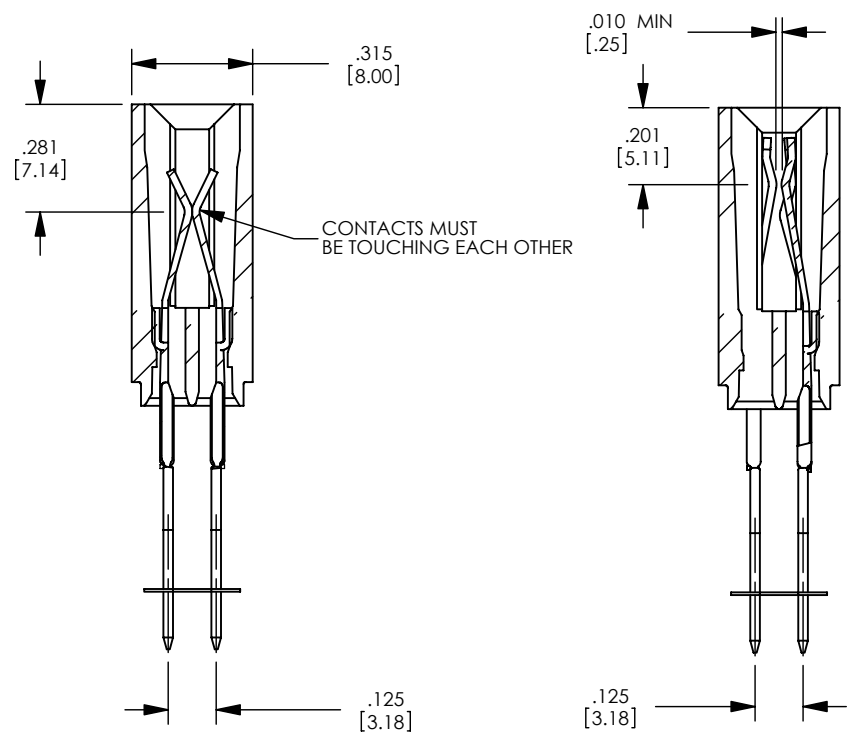
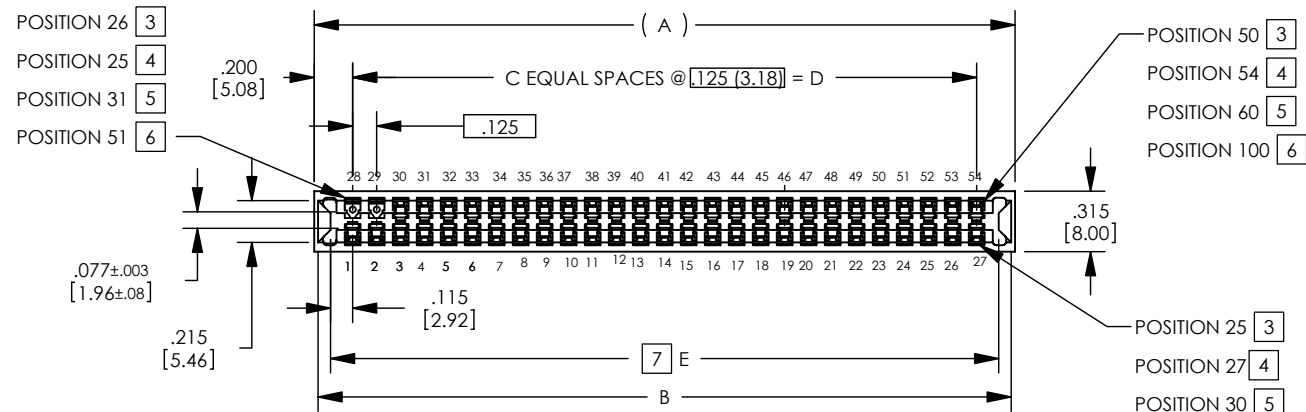
CUSTOMER DRAWING

.125 X .125 GRID

DRAWN	DATE	APPROVED	DATE
JOE R.	12/10/84	HK	02/10/85
APPROVED	DATE	APPROVED	DATE
HK	02/10/85	XXX	XX/XX/XX

B 24510 SHT 1 OF 2 REV J

REV	DESCRIPTION	BY DATE	APPD
J	REVISED PER ER7294	80/90/SC CWD HBA	



PER ASME Y14.5M-1994  
 UNLESS OTHERWISE SPECIFIED:  
 DIMENSIONS ARE IN INCHES [MM]  
 TOLERANCES:  
 DECIMAL: .XX [X.X] ± .01 [0.3]  
 .XXX [X.XX] ± .005 [0.13]  
 .XXXX [X.XXX] ± .XXXX  
 ANGLES: ± 2°  
 SCALE: 1:1

**Winchester Electronics**  
 Winchester Electronics Corporation  
 62 Barnes Industrial Road North  
 Wallingford, Connecticut 06492

**CUSTOMER DRAWING**

C-PRESS EDGE CARD ASSEMBLY

DRAWN	DATE	APPROVED	DATE
JOE R	12/10/84	HK	12/10/84
APPROVED	DATE	APPROVED	DATE
HK	12/10/84	XXX	XX/XX/XX

**B** 24510 SHT 2 OF 2 REV J