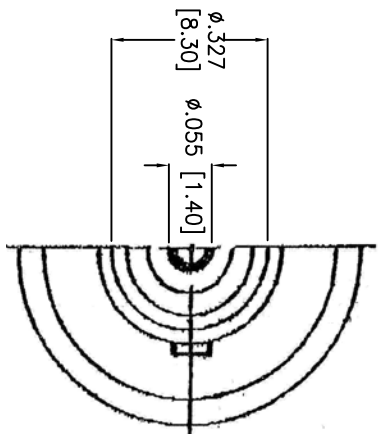
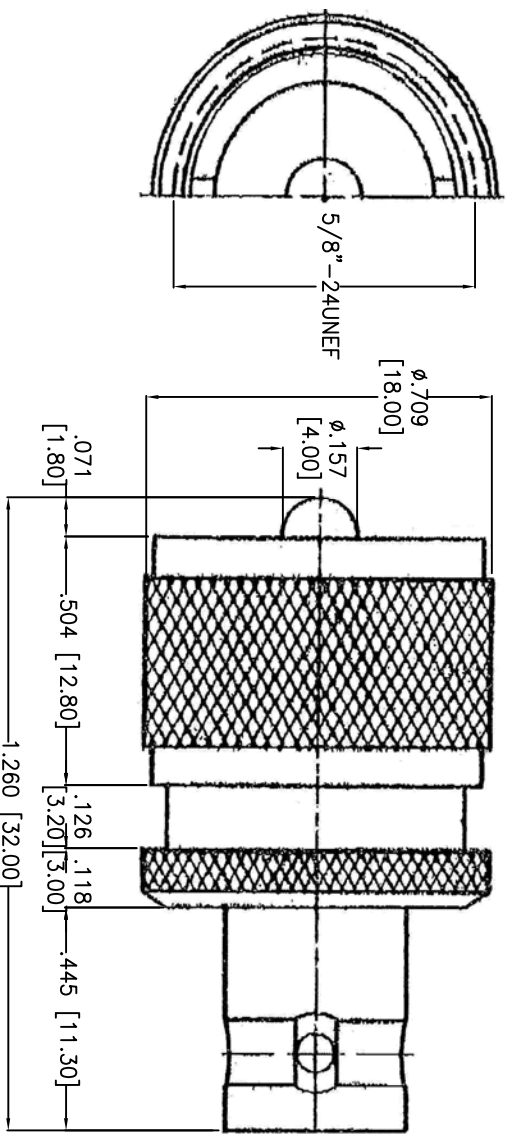


Rev	AWO #	Description	Date	Appr
-	9887	RELEASED	11/20/09	

APPROVED: _____
 DATE: _____ TITLE: _____



DESCRIPTION	MATERIAL	QTY
WASHER	BRASS	1
WASHER	BRASS	1
INSULATOR	DELRI	1
PIN	BRASS	1
BODY	BRASS	1
SHELL	BRASS	1

SPECIFICATIONS:

Electrical:
 Impedance: 50 ohms
 Frequency range: 0-200 MHz
 Working Voltage: 500 VRMS max.
 Dielectric Withstanding Voltage: 1500 VRMS min.
 Contact Resistance: 3 Milliohms max. (Center Contact)
 2 Milliohms max. (Outer Contact)
 Insulator Resistance: 5000 Megohms min.
 Environmental:
 Lead free, RoHS compliant.



ADAM TECH

909 Rahway Avenue, Union, NJ 07083
 Phone: 908-687-5000 Fax: 908-687-5710

JHF MALE TO BNC FEMALE

UNLESS OTHERWISE SPECIFIED
 ALL DIMENSIONS ARE INCHES [MM]
 TOLERANCES: EXCEPT AS NOTED

INCHES	HOLES
.X ± .10	Ø.X ± .10
.XX ± .020	Ø.XXX ± .015
.XXX ± .015	Ø.XXX ± .010

APPROVALS

DATE	DATE
11/20/09	

DRAWN: DY
 CHECKED:
 APPROVED:

SIZE	PART NO.	REV.
X	RF6-20-D-AS-50	
REF: S00049T	SCALE: NTS	SHEET 1 OF 1