

# INA27xA-Q1 Automotive Grade, –16V to +80V, Low- or High-side, High-Speed, Voltage Output Current Sense Amplifier With Simplified Filter Inputs

## 1 Features

- Qualified for Automotive Applications
- AEC-Q100 Qualified With the Following Results:
  - Device Temperature Grade 1: –40°C to +125°C Ambient Operating Temperature Range
  - Device HBM ESD Classification Level 2
  - Device CDM ESD Classification Level C6
- Pinout Optimized for External Filtering
- Wide Common-Mode Range: –16 V to +80 V
- Accuracy:
  - CMRR: 120 dB
  - $\pm 2.5$ -mV Offset (Maximum)
  - $\pm 1\%$  Gain Error (Maximum)
  - 20- $\mu$ V/°C Offset Drift (Maximum)
  - 55-ppm/°C Gain Drift (Maximum)
- Bandwidth: Up to 130 kHz
- Two Gain Options Available:
  - 14 V/V (INA270A-Q1)
  - 20 V/V (INA271A-Q1)
- Quiescent Current: 900  $\mu$ A (Maximum)
- Power Supply: 2.7 V to 18 V
- Packages: SOIC-8

## 2 Applications

- Electric Power Steering (EPS) Systems
- Body Control Modules
- Brake Systems
- Electronic Stability Control (ESC) Systems

## 3 Description

The INA270A-Q1 and INA271A-Q1 (INA27xA-Q1) family of current-shunt monitors with voltage output can sense voltage drops across current shunts at common-mode voltages from –16 V to +80 V, independent of the supply voltage. The INA27xA-Q1 pinouts readily enable filtering.

The INA27xA-Q1 devices are available with two output voltage scales: 14 V/V and 20 V/V. The 130-kHz bandwidth simplifies use in current-control loops.

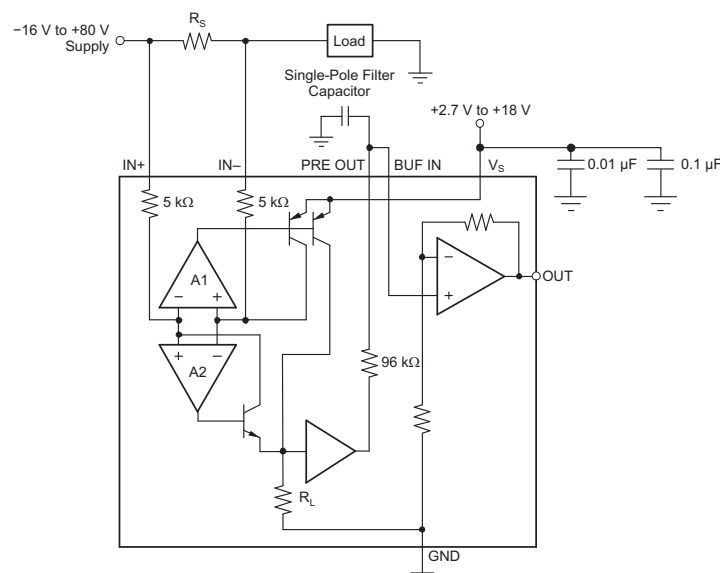
The INA27xA-Q1 operates from a single 2.7-V to 18-V supply, drawing a maximum of 900  $\mu$ A of supply current. They are specified over the extended operating temperature range of –40°C to +125°C and are offered in an SOIC-8 package.

### Device Information<sup>(1)</sup>

PART NUMBER	PACKAGE	BODY SIZE (NOM)
INA270A-Q1	SOIC (8)	4.90 mm x 3.91 mm
INA271A-Q1		

(1) For all available packages, see the orderable addendum at the end of the data sheet.

### Simplified Schematic



Copyright © 2016, Texas Instruments Incorporated



## Table of Contents

<b>1 Features</b> .....	<b>1</b>	8.4 Device Functional Modes.....	<b>9</b>
<b>2 Applications</b> .....	<b>1</b>	<b>9 Application and Implementation</b> .....	<b>11</b>
<b>3 Description</b> .....	<b>1</b>	9.1 Application Information.....	<b>11</b>
<b>4 Revision History</b> .....	<b>2</b>	9.2 Typical Application .....	<b>14</b>
<b>5 Device Comparison Table</b> .....	<b>3</b>	<b>10 Power Supply Recommendations</b> .....	<b>16</b>
<b>6 Pin Configuration and Functions</b> .....	<b>3</b>	10.1 Shutdown .....	<b>16</b>
<b>7 Specifications</b> .....	<b>3</b>	<b>11 Layout</b> .....	<b>17</b>
7.1 Absolute Maximum Ratings .....	<b>3</b>	11.1 Layout Guidelines .....	<b>17</b>
7.2 ESD Ratings.....	<b>4</b>	11.2 Layout Example .....	<b>17</b>
7.3 Recommended Operating Conditions.....	<b>4</b>	<b>12 Device and Documentation Support</b> .....	<b>18</b>
7.4 Thermal Information .....	<b>4</b>	12.1 Related Links .....	<b>18</b>
7.5 Electrical Characteristics.....	<b>4</b>	12.2 Community Resources.....	<b>18</b>
7.6 Typical Characteristics .....	<b>6</b>	12.3 Trademarks .....	<b>18</b>
<b>8 Detailed Description</b> .....	<b>9</b>	12.4 Electrostatic Discharge Caution.....	<b>18</b>
8.1 Overview .....	<b>9</b>	12.5 Glossary .....	<b>18</b>
8.2 Functional Block Diagram .....	<b>9</b>	<b>13 Mechanical, Packaging, and Orderable</b>	<b>18</b>
8.3 Feature Description.....	<b>9</b>	<b>Information</b> .....	<b>18</b>

## 4 Revision History

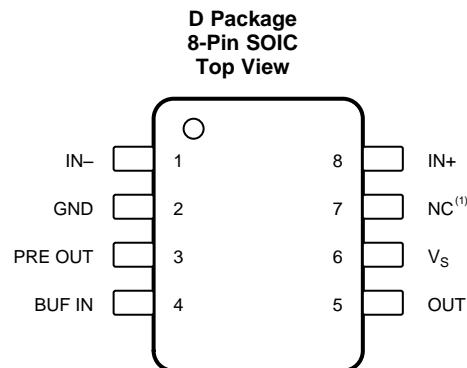
NOTE: Page numbers for previous revisions may differ from page numbers in the current version.

<b>Changes from Revision B (February 2010) to Revision C</b>	<b>Page</b>
• Updated data sheet title, <i>Features</i> , and <i>Applications</i> .....	<b>1</b>
• Updated device name from INA270-Q1 and INA271-Q1 to INA270A-Q1 and INA271A-Q1 .....	<b>1</b>
• Added A-Q1 to INA270 and INA271 throughout document .....	<b>1</b>
• Added <i>Device Information</i> table, <i>ESD Ratings</i> table, <i>Feature Description</i> section, <i>Device Functional Modes</i> , <i>Application and Implementation</i> section, <i>Power Supply Recommendations</i> section, <i>First- or Second-Order Filtering</i> section <i>Layout</i> section, <i>Device and Documentation Support</i> section, and <i>Mechanical, Packaging, and Orderable Information</i> section. ....	<b>1</b>
• Changed V+ to V <sub>S</sub> throughout .....	<b>3</b>
• Added equation (V <sub>IN+</sub> + V <sub>IN-</sub> )/2 to common-mode in <i>Absolute Maximum Ratings</i> table.....	<b>3</b>
• Updated V <sub>SENSE</sub> equation.....	<b>4</b>
• Changed Input offset voltage temperature coefficient symbol .....	<b>4</b>

## 5 Device Comparison Table

DEVICE	GAIN
INA270A-Q1	14 V/V
INA271A-Q1	20 V/V

## 6 Pin Configuration and Functions



(1) NC – No internal connection

### Pin Functions

PIN		TYPE <sup>(1)</sup>	DESCRIPTION
NAME	NO.		
BUF IN	4	AI	Buffer Input. Connect to output of filter from PRE OUT
GND	2	A	Ground
IN–	1	AI	Negative input. Connect to load side of shunt resistor.
IN+	8	AI	Positive input. Connect to supply side of shunt resistor.
NC	7	—	Not internally connected. Connect to ground.
PRE OUT	3	AO	Pre Amplifier Output. Connect to input of filter to BUF IN.
OUT	5	AO	Output
V <sub>S</sub>	6	AI	Power supply, 2.7 V to 18 V

(1) A = Analog, AI = Analog input, AO = Analog output

## 7 Specifications

### 7.1 Absolute Maximum Ratings

over operating free-air temperature range (unless otherwise noted)<sup>(1)</sup>

		MIN	MAX	UNIT
V <sub>S</sub>	Supply voltage		18	V
V <sub>SENSE</sub>	Differential analog input voltage range (V <sub>IN+</sub> – V <sub>IN–</sub> )	–18	18	V
V <sub>CM</sub>	Common-mode analog input voltage range (V <sub>IN+</sub> + V <sub>IN–</sub> )/2	–16	80	V
V <sub>O</sub>	Analog output voltage range (OUT and PRE OUT)	(GND – 0.3)	(V <sub>S</sub> ) + 0.3	V
I <sub>I</sub>	Input current (any pin)		5	mA
T <sub>J</sub>	Maximum junction temperature		150	°C
T <sub>A</sub>	Operating free-air temperature	–40	125	°C
T <sub>stg</sub>	Storage temperature	–65	150	°C

(1) Stresses beyond those listed under *Absolute Maximum Ratings* may cause permanent damage to the device. These are stress ratings only, which do not imply functional operation of the device at these or any other conditions beyond those indicated under *Recommended Operating Conditions*. Exposure to absolute-maximum-rated conditions for extended periods may affect device reliability.

## 7.2 ESD Ratings

		VALUE	UNIT
V <sub>(ESD)</sub>	Electrostatic discharge	Human-body model (HBM), per AEC Q100-002 <sup>(1)</sup>	2000
		Machine Model (MM)	100
		Charged-device model (CDM), per AEC Q100-011	1000

(1) AEC Q100-002 indicates that HBM stressing shall be in accordance with the ANSI/ESDA/JEDEC JS-001 specification.

## 7.3 Recommended Operating Conditions

		MIN	NOM	MAX	UNIT
V <sub>S</sub>	Supply voltage	2.7	5	18	V
V <sub>CM</sub>	Common mode input	-16	12	80	V
T <sub>A</sub>	Operating free-air temperature	-40	25	125	°C

## 7.4 Thermal Information

THERMAL METRIC <sup>(1)</sup>		INA27xA-Q1	UNIT
		D (SOIC)	
		8 PINS	
R <sub>θJA</sub>	Junction-to-ambient thermal resistance	78.8	°C/W
R <sub>θJC(top)</sub>	Junction-to-case (top) thermal resistance	71.6	°C/W
R <sub>θJB</sub>	Junction-to-board thermal resistance	68.2	°C/W
Ψ <sub>JT</sub>	Junction-to-top characterization parameter	22	°C/W
Ψ <sub>JB</sub>	Junction-to-board characterization parameter	67.6	°C/W
R <sub>θJC(bot)</sub>	Junction-to-case (bottom) thermal resistance	n/a	°C/W

(1) For more information about traditional and new thermal metrics, see the *Semiconductor and IC Package Thermal Metrics* application report, [SPRA953](#).

## 7.5 Electrical Characteristics

T<sub>A</sub> = 25°C, V<sub>S</sub> = 5 V, V<sub>CM</sub> = 12 V, V<sub>SENSE</sub> = 100 mV, PRE OUT connected to BUF IN (unless otherwise noted)

PARAMETER	TEST CONDITIONS	MIN	TYP	MAX	UNIT
<b>Input</b>					
V <sub>SENSE</sub>	Full-scale input voltage V <sub>SENSE</sub> = V <sub>IN+</sub> - V <sub>IN-</sub>		0.15	(V <sub>S</sub> - 0.2)/Gain	V
V <sub>CM</sub>	Common-mode input voltage T <sub>A</sub> = -40°C to +125°C	-16		80	V
CMRR	Common-mode rejection V <sub>IN+</sub> = -16 V to +80 V	80	120		dB
	V <sub>IN+</sub> = 12 V to 80 V, T <sub>A</sub> = -40°C to +125°C	100	120		
V <sub>OS</sub>	Offset voltage, RTI <sup>(1)</sup> T <sub>A</sub> = -40°C to +125°C		±0.5	2.5	mV
				±3	
dV <sub>OS</sub> /dT	Input offset voltage temperature coefficient T <sub>A</sub> = -40°C to +125°C		2.5	20	μV/°C
PSR	Offset voltage power-supply rejection V <sub>S</sub> = 2.7 V to 18 V, V <sub>CM</sub> = 18 V, T <sub>A</sub> = -40°C to +125°C		5	100	μV/V
I <sub>IB</sub>	Input bias current IN- pin, T <sub>A</sub> = -40°C to +125°C full range		±8	±16	μA
Z <sub>O</sub>	Output impedance <sup>(2)</sup> PRE OUT pin		96		kΩ
	Buffer input bias current		-50		nA
	Buffer input bias current temperature coefficient		±0.3		nA/°C

(1) RTI = referred to input

(2) Initial resistor variation is ±30% with an additional -2200-ppm/°C temperature coefficient.

## Electrical Characteristics (continued)

 $T_A = 25^\circ\text{C}$ ,  $V_S = 5\text{ V}$ ,  $V_{CM} = 12\text{ V}$ ,  $V_{SENSE} = 100\text{ mV}$ , PRE OUT connected to BUF IN (unless otherwise noted)

PARAMETER		TEST CONDITIONS	MIN	TYP	MAX	UNIT
<b>Output (<math>V_{SENSE} \geq 20\text{ mV}</math>)<sup>(3)</sup></b>						
G	Gain	INA270A-Q1	14			V/V
		INA271A-Q1	20			
$G_{BUF}$	Output buffer gain		2			V/V
	Total gain error	$V_{SENSE} = 20\text{ mV to }100\text{ mV}$		$\pm 0.2\%$	$\pm 1\%$	
			$T_A = -40^\circ\text{C to }+125^\circ\text{C}$		$\pm 2\%$	
	Total gain error temperature coefficient	$T_A = -40^\circ\text{C to }+125^\circ\text{C}$			50	ppm/°C
	Total output error <sup>(4)</sup>			$\pm 0.75\%$	$\pm 2.2\%$	
		$T_A = -40^\circ\text{C to }+125^\circ\text{C}$		$\pm 1\%$	$\pm 3\%$	
	Nonlinearity error	$V_{SENSE} = 20\text{ mV to }100\text{ mV}$		$\pm 0.002\%$		
$Z_O$	Output impedance	OUT pin		1.5		$\Omega$
	Maximum capacitive load	No sustained oscillation		10		nF
<b>Voltage Output<sup>(5)</sup></b>						
	Swing to $V_S$ power-supply rail	$R_L = 10\text{ k}\Omega$ to GND, $T_A = -40^\circ\text{C to }+125^\circ\text{C}$		$V_S - 0.05$	$V_S - 0.2$	V
	Swing to GND	$R_L = 10\text{ k}\Omega$ to GND, $T_A = -40^\circ\text{C to }+125^\circ\text{C}$		$V_{GND} + 0.003$	$V_{GND} + 0.05$	V
<b>Frequency Response</b>						
BW	Bandwidth	$C_L = 5\text{ pF}$		130		kHz
$\phi_m$	Phase margin	$C_L < 10\text{ nF}$		40		degrees
SR	Slew rate			1		V/ $\mu\text{s}$
$t_s$	Settling time (1%)	$V_{SENSE} = 10\text{ mV to }100\text{ mV}$ , $C_L = 5\text{ pF}$		2		$\mu\text{s}$
<b>Noise, RTI<sup>(1)</sup></b>						
$V_n$	Voltage noise density			40		nV/ $\sqrt{\text{Hz}}$
<b>Power Supply</b>						
$I_Q$	Quiescent current	$V_{OUT} = 2\text{ V}$		700	900	$\mu\text{A}$
		$V_{SENSE} = 0\text{ V}$ , $T_A = -40^\circ\text{C to }+125^\circ\text{C}$		350	950	

(3) For output behavior when  $V_{SENSE} < 20\text{ mV}$ , see [Application Information](#)

(4) Total output error includes effects of gain error and  $V_{OS}$ .

(5) See [Typical Characteristics](#) curve Output Swing vs Output Current and [Accuracy Variations as a Result of VSENSE and Common-Mode Voltage](#) in the [Application Information](#) section.

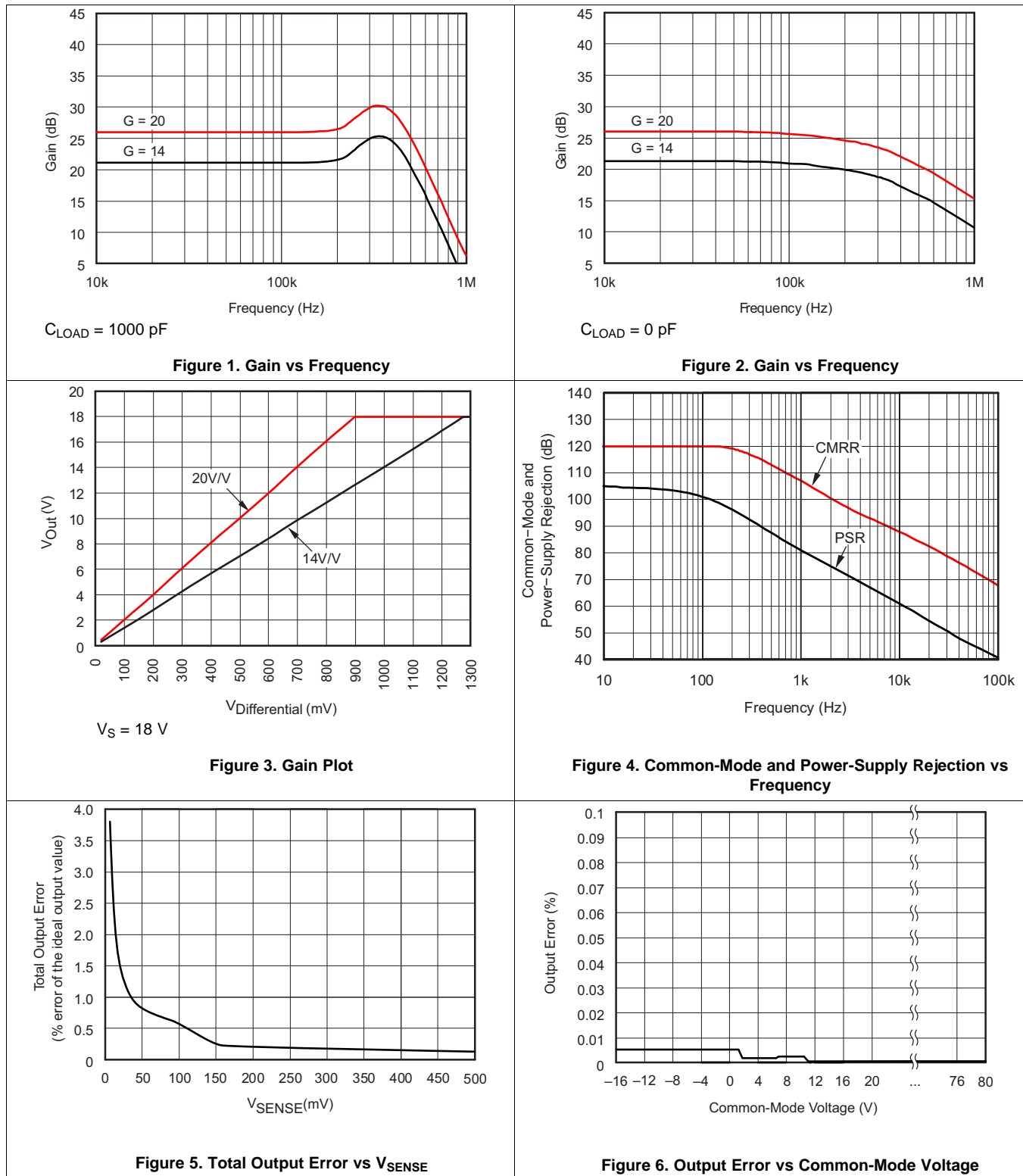
# INA270A-Q1, INA271A-Q1

SBOS401C – JULY 2007 – REVISED APRIL 2016

www.ti.com

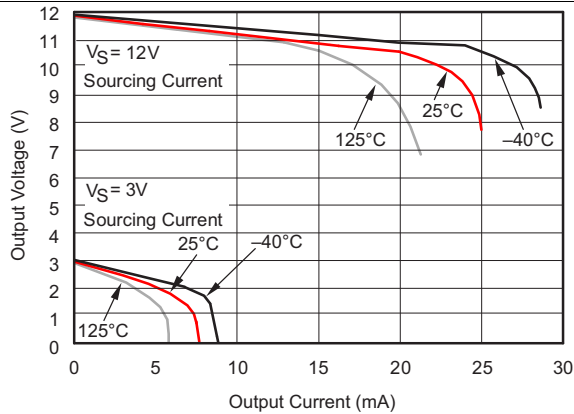
## 7.6 Typical Characteristics

$T_A = 25^\circ\text{C}$ ,  $V_S = 12\text{ V}$ ,  $V_{CM} = 12\text{ V}$ ,  $V_{SENSE} = 100\text{ mV}$  (unless otherwise noted)



Typical Characteristics (continued)

$T_A = 25^\circ\text{C}$ ,  $V_S = 12\text{ V}$ ,  $V_{CM} = 12\text{ V}$ ,  $V_{SENSE} = 100\text{ mV}$  (unless otherwise noted)



Output stage is designed to source current. Current sinking capability is approximately 400  $\mu\text{A}$ .

Figure 7. Positive Output Voltage Swing vs Output Current

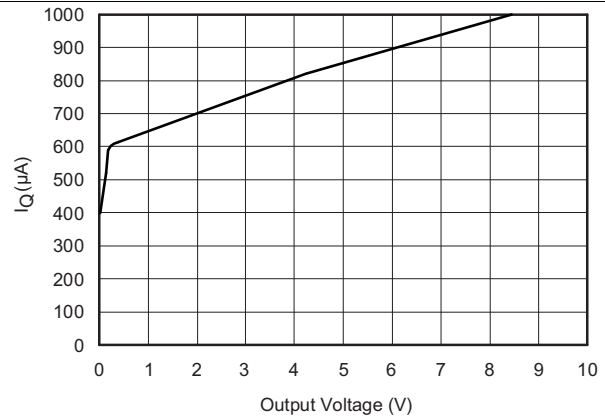


Figure 8. Quiescent Current vs Output Voltage

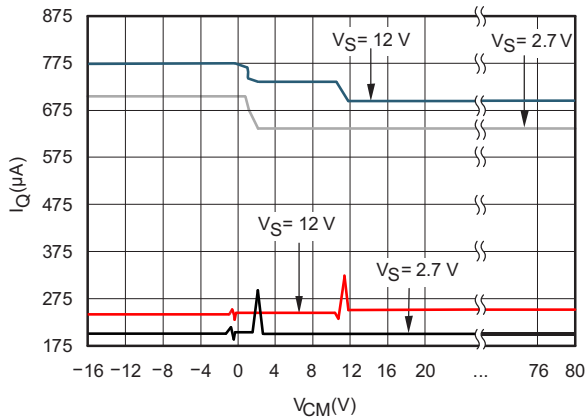


Figure 9. Quiescent Current vs Common-Mode Voltage

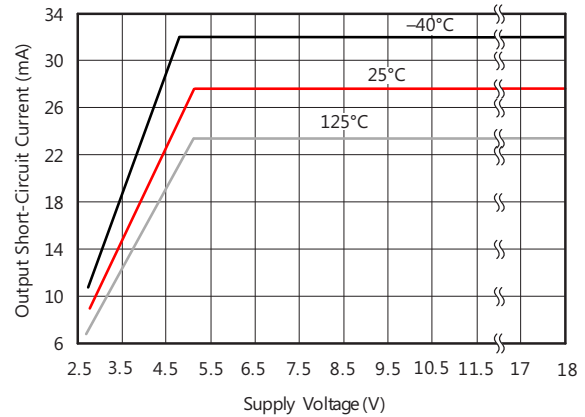


Figure 10. Output Short-Circuit Current vs Supply Voltage

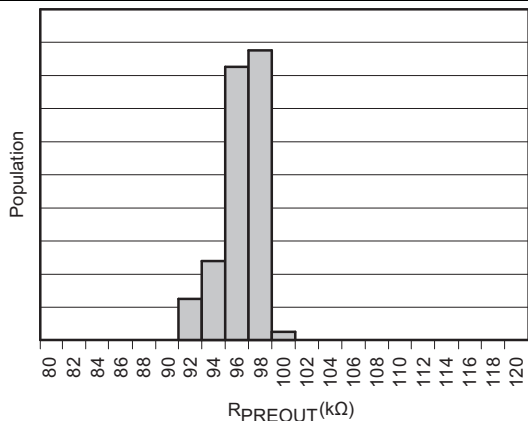


Figure 11. Preout Output Resistance Production Distribution

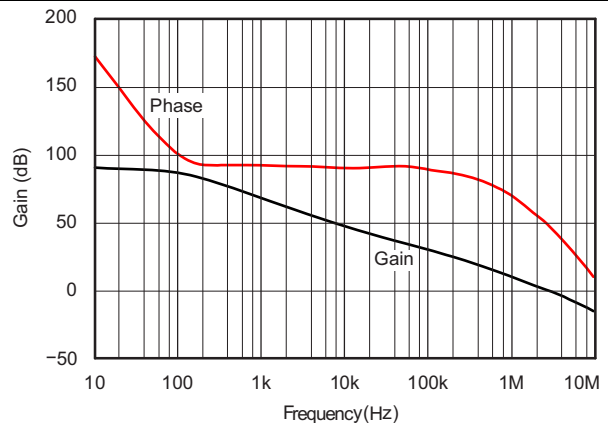
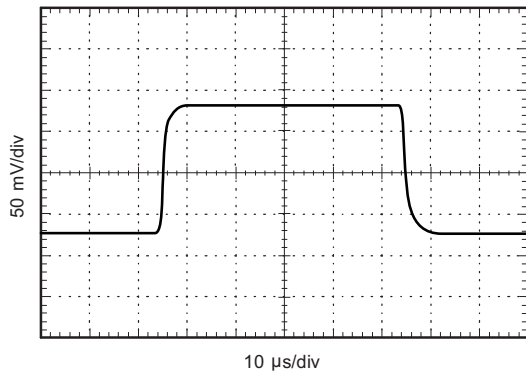
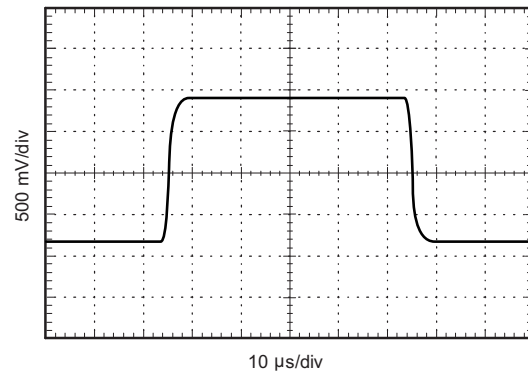


Figure 12. Buffer Gain vs Frequency

**Typical Characteristics (continued)**
 $T_A = 25^\circ\text{C}$ ,  $V_S = 12\text{ V}$ ,  $V_{CM} = 12\text{ V}$ ,  $V_{SENSE} = 100\text{ mV}$  (unless otherwise noted)


**Figure 13. Small-Signal Step Response 10-mV to 20-mV Input**



**Figure 14. Large-Signal Step Response 10-mV to 100-mV Input**

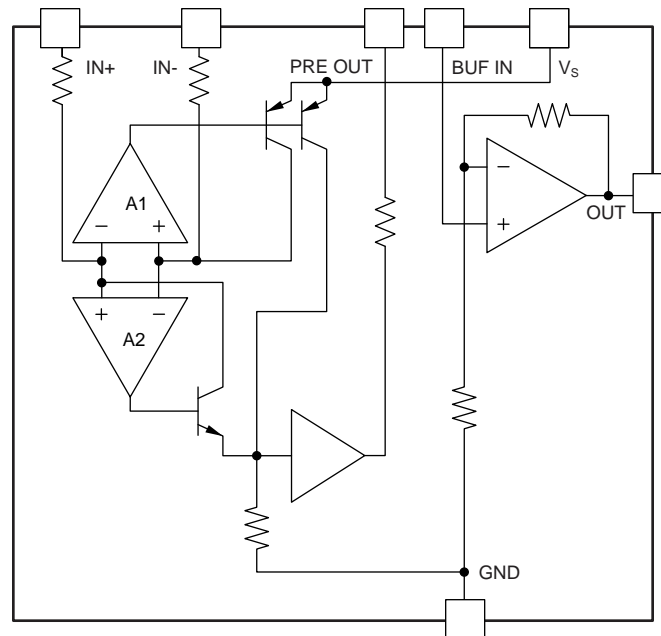


## 8 Detailed Description

### 8.1 Overview

The INA27xA-Q1 is a family of voltage output current-sense amplifiers. INA27xA-Q1 operates over a wide common-mode voltage range (–16 V to +80 V). The package brings out the output of the pre amplifier stage (PRE OUT) and the input to the output buffer stage (BUF IN). This pinout readily enables filtering, see [First- or Second-Order Filtering](#).

### 8.2 Functional Block Diagram



Copyright © 2016, Texas Instruments Incorporated

### 8.3 Feature Description

#### 8.3.1 Output Voltage Range

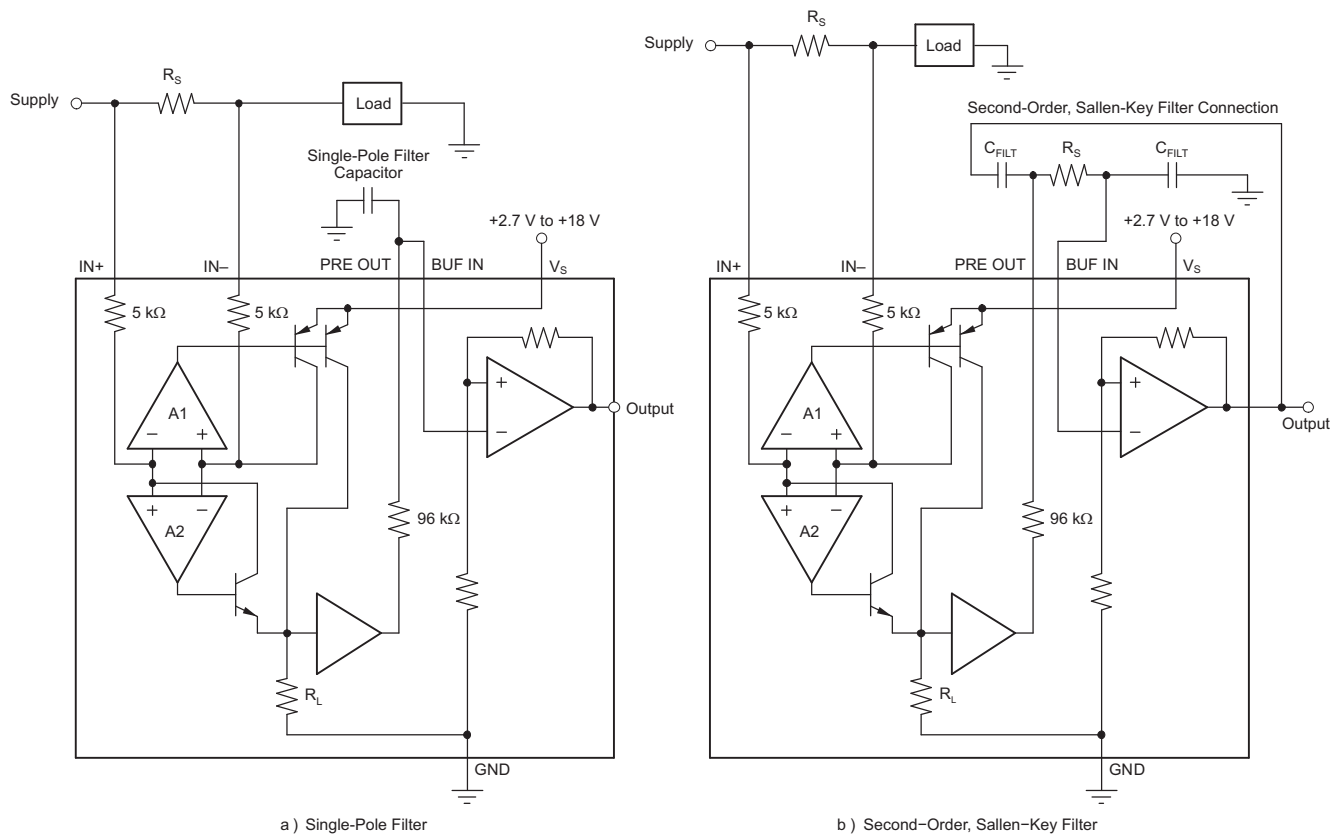
The output of the INA27xA-Q1 is accurate within the output voltage swing range set by the power-supply pin,  $V_S$ .

### 8.4 Device Functional Modes

#### 8.4.1 First- or Second-Order Filtering

The INA27xA-Q1 devices readily enable the inclusion of filtering between the preamp output and buffer input. Single-pole filtering can be accomplished with a single capacitor because of the 96-k $\Omega$  output impedance at PRE OUT on pin 3 (see [Figure 15a](#)).

The INA27xA-Q1 devices readily lend themselves to second-order Sallen-Key configurations (see [Figure 15b](#)). When designing these configurations consider that the PRE OUT 96-k $\Omega$  output impedance exhibits an initial variation of  $\pm 30\%$  with the addition of a  $-2200\text{-ppm}/^\circ\text{C}$  temperature coefficient.

**Device Functional Modes (continued)**


Copyright © 2016, Texas Instruments Incorporated

- A. The INA27xA-Q1 can be easily connected for first-order or second-order filtering. Remember to use the appropriate buffer gain (INA270A-Q1 = 1.4, INA271A-Q1 = 2) when designing Sallen-Key configurations.

**Figure 15. First-Order or Second-Order Filtering**

## 9 Application and Implementation

### NOTE

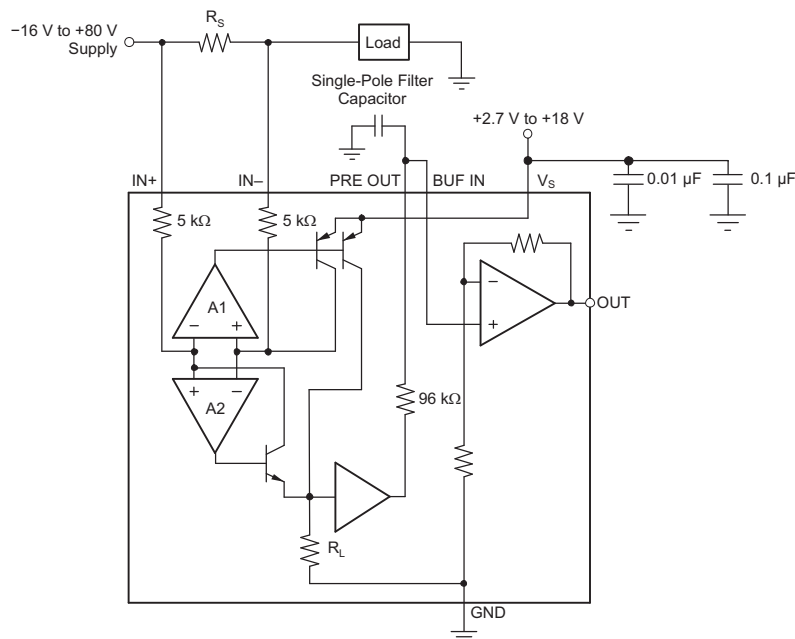
Information in the following applications sections is not part of the TI component specification, and TI does not warrant its accuracy or completeness. TI's customers are responsible for determining suitability of components for their purposes. Customers should validate and test their design implementation to confirm system functionality.

### 9.1 Application Information

The INA27xA-Q1 measures the voltage developed across a current-sensing resistor when current passes through it. There is also a filtering feature to remove unwanted transients and smooth the output voltage.

#### 9.1.1 Basic Connection

Figure 16 illustrates the basic connection of the INA27xA-Q1. The input pins, IN+ and IN–, should be connected as closely as possible to the shunt resistor to minimize any resistance in series with the shunt resistance. Power-supply bypass capacitors are required for stability. Applications with noisy or high-impedance power supplies may require additional decoupling capacitors to reject power-supply noise. Minimum bypass capacitors of 0.01  $\mu\text{F}$  and 0.1  $\mu\text{F}$  in value should be placed close to the supply pins. Although not mandatory, an additional 10- $\mu\text{F}$  electrolytic capacitor placed in parallel with the other bypass capacitors may be useful in applications with particularly noisy supplies.



Copyright © 2016, Texas Instruments Incorporated

**Figure 16. INA270A-Q1 Basic Connection**

#### 9.1.2 Selecting $R_S$

The value chosen for the shunt resistor,  $R_S$ , depends on the application and is a compromise between small-signal accuracy and maximum permissible voltage loss in the measurement line. High values of  $R_S$  provide better accuracy at lower currents by minimizing the effects of offset, while low values of  $R_S$  minimize voltage loss in the supply line. For most applications, best performance is attained with an  $R_S$  value that provides a full-scale shunt voltage range of 50 mV to 100 mV. Maximum input voltage for accurate measurements is  $(V_S - 0.2)/\text{Gain}$ .

## Application Information (continued)

### 9.1.3 Accuracy Variations as a Result of $V_{SENSE}$ and Common-Mode Voltage

The accuracy of the INA27xA-Q1 current-shunt monitors is a function of two main variables:  $V_{SENSE}$  ( $V_{IN+} - V_{IN-}$ ) and common-mode voltage,  $V_{CM}$ , relative to the supply voltage,  $V_S$ .  $V_{CM}$  is expressed as  $(V_{IN+} + V_{IN-})/2$ ; however, in practice,  $V_{CM}$  is seen as the voltage at  $V_{IN+}$  because the voltage drop across  $V_{SENSE}$  is usually small.

This section addresses the accuracy of these specific operating regions:

Normal Case 1:  $V_{SENSE} \geq 20$  mV,  $V_{CM} \geq V_S$

Normal Case 2:  $V_{SENSE} \geq 20$  mV,  $V_{CM} < V_S$

Low  $V_{SENSE}$  Case 1:  $V_{SENSE} < 20$  mV,  $-16$  V  $\leq V_{CM} < 0$

Low  $V_{SENSE}$  Case 2:  $V_{SENSE} < 20$  mV,  $0$  V  $\leq V_{CM} \leq V_S$

Low  $V_{SENSE}$  Case 3:  $V_{SENSE} < 20$  mV,  $V_S < V_{CM} \leq 80$  V

#### 9.1.3.1 Normal Case 1: $V_{SENSE} \geq 20$ mV, $V_{CM} \geq V_S$

This region of operation provides the highest accuracy. Here, the input offset voltage is characterized and measured using a two-step method. First, the gain is determined by [Equation 1](#).

$$G = \frac{V_{OUT1} - V_{OUT2}}{100 \text{ mV} - 20 \text{ mV}}$$

where

- $V_{OUT1}$  = Output voltage with  $V_{SENSE} = 100$  mV
  - $V_{OUT2}$  = Output voltage with  $V_{SENSE} = 20$  mV
- (1)

Then the offset voltage is measured at  $V_{SENSE} = 100$  mV and referred to the input (RTI) of the current-shunt monitor, as shown in [Equation 2](#).

$$V_{OS,RTI} \text{ (referred to input)} = \left( \frac{V_{OUT1}}{G} \right) - 100 \text{ mV}$$
(2)

In [Typical Characteristics](#), the Output Error vs Common-Mode Voltage curve shows the highest accuracy for the this region of operation. In this plot,  $V_S = 12$  V; for  $V_{CM} \geq 12$  V, the output error is at its minimum. This case is also used to create the  $V_{SENSE} \geq 20$  mV output specifications in [Electrical Characteristics](#).

#### 9.1.3.2 Low $V_{SENSE}$ Case 1: $V_{SENSE} < 20$ mV, $-16$ V $\leq V_{CM} < 0$ ; and Low $V_{SENSE}$ Case 3: $V_{SENSE} < 20$ mV, $V_S < V_{CM} \leq 80$ V

Although the INA270A-Q1 family of devices are not designed for accurate operation in either of these regions, some applications are exposed to these conditions. For example, when monitoring power supplies that are switched on and off while  $V_S$  is still applied to the INA27xA-Q1 devices, it is important to know what the behavior of the devices is in these regions.

As  $V_{SENSE}$  approaches 0 mV, in these  $V_{CM}$  regions, the device output accuracy degrades. A larger-than-normal offset can appear at the current-shunt monitor output with a typical maximum value of  $V_{OUT} = 60$  mV for  $V_{SENSE} = 0$  mV. As  $V_{SENSE}$  approaches 20 mV,  $V_{OUT}$  returns to the expected output value with accuracy as specified in [Electrical Characteristics](#). [Figure 17](#) illustrates this effect using the INA271A-Q1 (Gain = 20).

## Application Information (continued)

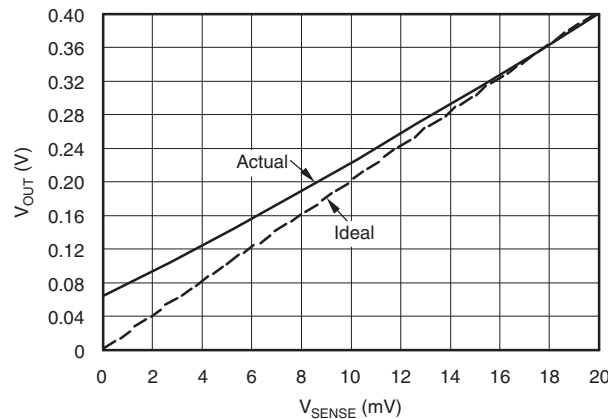


Figure 17. Example for Low  $V_{SENSE}$  Cases 1 and 3 (INA271A-Q1, Gain = 20)

### 9.1.3.3 Low $V_{SENSE}$ Case 2: $V_{SENSE} < 20$ mV, $0 \text{ V} \leq V_{CM} \leq V_S$

This region of operation is the least accurate for the INA27xA-Q1 family. To achieve the wide input common-mode voltage range, these devices use two operational amplifier (op amp) front ends in parallel. One op amp front end operates in the positive input common-mode voltage range, and the other in the negative input region. For this case, neither of these two internal amplifiers dominates and overall loop gain is very low. Within this region,  $V_{OUT}$  approaches voltages close to linear operation levels for Normal Case 2.

This deviation from linear operation becomes greatest the closer  $V_{SENSE}$  approaches 0 V. Within this region, as  $V_{SENSE}$  approaches 20 mV, device operation is closer to that described by Normal Case 2. Figure 18 illustrates this behavior for the INA271A-Q1. The  $V_{OUT}$  maximum peak for this case is determined by maintaining a constant  $V_S$ , setting  $V_{SENSE} = 0$  mV and sweeping  $V_{CM}$  from 0 V to  $V_S$ . The exact  $V_{CM}$  at which  $V_{OUT}$  peaks during this case varies from part to part. The maximum peak voltage for the INA270A-Q1 is 0.28 V; for the INA271A-Q1, the maximum peak voltage is 0.4 V.

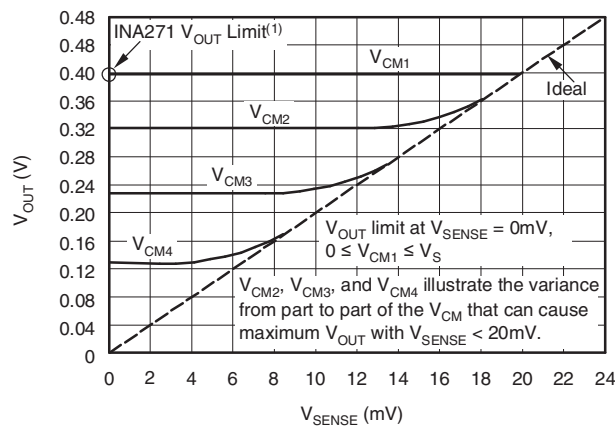


Figure 18. Example for Low  $V_{SENSE}$  Case 2 (INA271A-Q1, Gain = 20)

### 9.1.4 Transient Protection

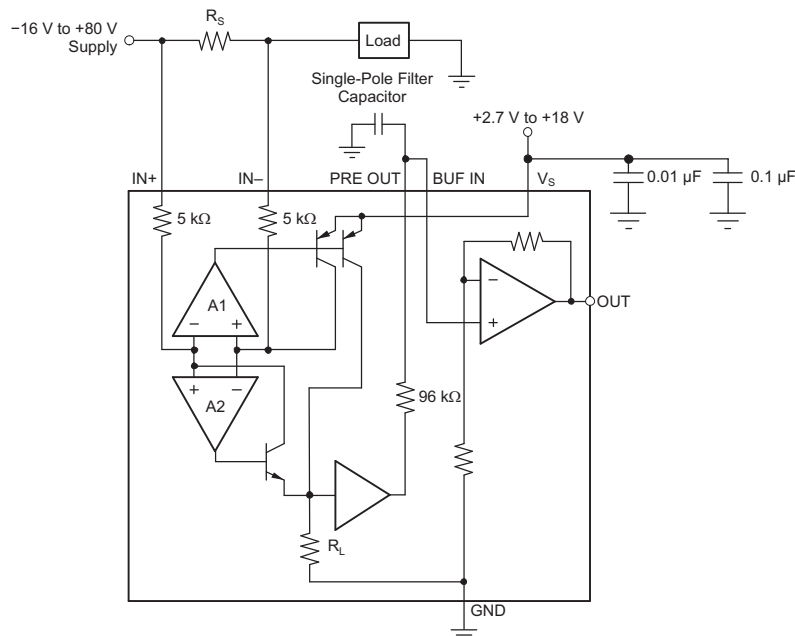
The  $-16$ -V to  $80$ -V common-mode range of the INA27xA-Q1 is ideal for withstanding automotive fault conditions ranging from  $12$ -V battery reversal up to  $80$ -V transients, since no additional protective components are needed up to those levels. In the event that the INA27xA-Q1 devices are exposed to transients on the inputs in excess of their ratings, external transient absorption with semiconductor transient absorbers (zeners or Transzorb) are necessary.

## Application Information (continued)

Use of MOVs or VDRs is not recommended except when they are used in addition to a semiconductor transient absorber. Select the transient absorber such that it never allows the INA27xA-Q1 to be exposed to transients greater than 80 V (that is, allow for transient absorber tolerance, as well as additional voltage because of transient absorber dynamic impedance).

Despite the use of internal zener-type ESD protection, the INA27xA-Q1 devices are not suited to using external resistors in series with the inputs, since the internal gain resistors can vary up to  $\pm 30\%$ , but the internal resistors are tightly matched. If gain accuracy is not important, then resistors can be added in series with the INA27xA-Q1 inputs, with two equal resistors on each input.

## 9.2 Typical Application



Copyright © 2016, Texas Instruments Incorporated

**Figure 19. Filtering Configuration**

### 9.2.1 Design Requirements

In this application, the device is configured to measure a triangular periodic current at 10 kHz with filtering. The average current through the shunt is the information that is desired. This current can be either solenoid current or inductor current where current is being pulsed through.

Selecting the capacitor size is based on the lowest frequency component to be filtered out. The amount of signal that is filtered out is dependant on this cutoff frequency. From the cutoff frequency, the attention is 20 dB per decade.

### 9.2.2 Detailed Design Procedure

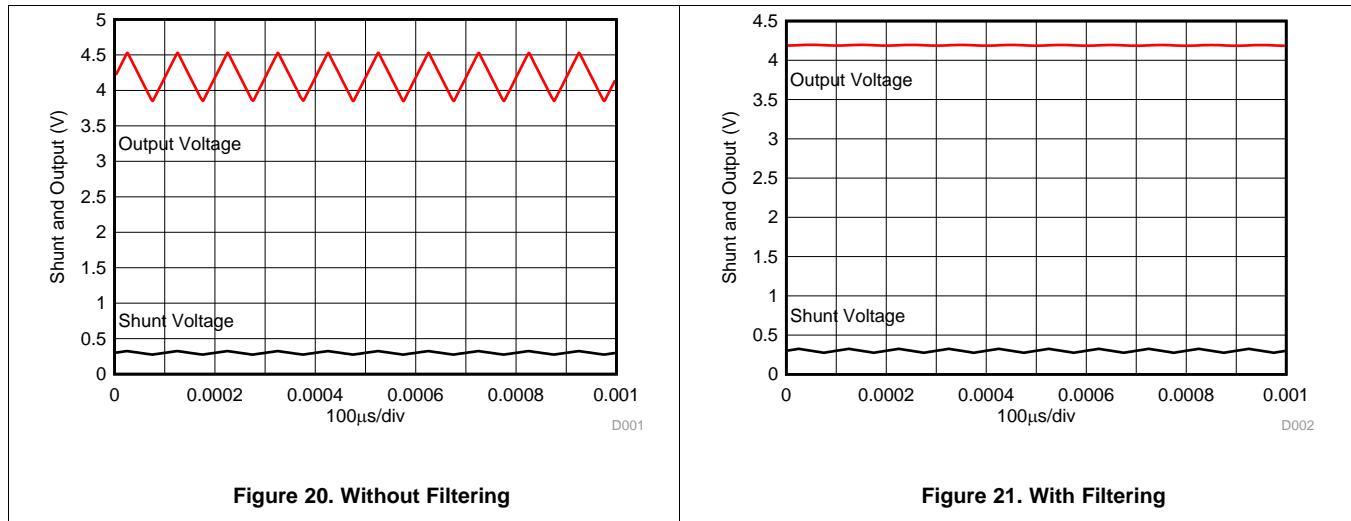
Without this filtering capability, an input filter must be used. When series resistance is added to the input, large errors also come into play because the resistance must be large to create a low cutoff frequency. By using a 10-nF capacitor for the single-pole filter capacitor, the 10-kHz signal is averaged. The cutoff frequency made by the capacitor is set at 166 Hz frequency. This frequency is well below the periodic frequency and reduces the ripple on the output and the average current can easily be measured.

## Typical Application (continued)

### 9.2.3 Application Curves

Figure 20 shows the output waveform without filtering. The output signal tracks the input signal with a large ripple. If this current is sampled by an ADC, many samples must be taken to average the current digitally. This process takes additional time to sample and average and is very time consuming, thus is unwanted for this application.

Figure 21 shows the output waveform with filtering. The output signal is filtered and the average can easily be measured with a small ripple. If this current is sampled by an ADC, only a few samples must be taken to average. Digital averaging is now not required and the time required is significantly reduced.



## 10 Power Supply Recommendations

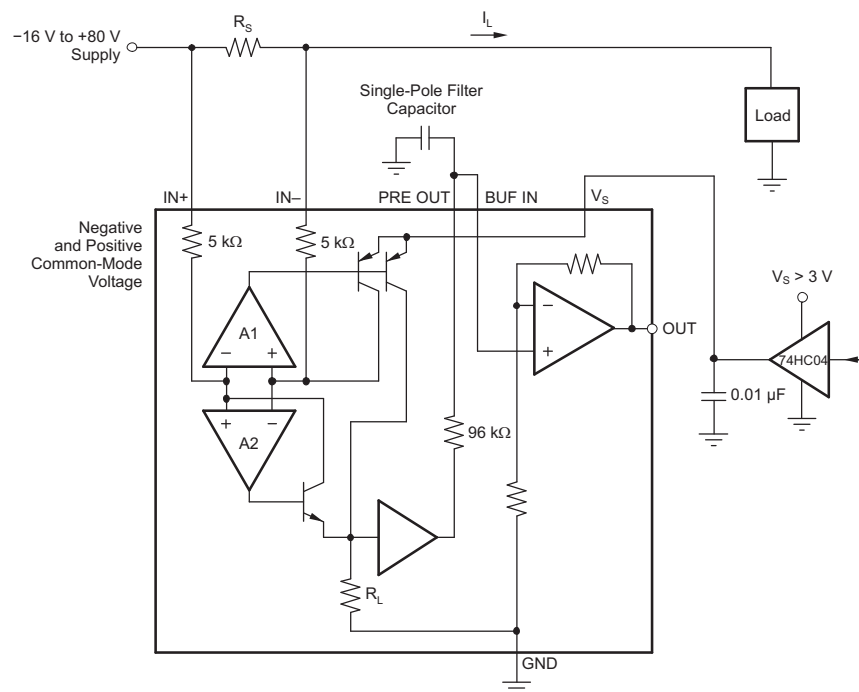
The input circuitry of the INA27xA-Q1 can accurately measure beyond its power-supply voltage,  $V_S$ . For example, the  $V_S$  power supply can be 5 V, whereas the load power-supply voltage is up to 80 V. The output voltage range of the OUT terminal, however, is limited by the voltages on the power-supply pin.

### 10.1 Shutdown

The INA27xA-Q1 devices do not provide a shutdown pin; however, because they consume a quiescent current less than 1 mA, they can be powered by either the output of logic gates or by transistor switches to supply power. Driving the gate low shuts down the INA27xA-Q1. Use a totem-pole output buffer or gate that can provide sufficient drive along with 0.1- $\mu\text{F}$  bypass capacitor, preferably ceramic with good high-frequency characteristics. This gate should have a supply voltage of 3 V or greater, because the INA27xA-Q1 requires a minimum supply greater than 2.7 V. In addition to eliminating quiescent current, this gate also turns off the 10- $\mu\text{A}$  bias current present at each of the inputs.

#### NOTE

The IN+ and IN– inputs are able to withstand full common-mode voltage under all powered and under-powered conditions. [Figure 22](#) shows an example of the shutdown circuit.



Copyright © 2016, Texas Instruments Incorporated

**Figure 22. INA27xA-Q1 Example Shutdown Circuit Schematic**



## 11 Layout

### 11.1 Layout Guidelines

- Connect the input pins to the sensing resistor using a Kelvin or 4-wire connection. This connection technique ensures that only the current-sensing resistor impedance is detected between the input pins. Poor routing of the current-sensing resistor commonly results in additional resistance present between the input pins. Given the very low ohmic value of the current resistor, any additional high-current carrying impedance can cause significant measurement errors.
- Place the power-supply bypass capacitor as closely as possible to the supply and ground pins. The recommended value of this bypass capacitor is 0.1  $\mu\text{F}$ . Additional decoupling capacitance can be added to compensate for noisy or high-impedance power supplies.

#### 11.1.1 RFI and EMI

Attention to good layout practices is always recommended. Keep traces short and, when possible, use a printed circuit board (PCB) ground plane with surface-mount components placed as close to the device pins as possible. Small ceramic capacitors placed directly across amplifier inputs can reduce RFI and EMI sensitivity. PCB layout should locate the amplifier as far away as possible from RFI sources. Sources can include other components in the same system as the amplifier itself, such as inductors (particularly switched inductors handling a lot of current and at high frequencies). RFI can generally be identified as a variation in offset voltage or dc signal levels with changes in the interfering RF signal. If the amplifier cannot be located away from sources of radiation, shielding may be needed. Twisting wire input leads makes them more resistant to RF fields. The difference in input pin location of the INA27xA-Q1 versus the INA193 through INA198 may provide different EMI performance.

### 11.2 Layout Example

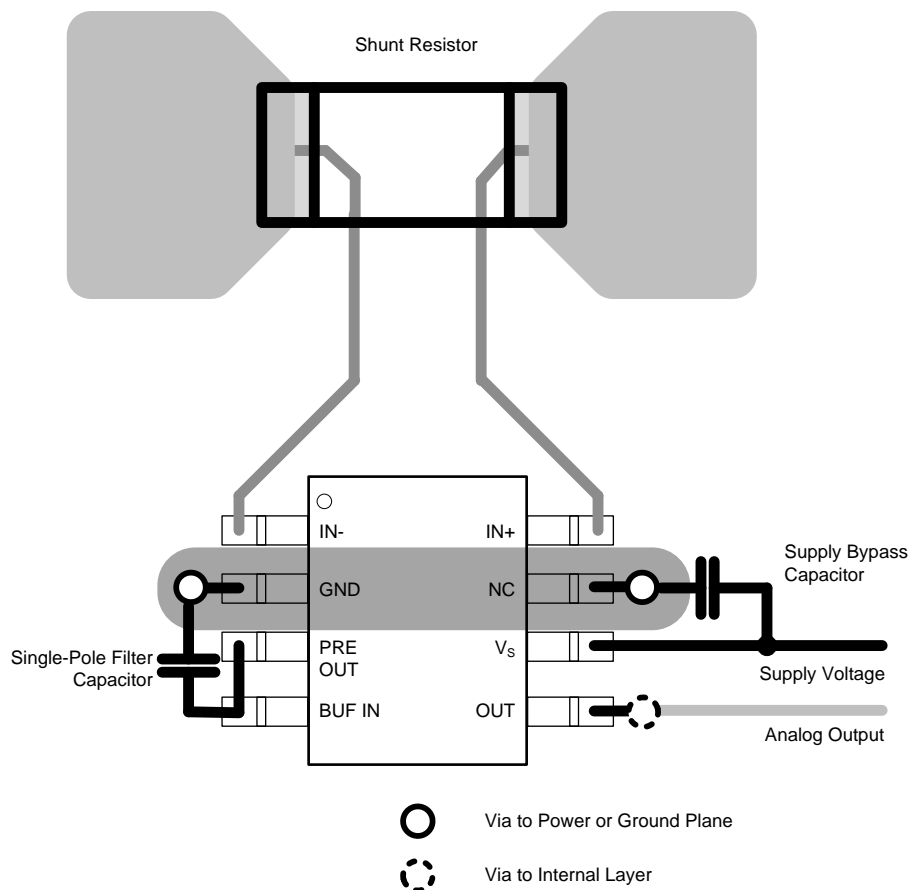


Figure 23. INA27xA-Q1 Example Layout

## 12 Device and Documentation Support

### 12.1 Related Links

The table below lists quick access links. Categories include technical documents, support and community resources, tools and software, and quick access to sample or buy.

**Table 1. Related Links**

PARTS	PRODUCT FOLDER	SAMPLE & BUY	TECHNICAL DOCUMENTS	TOOLS & SOFTWARE	SUPPORT & COMMUNITY
INA270A-Q1	<a href="#">Click here</a>	<a href="#">Click here</a>	<a href="#">Click here</a>	<a href="#">Click here</a>	<a href="#">Click here</a>
INA271A-Q1	<a href="#">Click here</a>	<a href="#">Click here</a>	<a href="#">Click here</a>	<a href="#">Click here</a>	<a href="#">Click here</a>

### 12.2 Community Resources

The following links connect to TI community resources. Linked contents are provided "AS IS" by the respective contributors. They do not constitute TI specifications and do not necessarily reflect TI's views; see TI's [Terms of Use](#).

**TI E2E™ Online Community** *TI's Engineer-to-Engineer (E2E) Community*. Created to foster collaboration among engineers. At [e2e.ti.com](http://e2e.ti.com), you can ask questions, share knowledge, explore ideas and help solve problems with fellow engineers.

**Design Support** *TI's Design Support* Quickly find helpful E2E forums along with design support tools and contact information for technical support.

### 12.3 Trademarks

E2E is a trademark of Texas Instruments.  
All other trademarks are the property of their respective owners.

### 12.4 Electrostatic Discharge Caution



These devices have limited built-in ESD protection. The leads should be shorted together or the device placed in conductive foam during storage or handling to prevent electrostatic damage to the MOS gates.

### 12.5 Glossary

[SLYZ022](#) — *TI Glossary*.

This glossary lists and explains terms, acronyms, and definitions.

## 13 Mechanical, Packaging, and Orderable Information

The following pages include mechanical, packaging, and orderable information. This information is the most current data available for the designated devices. This data is subject to change without notice and revision of this document. For browser-based versions of this data sheet, refer to the left-hand navigation.

**PACKAGING INFORMATION**

Orderable Device	Status (1)	Package Type	Package Drawing	Pins	Package Qty	Eco Plan (2)	Lead/Ball Finish (6)	MSL Peak Temp (3)	Op Temp (°C)	Device Marking (4/5)	Samples
INA270AQDRQ1	ACTIVE	SOIC	D	8	2500	Green (RoHS & no Sb/Br)	CU NIPDAU	Level-2-260C-1 YEAR	-40 to 125	INA270	<a href="#">Samples</a>
INA271AQDRQ1	ACTIVE	SOIC	D	8	2500	Green (RoHS & no Sb/Br)	CU NIPDAU	Level-2-260C-1 YEAR	-40 to 125	INA271	<a href="#">Samples</a>

(1) The marketing status values are defined as follows:

**ACTIVE:** Product device recommended for new designs.

**LIFEBUY:** TI has announced that the device will be discontinued, and a lifetime-buy period is in effect.

**NRND:** Not recommended for new designs. Device is in production to support existing customers, but TI does not recommend using this part in a new design.

**PREVIEW:** Device has been announced but is not in production. Samples may or may not be available.

**OBSOLETE:** TI has discontinued the production of the device.

(2) Eco Plan - The planned eco-friendly classification: Pb-Free (RoHS), Pb-Free (RoHS Exempt), or Green (RoHS & no Sb/Br) - please check <http://www.ti.com/productcontent> for the latest availability information and additional product content details.

**TBD:** The Pb-Free/Green conversion plan has not been defined.

**Pb-Free (RoHS):** TI's terms "Lead-Free" or "Pb-Free" mean semiconductor products that are compatible with the current RoHS requirements for all 6 substances, including the requirement that lead not exceed 0.1% by weight in homogeneous materials. Where designed to be soldered at high temperatures, TI Pb-Free products are suitable for use in specified lead-free processes.

**Pb-Free (RoHS Exempt):** This component has a RoHS exemption for either 1) lead-based flip-chip solder bumps used between the die and package, or 2) lead-based die adhesive used between the die and leadframe. The component is otherwise considered Pb-Free (RoHS compatible) as defined above.

**Green (RoHS & no Sb/Br):** TI defines "Green" to mean Pb-Free (RoHS compatible), and free of Bromine (Br) and Antimony (Sb) based flame retardants (Br or Sb do not exceed 0.1% by weight in homogeneous material)

(3) MSL, Peak Temp. - The Moisture Sensitivity Level rating according to the JEDEC industry standard classifications, and peak solder temperature.

(4) There may be additional marking, which relates to the logo, the lot trace code information, or the environmental category on the device.

(5) Multiple Device Markings will be inside parentheses. Only one Device Marking contained in parentheses and separated by a "~" will appear on a device. If a line is indented then it is a continuation of the previous line and the two combined represent the entire Device Marking for that device.

(6) Lead/Ball Finish - Orderable Devices may have multiple material finish options. Finish options are separated by a vertical ruled line. Lead/Ball Finish values may wrap to two lines if the finish value exceeds the maximum column width.

**Important Information and Disclaimer:** The information provided on this page represents TI's knowledge and belief as of the date that it is provided. TI bases its knowledge and belief on information provided by third parties, and makes no representation or warranty as to the accuracy of such information. Efforts are underway to better integrate information from third parties. TI has taken and continues to take reasonable steps to provide representative and accurate information but may not have conducted destructive testing or chemical analysis on incoming materials and chemicals. TI and TI suppliers consider certain information to be proprietary, and thus CAS numbers and other limited information may not be available for release.

In no event shall TI's liability arising out of such information exceed the total purchase price of the TI part(s) at issue in this document sold by TI to Customer on an annual basis.

D (R-PDSO-G8)

PLASTIC SMALL OUTLINE



4040047-3/M 06/11

- NOTES:
- A. All linear dimensions are in inches (millimeters).
  - B. This drawing is subject to change without notice.
  - $\triangle C$  Body length does not include mold flash, protrusions, or gate burrs. Mold flash, protrusions, or gate burrs shall not exceed 0.006 (0,15) each side.
  - $\triangle D$  Body width does not include interlead flash. Interlead flash shall not exceed 0.017 (0,43) each side.
  - E. Reference JEDEC MS-012 variation AA.

D (R-PDSO-G8)

PLASTIC SMALL OUTLINE



- NOTES:
- All linear dimensions are in millimeters.
  - This drawing is subject to change without notice.
  - Publication IPC-7351 is recommended for alternate designs.
  - Laser cutting apertures with trapezoidal walls and also rounding corners will offer better paste release. Customers should contact their board assembly site for stencil design recommendations. Refer to IPC-7525 for other stencil recommendations.
  - Customers should contact their board fabrication site for solder mask tolerances between and around signal pads.

## IMPORTANT NOTICE

Texas Instruments Incorporated and its subsidiaries (TI) reserve the right to make corrections, enhancements, improvements and other changes to its semiconductor products and services per JESD46, latest issue, and to discontinue any product or service per JESD48, latest issue. Buyers should obtain the latest relevant information before placing orders and should verify that such information is current and complete. All semiconductor products (also referred to herein as "components") are sold subject to TI's terms and conditions of sale supplied at the time of order acknowledgment.

TI warrants performance of its components to the specifications applicable at the time of sale, in accordance with the warranty in TI's terms and conditions of sale of semiconductor products. Testing and other quality control techniques are used to the extent TI deems necessary to support this warranty. Except where mandated by applicable law, testing of all parameters of each component is not necessarily performed.

TI assumes no liability for applications assistance or the design of Buyers' products. Buyers are responsible for their products and applications using TI components. To minimize the risks associated with Buyers' products and applications, Buyers should provide adequate design and operating safeguards.

TI does not warrant or represent that any license, either express or implied, is granted under any patent right, copyright, mask work right, or other intellectual property right relating to any combination, machine, or process in which TI components or services are used. Information published by TI regarding third-party products or services does not constitute a license to use such products or services or a warranty or endorsement thereof. Use of such information may require a license from a third party under the patents or other intellectual property of the third party, or a license from TI under the patents or other intellectual property of TI.

Reproduction of significant portions of TI information in TI data books or data sheets is permissible only if reproduction is without alteration and is accompanied by all associated warranties, conditions, limitations, and notices. TI is not responsible or liable for such altered documentation. Information of third parties may be subject to additional restrictions.

Resale of TI components or services with statements different from or beyond the parameters stated by TI for that component or service voids all express and any implied warranties for the associated TI component or service and is an unfair and deceptive business practice. TI is not responsible or liable for any such statements.

Buyer acknowledges and agrees that it is solely responsible for compliance with all legal, regulatory and safety-related requirements concerning its products, and any use of TI components in its applications, notwithstanding any applications-related information or support that may be provided by TI. Buyer represents and agrees that it has all the necessary expertise to create and implement safeguards which anticipate dangerous consequences of failures, monitor failures and their consequences, lessen the likelihood of failures that might cause harm and take appropriate remedial actions. Buyer will fully indemnify TI and its representatives against any damages arising out of the use of any TI components in safety-critical applications.

In some cases, TI components may be promoted specifically to facilitate safety-related applications. With such components, TI's goal is to help enable customers to design and create their own end-product solutions that meet applicable functional safety standards and requirements. Nonetheless, such components are subject to these terms.

No TI components are authorized for use in FDA Class III (or similar life-critical medical equipment) unless authorized officers of the parties have executed a special agreement specifically governing such use.

Only those TI components which TI has specifically designated as military grade or "enhanced plastic" are designed and intended for use in military/aerospace applications or environments. Buyer acknowledges and agrees that any military or aerospace use of TI components which have **not** been so designated is solely at the Buyer's risk, and that Buyer is solely responsible for compliance with all legal and regulatory requirements in connection with such use.

TI has specifically designated certain components as meeting ISO/TS16949 requirements, mainly for automotive use. In any case of use of non-designated products, TI will not be responsible for any failure to meet ISO/TS16949.

### Products

Audio	<a href="http://www.ti.com/audio">www.ti.com/audio</a>
Amplifiers	<a href="http://amplifier.ti.com">amplifier.ti.com</a>
Data Converters	<a href="http://dataconverter.ti.com">dataconverter.ti.com</a>
DLP® Products	<a href="http://www.dlp.com">www.dlp.com</a>
DSP	<a href="http://dsp.ti.com">dsp.ti.com</a>
Clocks and Timers	<a href="http://www.ti.com/clocks">www.ti.com/clocks</a>
Interface	<a href="http://interface.ti.com">interface.ti.com</a>
Logic	<a href="http://logic.ti.com">logic.ti.com</a>
Power Mgmt	<a href="http://power.ti.com">power.ti.com</a>
Microcontrollers	<a href="http://microcontroller.ti.com">microcontroller.ti.com</a>
RFID	<a href="http://www.ti-rfid.com">www.ti-rfid.com</a>
OMAP Applications Processors	<a href="http://www.ti.com/omap">www.ti.com/omap</a>
Wireless Connectivity	<a href="http://www.ti.com/wirelessconnectivity">www.ti.com/wirelessconnectivity</a>

### Applications

Automotive and Transportation	<a href="http://www.ti.com/automotive">www.ti.com/automotive</a>
Communications and Telecom	<a href="http://www.ti.com/communications">www.ti.com/communications</a>
Computers and Peripherals	<a href="http://www.ti.com/computers">www.ti.com/computers</a>
Consumer Electronics	<a href="http://www.ti.com/consumer-apps">www.ti.com/consumer-apps</a>
Energy and Lighting	<a href="http://www.ti.com/energy">www.ti.com/energy</a>
Industrial	<a href="http://www.ti.com/industrial">www.ti.com/industrial</a>
Medical	<a href="http://www.ti.com/medical">www.ti.com/medical</a>
Security	<a href="http://www.ti.com/security">www.ti.com/security</a>
Space, Avionics and Defense	<a href="http://www.ti.com/space-avionics-defense">www.ti.com/space-avionics-defense</a>
Video and Imaging	<a href="http://www.ti.com/video">www.ti.com/video</a>

### TI E2E Community

[e2e.ti.com](http://e2e.ti.com)