

Specifications

Insulation Resistance: 1,000MΩ min. at 500V DC
 Withstanding Voltage: 500V AC rms for 1 minute
 Contact Resistance: 100mΩ at 1mA / 20mV max.
 Voltage Rating: 250Vrms AC
 Current Rating: 0.5A
 Operating Temp. Range: -25°C to +85°C
 Coplanarity: ≤ 0.1mm
 Mating Cycles: 10,000 (office environment)

Part Number (Details)

FPS 009 - 2405 - 0

Series No.

Number of Contacts

Design No.

0 = Tape & Reel Packaging

Materials and Finish

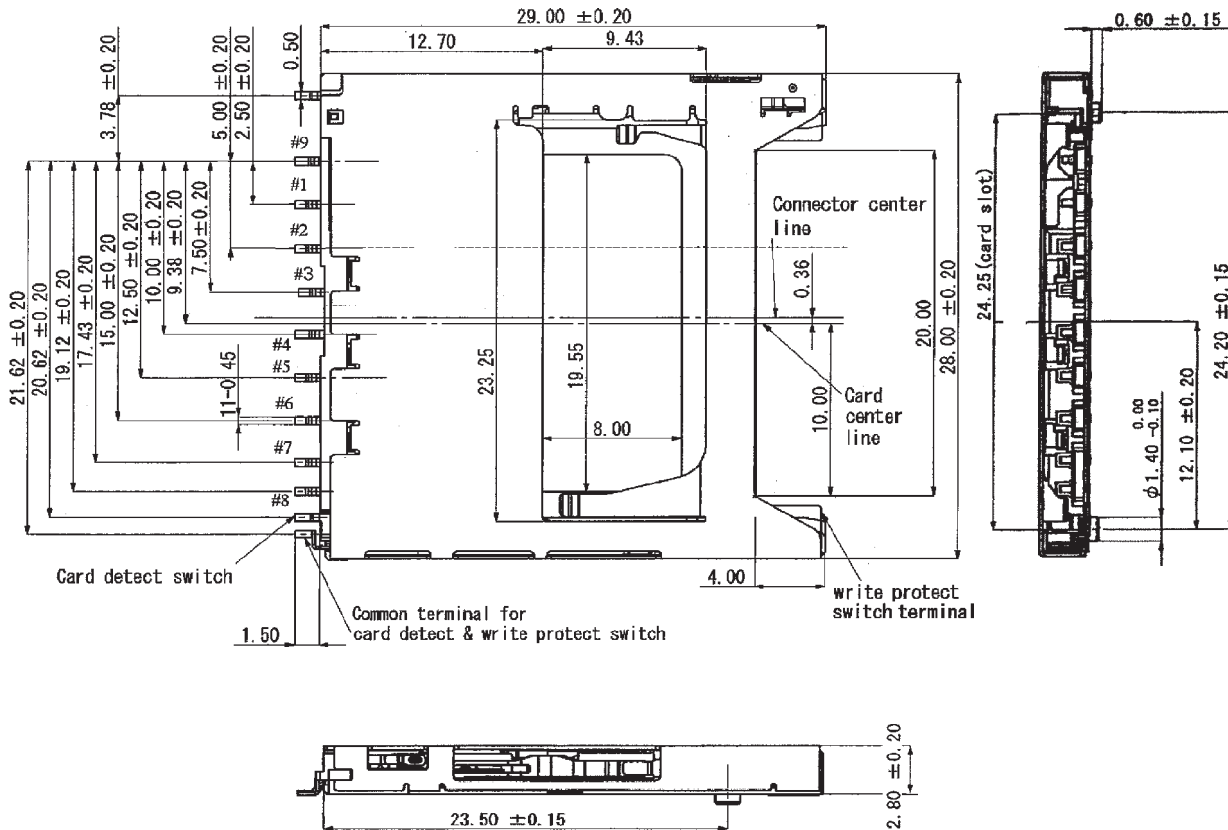
Insulator: LCP glass filled (GF 40%)
 Shielding Plate: SUS, t = 0.20
 Contacts: PB, t = 0.18 / Contact area = Ni-Au /
 Solder tail = Ni-SnCu



Features

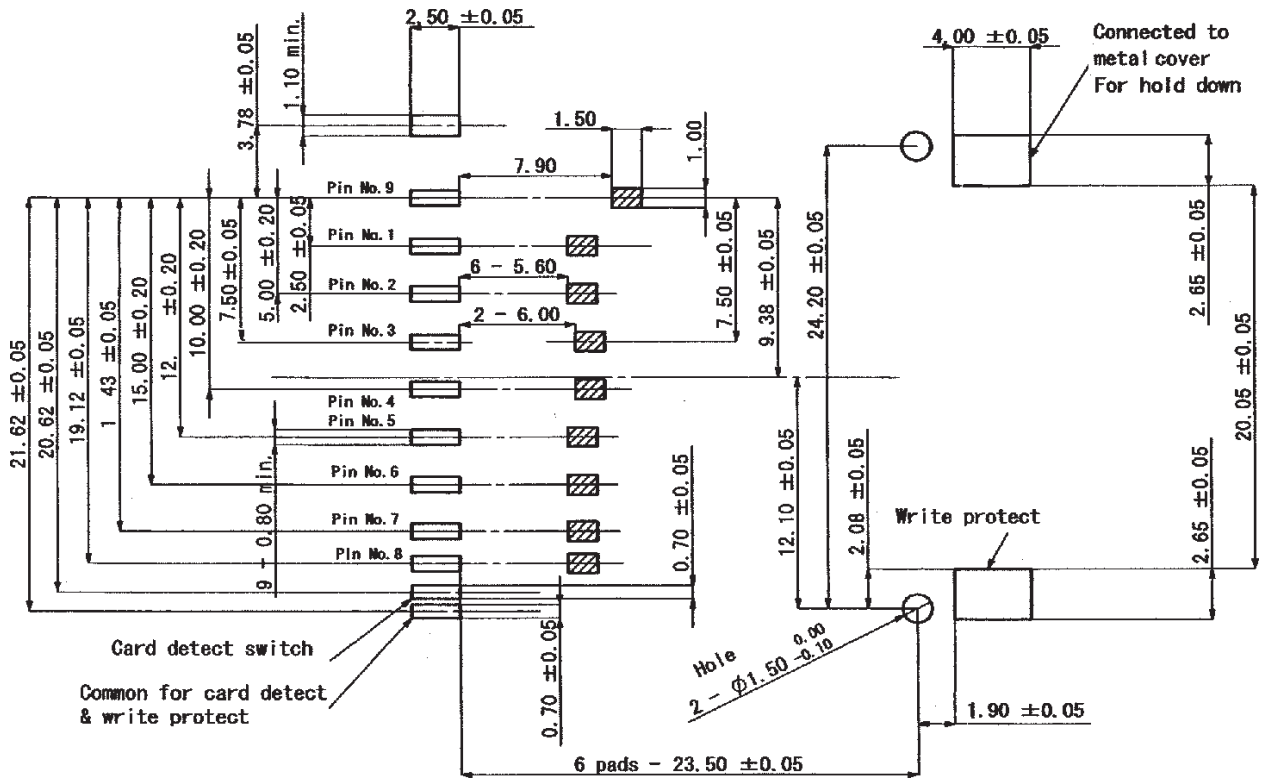
- ◇ Connector for both card types (MMC and SD card)
- ◇ Smooth extraction function by Push-in/ Push-out of card
- ◇ Soft lock mechanism for SD card
- ◇ Low profile (Ht. 2.8 x W. 28.0 x L. 30.5)
- ◇ Card detector
- ◇ Write protection switch
- ◇ Mechanism to avoid fling-off with the card
- ◇ Tape & Reel packaging (600 pcs / reel)
- ◇ New two-point contact, protection against electrical interruption

Outline Dimensions

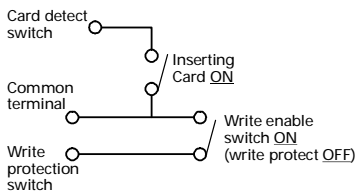


Recommended PCB Layout for FPS009-2405-0

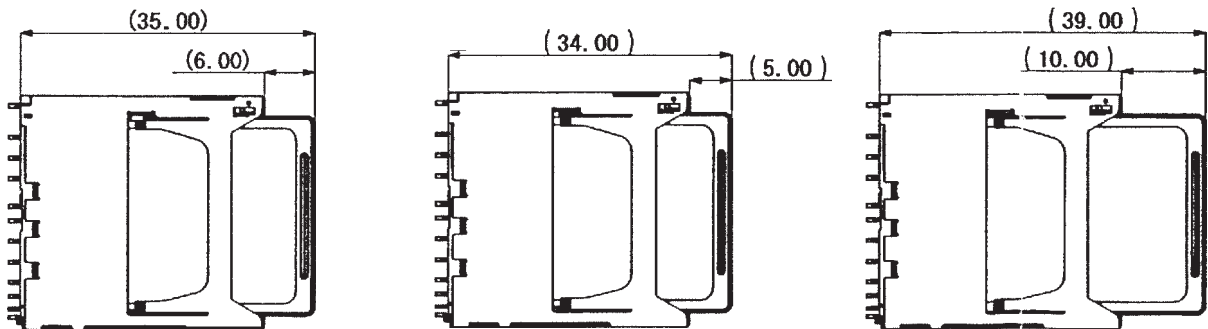
Top View



Circuit Diagram for Switch



Card Insertion Details



Card locked position

Card pushed position

Card eject position