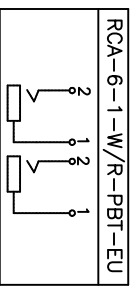
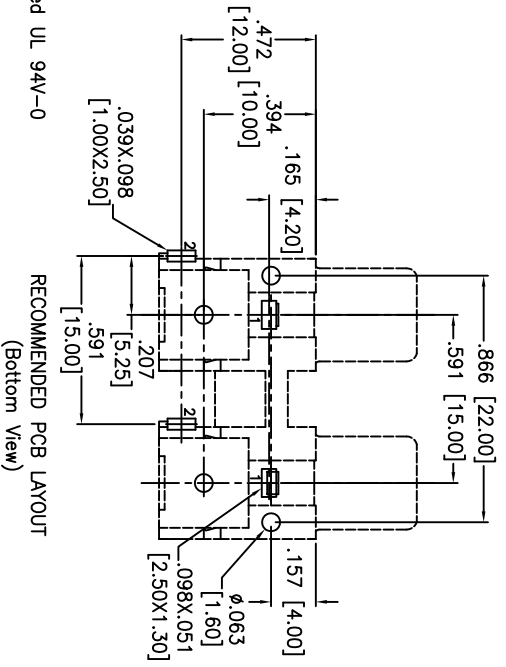
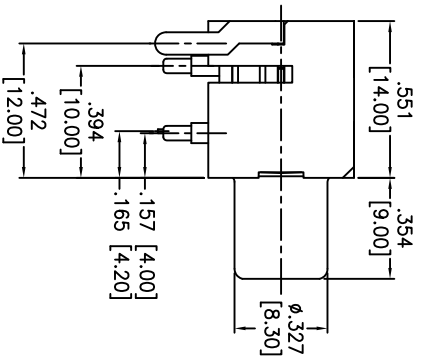
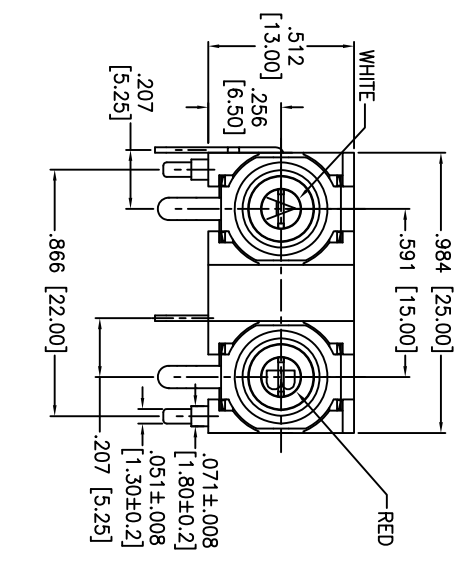


| Rev | AWO # | Description | Date | Appr |
|-----|-------|-------------|----------|------|
| - | | RELEASED | 11/03/09 | |

APPROVED: _____ TITLE: _____
 DATE: _____



JACKS A AND B CAN BE ANY COMBINATION OF AVAILABLE COLORS

RECOMMENDED PCB LAYOUT
(Bottom View)

- SPECIFICATIONS:**
- Material: PBT, glass reinforced, rated UL 94V-0
 - Insulator colors: White, Red, Brass
 - Contacts: Brass
 - Plating: Tin over Copper underplate.
 - Electrical:
 - Operation voltage: 30V DC max.
 - Current rating: 1 Amp max
 - Contact resistance: 50 mohms max.
 - Insulation resistance: 100 Mohms min
 - Dielectric withstanding voltage: 500 VAC for 1 minute
 - Temperature rating: -25°C to +80°C
 - Operating temperature: -25°C to +80°C
 - Environmental:
 - Lead free, RoHS compliant.
 - Recommended soldering temp: 235°C for 5 sec.
 - Anti-ESD plastic bags

ADAM TECH

909 Railway Avenue, Union, NJ 07083
 Phone: 908-687-5000 Fax: 908-687-5710

RCA JACK, 2 PORTS, GANGED



| | |
|--|--------|
| UNLESS OTHERWISE SPECIFIED ALL DIMENSIONS ARE INCHES [MM] | |
| TOLERANCES: EXCEPT AS NOTED | |
| INCHES | HOLDS |
| .X ± .10 | ± .10 |
| .XX ± .020 | ± .015 |
| .XXX ± .015 | ± .010 |
| APPROVALS | DATE |
| DRAWN | DY |
| CHECKED | |
| APPROVED | |

| | | | | |
|---------------------------|-------|--------------------|------|------|
| TITLE | | PART NO. | | REV. |
| RCA JACK, 2 PORTS, GANGED | | RCA-6-1-W/R-PBT-EU | | |
| SIZE | SCALE | SHEET | OF | |
| X | NTS | 1 | OF 1 | |
| REF: S00025C | | | | |