

**PLEASE CHECK WWW.MOLEX.COM FOR LATEST PART INFORMATION**

**Part Number:** [35524-0924](#)  
**Status:** **Active**  
**Description:** 1.78mm Tab Multiple Male Housing with Ear, 9 Circuits, Vertical, Polyester UL94V-0, Blue

**Documents:**

[3D Model](#) [Packaging Specification PK-35524-001 \(PDF\)](#)  
[Drawing \(PDF\)](#) [RoHS Certificate of Compliance \(PDF\)](#)  
[Product Specification PS-35524-001 \(PDF\)](#)

**Agency Certification**

UL E29179

**General**

Product Family Crimp Housings  
 Series [35524](#)  
 Application Power, Wire-to-Wire  
 Comments Polarized to Mating Part  
 Product Name N/A  
 UPC 756054284476

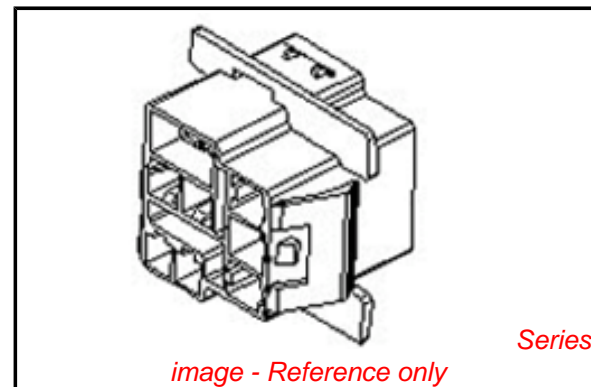
**Physical**

Breakaway No  
 Circuits (maximum) 9  
 Color - Resin Blue  
 Flammability 94V-0  
 Gender Male  
 Glow-Wire Compliant No  
 Keying to Mating Part None  
 Lock to Mating Part Yes  
 Material - Resin Polyester  
 Net Weight 11.501/g  
 Number of Rows 3  
 Packaging Type Bag  
 Panel Mount No  
 Pitch - Mating Interface 6.20mm, 7.30mm  
 Stackable No  
 Temperature Range - Operating -40°C to +120°C

**Material Info**

**Reference - Drawing Numbers**

Packaging Specification PK-35524-001  
 Product Specification PS-35524-001  
 Sales Drawing SD-35524-001



*image - Reference only*

**EU RoHS**

**ELV and RoHS Compliant**  
**REACH SVHC Contains SVHC: No**  
**Low-Halogen Status Not Low-Halogen**

**China RoHS**



**Need more information on product environmental compliance?**

Email [productcompliance@molex.com](mailto:productcompliance@molex.com)  
 For a multiple part number RoHS Certificate of Compliance, [click here](#)

Please visit the [Contact Us](#) section for any non-product compliance questions.

**Search Parts in this Series**

[35524Series](#)

**Mates With**

[35151](#) VersaBlade™ Hybrid Plug Housing,  
[35525](#) Tab Female Housing

**Use With**

[35151](#) VersaBlade™ Hybrid Plug Housing.  
[35525](#) Tab Female Housing