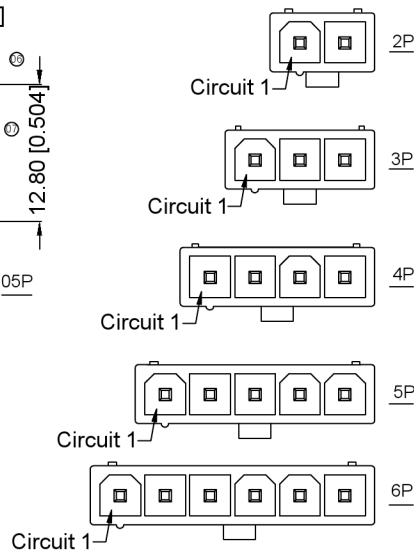
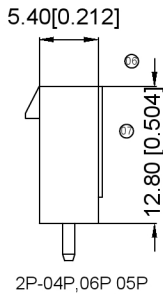
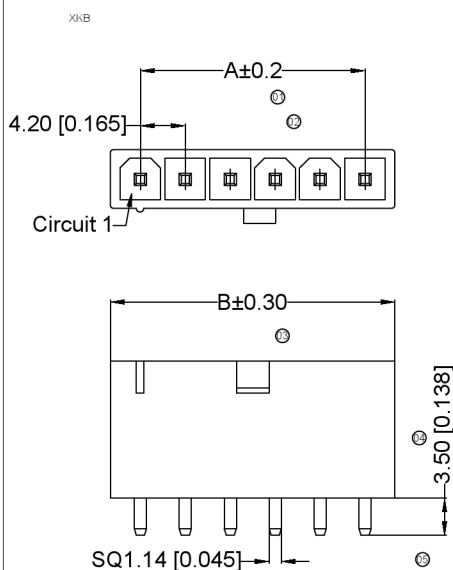


XKB



Specifications:

规格: **XKB**
 Voltage rating:600V AC/DC
 额定电压: 300V AC/DC
 Current rating:9A AC/DC
 额定电流: 9A AC/DC
 Withstanding voltage:1500V AC/minute
 耐受电压: 1500V AC/分钟
 Temperature range:-25℃+85℃
 温度范围: -25℃+85℃
 Insulation resistance:≥1000MΩ
 绝缘电阻: ≥1000MΩ
 Contact resistance:≤10mΩ
 接触电阻: ≤10mΩ XKB
 After environmental testing:≤20mΩ
 环境测试后: ≤20mΩ

X9357 W V X-XX X-XX SN XX

- 01 Series No.
- 02 Category:W-wafer
- 03 Welding Board Angle: V-180°
- 04 Welding Way: Blank-DIP;
- 05 Row No.-Pin No.: XX-Single row
- 06 Special NO.HF-Halogen free
Material:NO-PA66 94V-0;
N2-PA66 94V-2
- 08 Planting Category:
V01:All Gold Flash;
SN-Bright tin plating
- 09 Color:Blank-natural color ;
BK-Black

SQ1.14 [0.045]

Ø1.80±0.05

Poles	Dimensions(mm)	
	A	B
02	4.20	9.60
03	8.40	13.80
04	12.60	18.00
05	16.80	22.20
06	21.00	26.40

X9357WW-XXHF-N2SN	Nylon 66 UL 94V-2	Brass	Tin-Plated	X9357H
X9357WW-XX-N0V01	Nylon 66 UL 94V-0		Gold-Flash	
X9357WW-XX-N0SN	Nylon 66 UL 94V-0		Tin-Plated	
X9357WW-XX-N2V01	Nylon 66 UL 94V-2		Gold-Flash	
X9357WW-XX-N2SN	Nylon 66 UL 94V-2		Tin-Plated	
PART NO	Material		Material(Pin)	

广东星坤科技股份有限公司
 生 日期
 文件工程章
 REVISIONS
 www.heloxkb.com

XKB	DSND	DATE	SCALE: N/A	MODEL TYPE: X9357WW-XX-XSNN
ANGLAR ±5°	DWNN	DATE	VIEW: ①	PART NO.: 2.40mm Crimp Style Connectors
L ≤ 4 ±0.2	CHKD	DATE	UNIT: mm/mn	DWG NO.:
4 < L ≤ 16 ±0.3	APPD	DATE	SIZE: A4	
16 < L ≤ 63 ±0.4				WEIGHT 1.0g
L > 63 ±0.5				SHEET 1/1
UNSPECIFIED TOLERANCES	XKB INDUSTRIAL PRECISION CO.,LIMITED			REVISION A0