

TOKEN RING MAGNETICS

Filter Modules



LM00601

- Designed to meet IEEE 802.5 Token Ring standards, including low cut off frequency
- Rated to 225° C peak IR reflow temperature
- Operating temperature 0° to 70° C
- STP/UTP compatible impedances
- Integrated transformers and common mode chokes
- Support TI and Microlinear transceiver ICs
- Minimum interwinding breakdown voltage of 500 Vrms

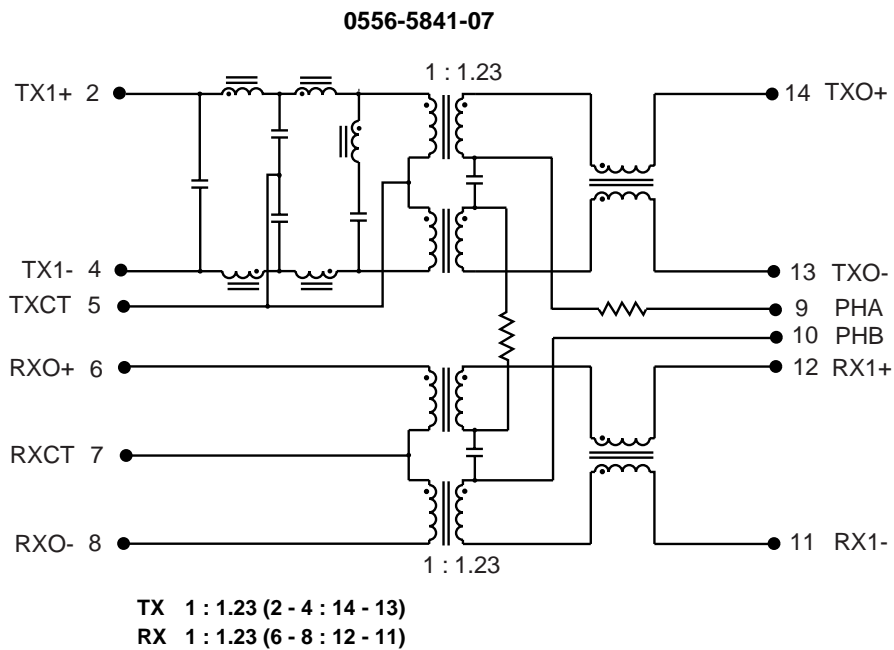
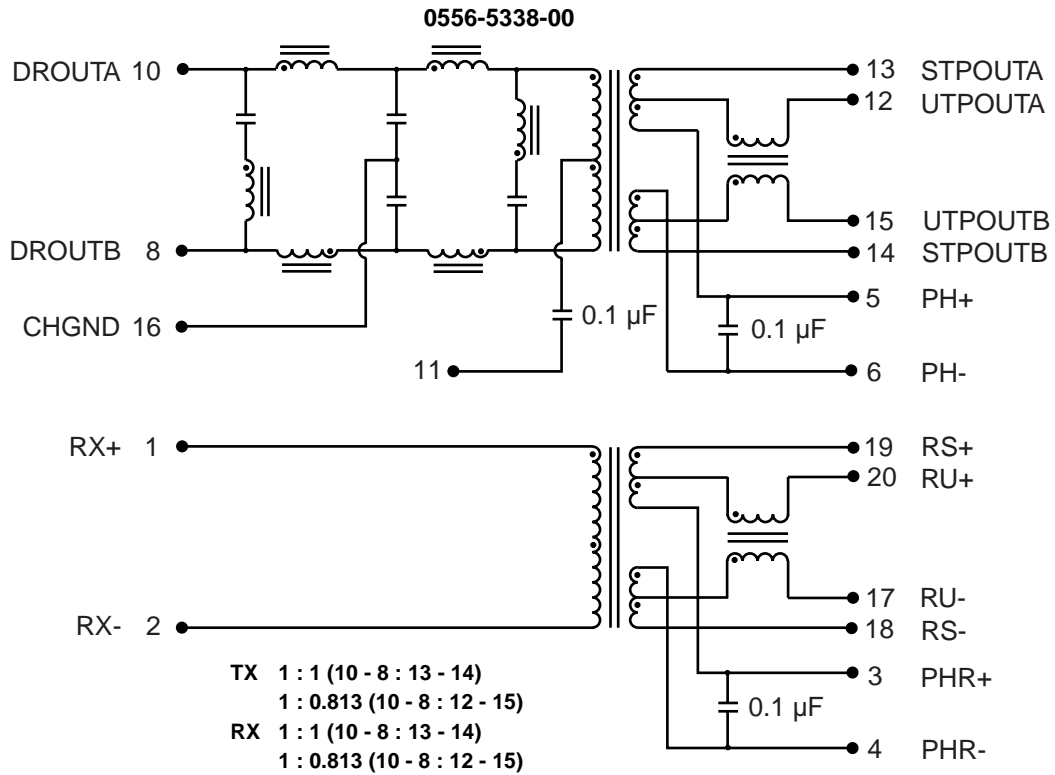
ELECTRICAL SPECIFICATIONS AT 25° C

Part Number		Insertion Loss dB max			Return Loss dB min		Common to Common Mode Rejection dB min				Crosstalk dB min		
		8MHz	16MHz	24MHz	1MHz to 17MHz	17MHz to 24MHz	5MHz	20MHz	70MHz	200MHz	4MHz	16MHz	25MHz
0556-5338-00	TX	-0.6	-0.8	-1.9	-12	-20	-45	-30	-30	-20	-50	-40	-38
	RX	-0.5	-0.5	---	-8	-17							
0556-5841-07	TX	-0.6	-0.8	-1.9	-12	-20	-45	-30	-30	-20	-50	-40	-38
	RX	-0.5	-0.5	---	-8	-17							
S556-5999-51	TX	-0.6	-1.0	-1.8	-16	-17	-30	-30	-30	-20	-50	-50	-46
	RX	-1.0	-1.0	-1.0	-9	-17							
0556-5841-06	TX	-0.6	-0.8	-1.9	-12	-20	-45	-30	-30	-20	-50	-40	-38
	RX	-0.5	-0.5	---	-8	-17							
0556-5841-02	TX	-0.6	-0.8	-1.9	-12	-20	---	---	---	---	-50	-40	-38
	RX	-0.5	-0.5	---	-8	-17							

TOKEN RING MAGNETICS Filter Modules

LM00601

SCHEMATICS



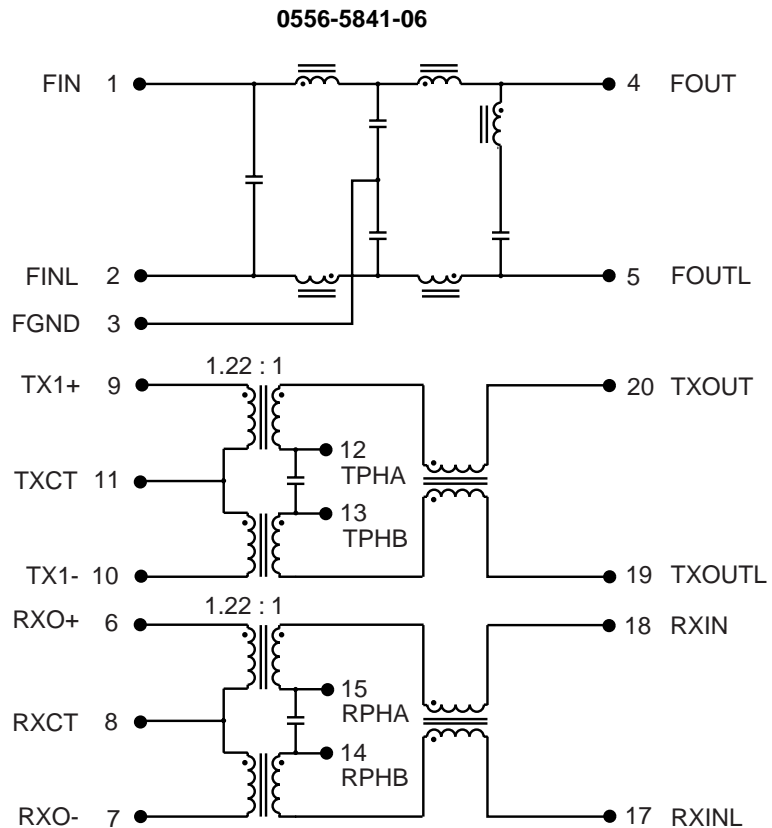
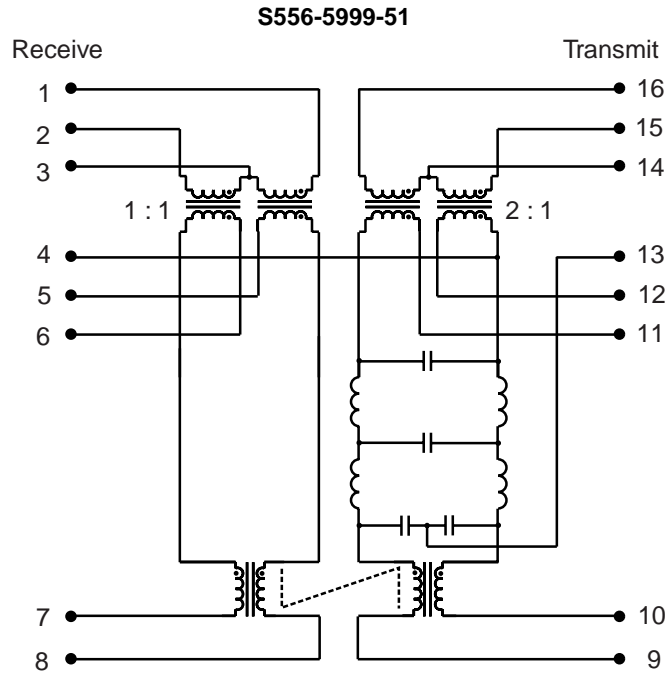
TOKEN RING MAGNETICS

Filter Modules



LM00601

SCHEMATICS

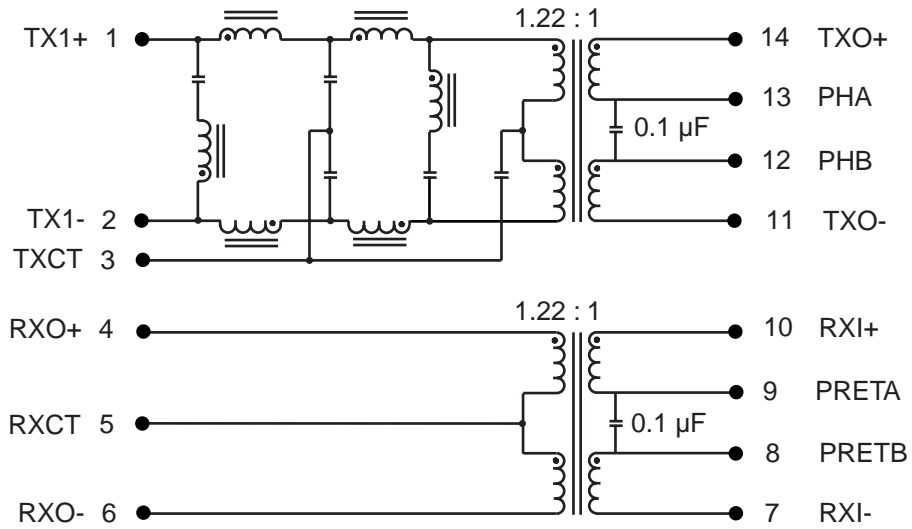


©2000 Bel Fuse Inc. Specifications subject to change without notice. 01.00

TOKEN RING MAGNETICS Filter Modules

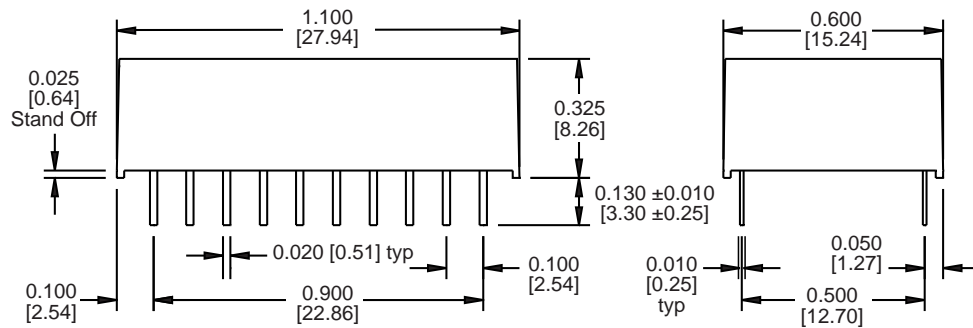
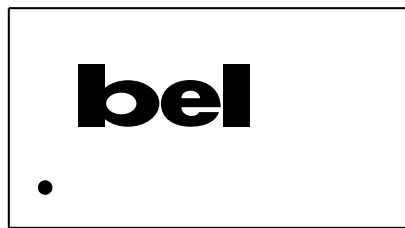
SCHEMATICS

0556-5841-02



MECHANICALS

0556-5338-00



Dimensions are in inches [millimeters].
Standard dimension tolerance is ± 0.005 [0.13] unless otherwise noted.

TOKEN RING MAGNETICS

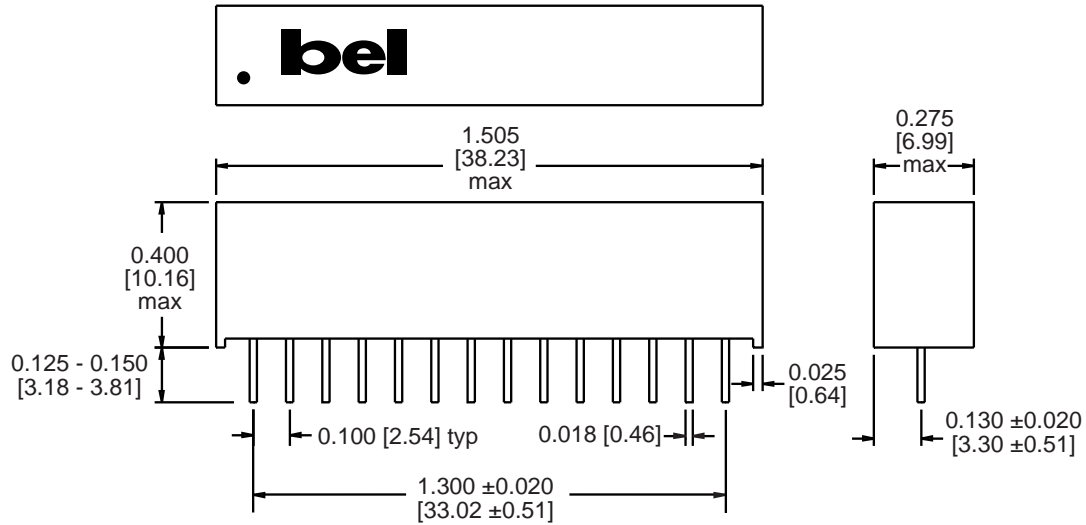
Filter Modules



LM00601

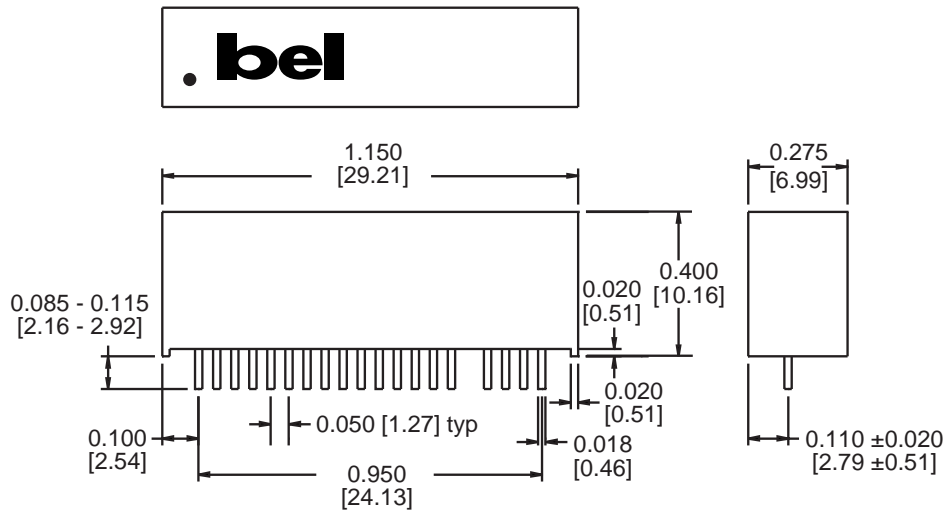
MECHANICALS

0556-5841-02
0556-5841-07



Dimensions are in inches [millimeters].
Standard dimension tolerance is ± 0.005 [0.13] unless otherwise noted.

0556-5841-06

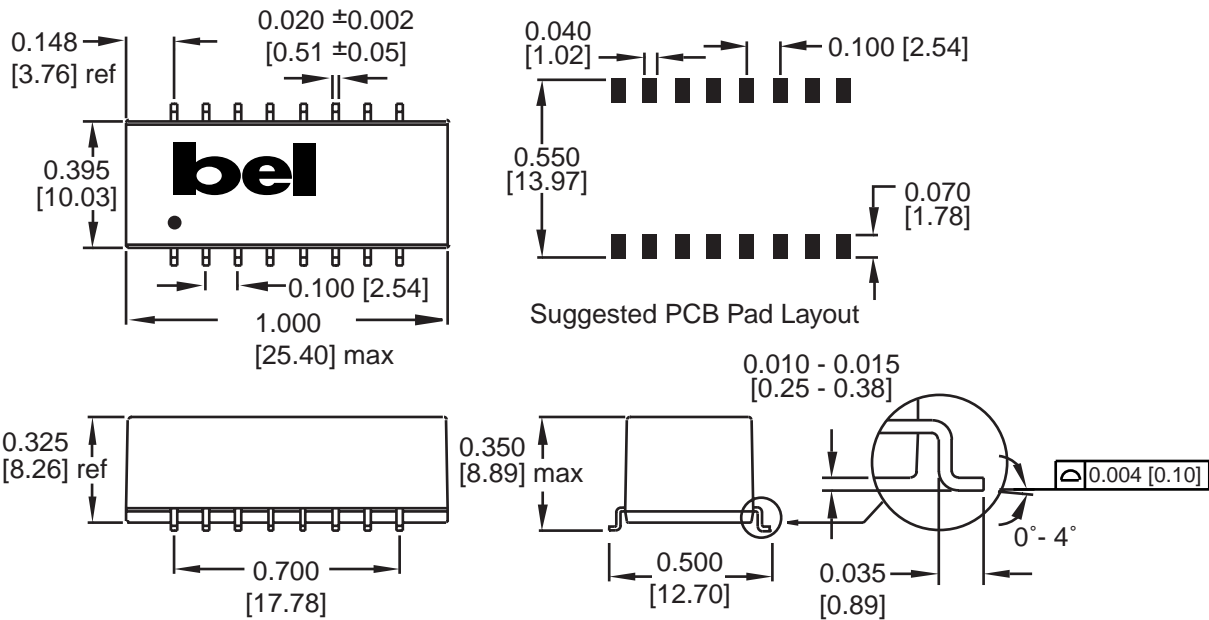


Dimensions are in inches [millimeters].
Standard dimension tolerance is ± 0.005 [0.13] unless otherwise noted.

LM00601

MECHANICALS

S556-5999-51



Dimensions are in inches [millimeters].
Standard dimension tolerance is ± 0.005 [0.13] unless otherwise noted.

©2000 Bel Fuse Inc. Specifications subject to change without notice. 01.00

CORPORATE

Bel Fuse Inc.
198 Van Vorst Street
Jersey City, NJ 07302
Tel 201-432-0463
Fax 201-432-9542
www.belfuse.com

FAR EAST

Bel Fuse Ltd.
8F / 8 Luk Hop Street
San Po Kong
Kowloon, Hong Kong
Tel 852-2328-5515
Fax 852-2352-3706
www.belfuse.com

EUROPE

Bel Fuse Europe Ltd.
Preston Technology Management Centre
Marsh Lane, Suite F23, Preston
Lancashire, PR1 8UD, U.K.
Tel 44-1772-556601
Fax 44-1772-888366
www.belfuse.com