



# Frontier Electronics Corp.

667 E. COCHRAN STREET, SIMI VALLEY, CA 93065

TEL: (805) 522-9998 FAX: (805) 522-9989

E-mail: [frontiersales@frontierusa.com](mailto:frontiersales@frontierusa.com)

Web: <http://www.frontierusa.com>

## 60A SCHOTTKY BARRIER RECTIFIERS

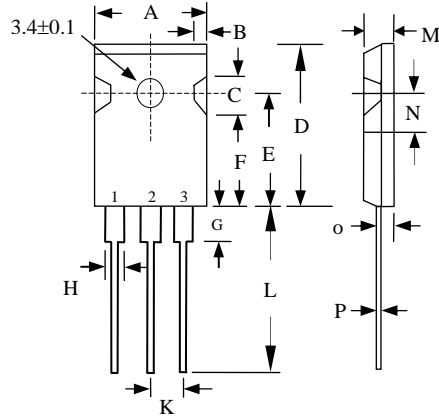
### SR60-03 THRU SR60-06

#### FEATURES

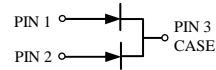
- LOW SWITCHING NOISE
- LOW FORWARD VOLTAGE DROP
- LOW THERMAL RESISTANCE
- HIGH CURRENT CAPABILITY
- HIGH SWITCHING CAPABILITY
- HIGH SURGE CAPABILITY
- HIGH RELIABILITY

#### MECHANICAL DATA

- CASE: MOLDED PLASTIC, TO-3P DIMENSIONS IN INCHES AND (MILLIMETERS)
- EPOXY: UL94V-0R RATE FLAME RETARDANT
- LEAD: MIL-STD-202E METHOD 208C GUARANTEED
- MOUNTING POSITION: ANY
- WEIGHT: 6.4 GRAMS



	MILLIMETERS	
	MIN	MAX
A	-	16.2
B	1.7	2.7
C	5.0	6.0
D	-	22.0
E	14.8	15.2
F	11.7	12.7
G	-	4.5
H	-	2.5
I	-	3.5
J	1.1	1.4
K	5.25	5.65
L	19.0	-
M	4.7	5.3
N	2.8	3.2
O	2.4	2.8
P	0.45	0.85



MAXIMUM RATINGS AND ELECTRICAL CHARACTERISTICS RATINGS AT 25°C AMBIENT TEMPERATURE UNLESS OTHERWISE SPECIFIED SINGLE PHASE, HALF WAVE, 60 HZ, RESISTIVE OR INDUCTIVE LOAD. FOR CAPACITIVE LOAD, DERATE CURRENT BY 20%

RATINGS	SYMBOL	SR60-03	SR60-035	SR60-04	SR60-045	SR60-05	SR60-06	UNITS
MAXIMUM RECURRENT PEAK REVERSE VOLTAGE	$V_{RRM}$	30	35	40	45	50	60	V
MAXIMUM RMS VOLTAGE	$V_{RMS}$	21	24	28	31	35	42	V
MAXIMUM DC BLOCKING VOLTAGE	$V_{DC}$	30	35	40	45	50	60	V
MAXIMUM AVERAGE FORWARD RECTIFIED CURRENT (SEE FIG.1)	$I_O$	60.0						A
PEAK FORWARD SURGE CURRENT, 8.3ms SINGLE HALF SINE-WAVE SUPERIMPOSED ON RATED LOAD	$I_{FSM}$	300						A
STORAGE TEMPERATURE RANGE	$T_{STG}$	- 55 TO + 150						°C
OPERATING TEMPERATURE RANGE	$T_{OP}$	- 55 TO + 125			- 55 TO + 150			°C

#### ELECTRICAL CHARACTERISTICS ( $A_T T_A = 25^\circ\text{C}$ UNLESS OTHERWISE NOTED)

CHARACTERISTICS	SYMBOL	SR60-03	SR60-035	SR60-04	SR60-045	SR60-05	SR60-06	UNITS
MAXIMUM FORWARD VOLTAGE AT 30A DC	$V_F$	0.65				0.75		V
MAXIMUM REVERSE CURRENT AT 25°C	$I_R$	10.0						mA

# RATINGS AND CHARACTERISTIC CURVES SR60-03 THRU SR60-06

FIG. 1 - FORWARD DERATING CURVE

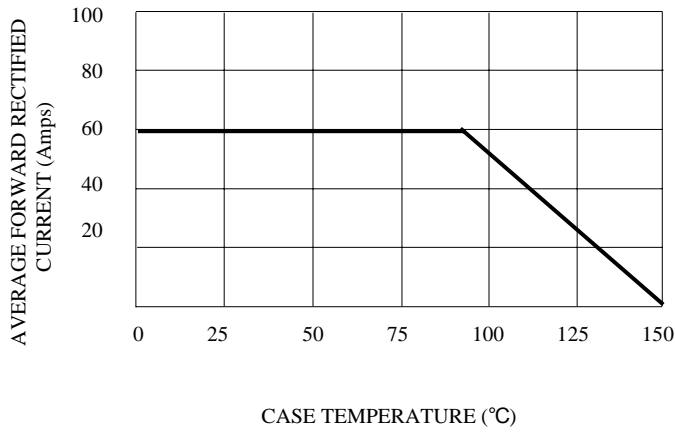


FIG. 2 - PEAK FORWARD SURGE CURRENT

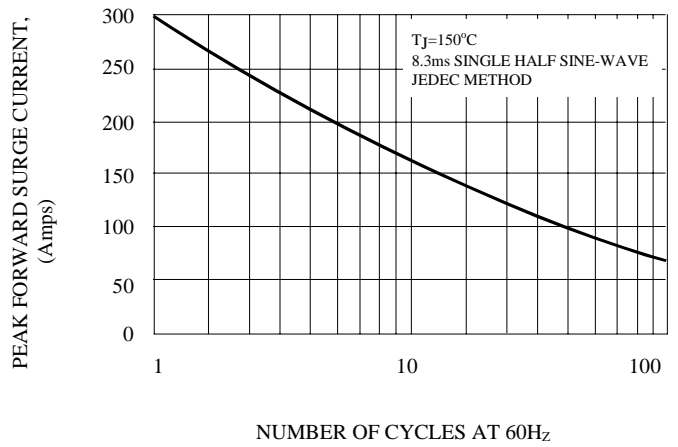


FIG. 3 - TYPICAL REVERSE CHARACTERISTICS

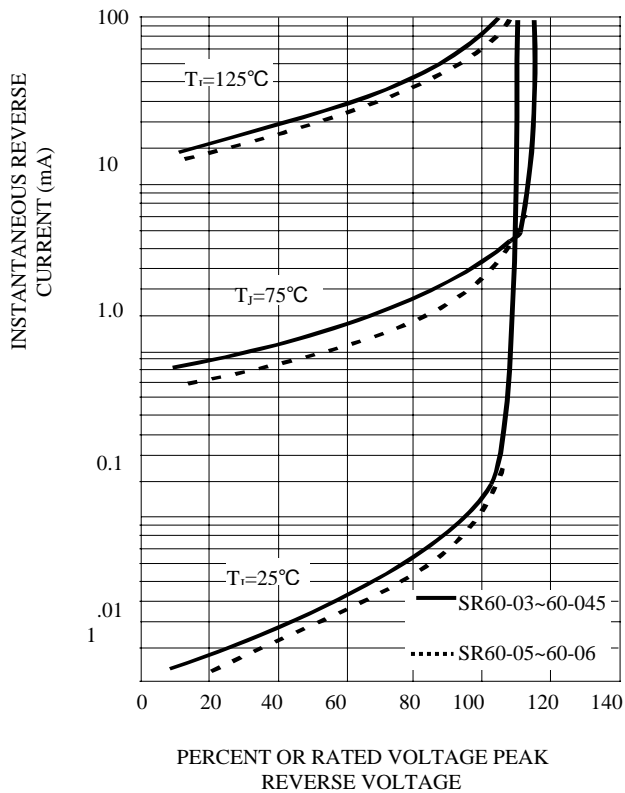


FIG. 4 - TYPICAL FORWARD CHARACTERISTIC

