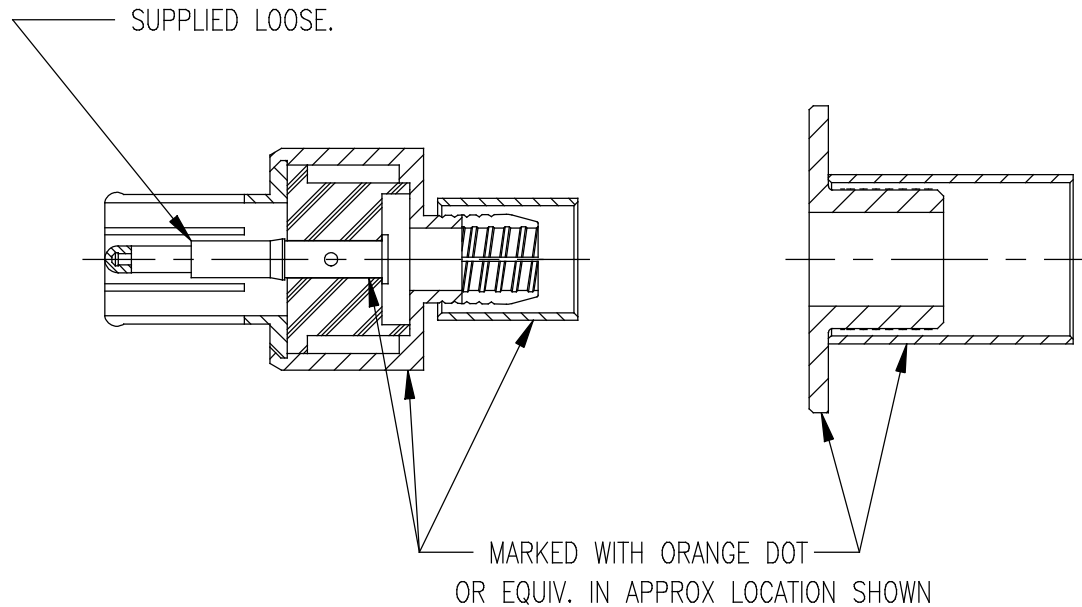


SD



NOTES:

- FOR USE WITH 740 CABLE GROUP (BELDEN 9232, MOHAWK M52479, GEPCO LVT61811 & COMMScope 7825, 7826 CABLE).
- FOR CABLING INSTRUCTIONS SEE 3-651.
- USE CRIMPING TOOL KTH-1000 AND TWO SEPARATE DIES KTH-2041 AND KTH-2248 OR KTH-8000 AND DIE KTH-8002.
- MATERIALS:
 OUTER CONTACT: BER. COPPER, ASTM-B-196.
 INSULATOR: TEFLON, ASTM-D-4894
 K-GRIP SLEEVES: COM BRONZE, ASTM-B-135
 CENTER CONTACT TIP: DELRIN
 ALL OTHER METAL PARTS: BRASS, ASTM-B16
- FINISHES:
 CENTER CONTACT: HARD GOLD PLATE, PER MIL-G-45204
 ALL OTHER METAL PARTS: KINGS TARNISH RESISTANT NICKEL FINISH (TR-5)
- ELECTRICAL CHARACTERISTICS:
 NOMINAL IMPEDANCE: 75 OHMS
 FREQUENCY RANGE: DC-1 GHz

SD

7708-14

REVISIONS

ISSUE CHANGES

ISSUE	CHANGES
0	ER 37375 KH 09/08/97
1	CN 38321 E HVN 06/01/01

SCALE 2:1

APPROX SURFACE AREA

USED ON -

REF:

RETRO-FIT ASSY

DRAWN PG	DATE 04/30/97
DESIGN LJ	DATE 05/05/97
APPR. FDH	DATE 09/08/97

KINGS
 ELECTRONICS CO., INC.
 TUCKAHOE, NEW YORK 10707

7708-14