

PLEASE CHECK WWW.MOLEX.COM FOR LATEST PART INFORMATION

Part Number: [0353280560](#)
Status: **Active**
Description: 7.92mm (.312") Pitch Header, Vertical, Positive Lock, Shrouded, 5 Circuits, White, PA Polyamide (Nylon) 6/6, Glass-filled

Documents:

[3D Model](#) [Product Specification PS-35156-005 \(PDF\)](#)
[Drawing \(PDF\)](#) [RoHS Certificate of Compliance \(PDF\)](#)

Agency Certification

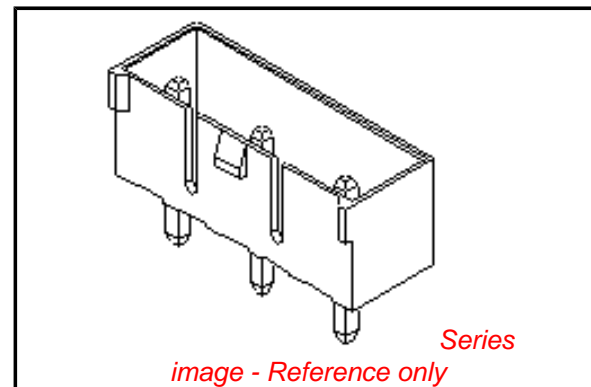
| | |
|-----|-----------|
| CSA | LR19980 |
| TUV | R72081037 |
| UL | E29179 |

General

| | |
|----------------|-----------------------|
| Product Family | PCB Headers |
| Series | 35328 |
| Application | Wire-to-Board |
| Product Name | N/A |

Physical

| | |
|--------------------------------|-----------------|
| Breakaway | No |
| Circuits (Loaded) | 5 |
| Circuits (maximum) | 5 |
| Color - Resin | Natural |
| Durability (mating cycles max) | 30 |
| First Mate / Last Break | No |
| Flammability | 94V-0 |
| Glow-Wire Compliant | No |
| Guide to Mating Part | No |
| Keying to Mating Part | None |
| Lock to Mating Part | Yes |
| Material - Plating Mating | Tin |
| Material - Plating Termination | Tin |
| Material - Resin | Nylon |
| Number of Rows | 1 |
| Orientation | Vertical |
| PC Tail Length (in) | 0.134 In |
| PC Tail Length (mm) | 3.40 mm |
| PCB Locator | No |
| PCB Retention | None |
| PCB Thickness Recommended (in) | 0.062 In |
| PCB Thickness Recommended (mm) | 1.60 mm |
| Packaging Type | Bag |
| Pitch - Mating Interface (in) | 0.312 In |
| Pitch - Mating Interface (mm) | 7.92 mm |
| Plating min: Mating (µin) | 200 |
| Plating min: Mating (µm) | 5 |
| Plating min: Termination (µin) | 200 |
| Plating min: Termination (µm) | 5 |
| Polarized to Mating Part | Yes |
| Polarized to PCB | No |
| Shrouded | Partial |
| Stackable | No |
| Surface Mount Compatible (SMC) | Yes |
| Temperature Range - Operating | -40°C to +105°C |



EU RoHS

ELV and RoHS Compliant
REACH SVHC
 Not Reviewed
Halogen-Free Status

China RoHS



Not Halogen-Free

Need more information on product environmental compliance?

Email productcompliance@molex.com
 For a multiple part number RoHS Certificate of Compliance, [click here](#)

Please visit the [Contact Us](#) section for any non-product compliance questions.

Search Parts in this Series

[35328Series](#)

Mates With

[35156 Wire-to-Board Housing](#)

Termination Interface: Style

Through Hole

Electrical

Current - Maximum per Contact

7A

Voltage - Maximum

250V

Material Info

Reference - Drawing Numbers

Product Specification

PS-35156-005

Sales Drawing

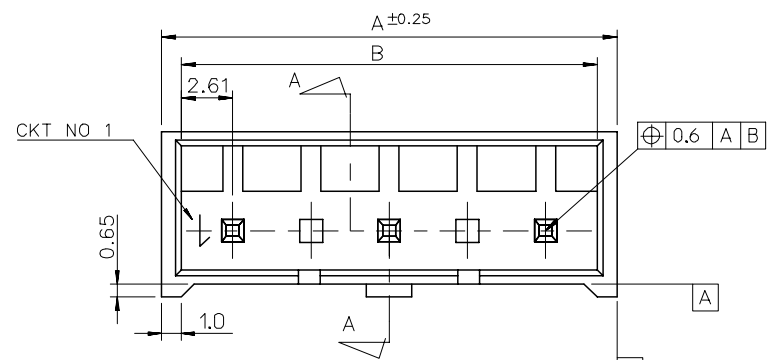
SD-35328-001

This document was generated on 04/15/2010

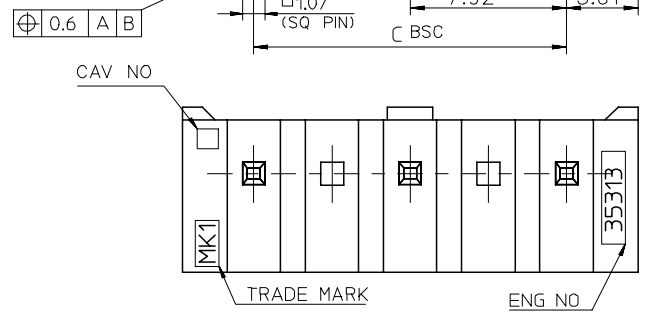
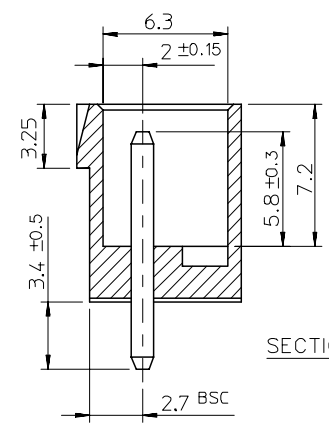
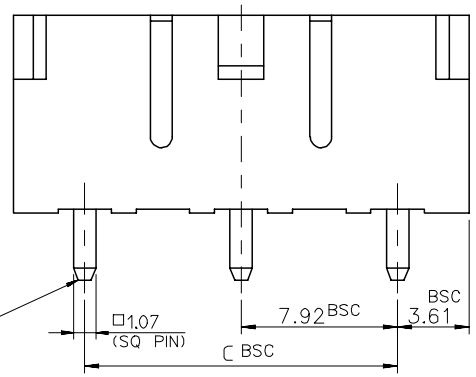
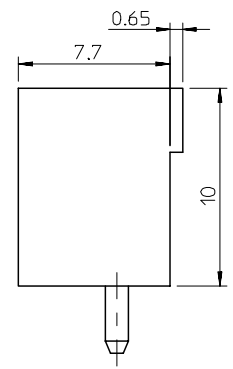
PLEASE CHECK WWW.MOLEX.COM FOR LATEST PART INFORMATION

DWG. NO. SD-35328-001
 SIMILAR ITEM 35328-**-**
 PROJECT NO. 35328-**-**
 DO NOT SCALE DRAWING DIMENSION IN METRIC

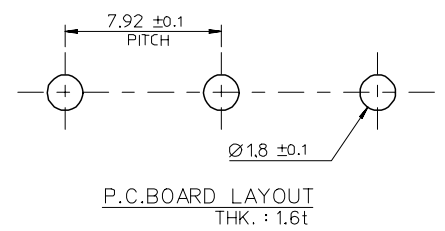
8 7 6 5 4 3 2 1



NOTE
 1. MATERIAL : WAFER : NYLON66, GLASS FILLED 20%
 PIN : BRASS, TIN PLATED
 2. LEGEND
 35328-**-** 6 *
 COLOR : 0 - NATURAL
 1 - BLACK
 2 - RED
 3 - YELLOW
 4 - BLUE
 CKT NO.(02,03,04...)
 3. THIS PRODUCT SHALL BE COMPLIED WITH
 RoHS COMPATIBLE(LEAD FREE SOLDERABILITY)



| | | | | | |
|-------|-------|-------|-----------|------------|---------|
| 39.6 | 44.82 | 46.82 | 35328066* | 35328-066* | 6 |
| 31.68 | 36.9 | 38.9 | 35328056* | -056* | 5 |
| 23.76 | 28.98 | 30.98 | 35328046* | -046* | 4 |
| 15.84 | 21.06 | 23.06 | 35328036* | -036* | 3 |
| 7.92 | 13.14 | 15.14 | 35328026* | 35328-026* | 2 |
| C | B | A | MAT'L NO. | ENG NO. | CKT NO. |



| | | | | | | | | | | |
|--|----------------------------------|---|----|--|--|---------------------------|--|-----------|-----------------------------|-----|
| REVISED EC NO. KOR2006-0105 DRWN: K.SKIM 06/03/23 CHK: K.SKIM APPR: Y.SOOKIM | DESCRIPTION MAJOR CRITICAL | GENERAL TOLERANCES: (UNLESS SPECIFIED) | | SCALE 3.5-1 | DESIGN UNITS <input checked="" type="checkbox"/> MM <input type="checkbox"/> INCH | THIRD ANGLE PROJECTION | DIMENSIONS: <input type="checkbox"/> MM <input type="checkbox"/> INCH <input checked="" type="checkbox"/> MM ONLY | | SHT | REV |
| | | 4 PLACES ±0. | ±. | DRAWN BY & DATE K.S.KIM (041228) | TITLE: 7.92 PITCH W/B CONN. WAFER ASS'Y (WITH LOCK) | | | | REVISE ON CAD ONLY | |
| C | REV | 3 PLACES ±0. | ±. | CHECKED BY & DATE Y.SOO.KIM | APPROVED BY & DATE S.H.CHOI | | | | MATERIAL NO. SEE TABLE | |
| | | 2 PLACES ±0.2 | ±. | APPROVED BY & DATE S.H.CHOI | DRAWING NO. SD-35328-001 | | | | SHEET NO. 1 OF 1 | |
| | | 1 PLACE ±0.2 | ±. | CAD FILENAME SD-35328-001 | MATERIAL NO. SEE TABLE | | | | DRAWING NO. SD-35328-001 | |
| | | ANGULAR: ± 2 ° | | THIS DRAWING CONTAINS INFORMATION THAT IS PROPRIETARY TO MOLEX INCORPORATED AND SHOULD NOT BE USED WITHOUT WRITTEN PERMISSION. | | | | SIZE B | | |

8 7 6 5 4 3 2 1 MX-A3