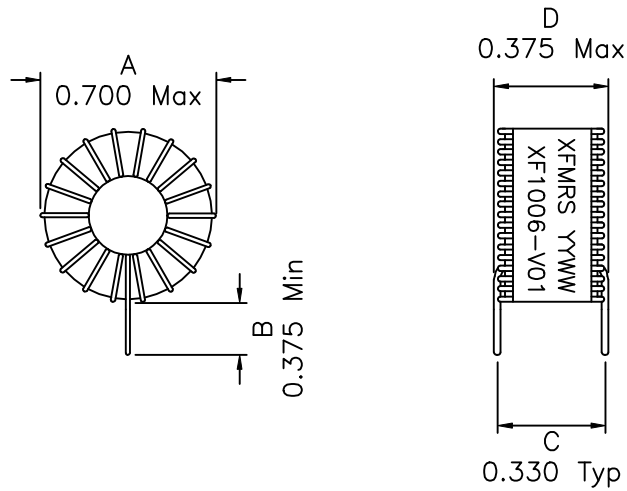


1. Mechanical Dimensions:

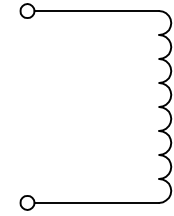


Lead Dia.: 0.017

Notes:

1. Solderability: Leads shall meet MIL-STD-202, Method 208D for solderability.
2. Flammability: UL94V-0
3. ASTM oxygen index: > 28%
4. Insulation System: Class F 155°C. UL file E151556
5. Operating Temperature Range: All listed parameters are to be within tolerance from -55°C to +105°C
6. Storage Temperature Range: -65°C to +105°C
7. Aqueous wash compatible

2. Schematic:



3. Electrical Specifications:

Inductance: 100uH±15% @1KHz, 250mV
 Rated Current: 1.75Adc (Based on a 10% OCL Drop)
 Q: 22 Min @100KHz, 0.1Vrms
 Peak Voltage: 100V
 Peak Current: 5A
 DCR: 0.200 Ohms Max

DOC. REV. A/1

XFMRS Inc.	Title: VERTICAL INDUCTOR			
	UNLESS OTHERWISE SPECIFIED	P/N: XF1006-VO1	REV. A	
TOLERANCES: .xxx ±0.010	DWN.	廖玉坤	Nov-11-02	
Dimensions in Inch	CHK.	李清儿	Nov-11-02	
SHEET 1 OF 1	APP.	BW	Nov-11-02	