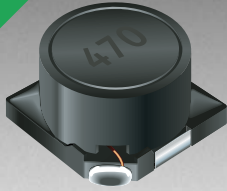


*RoHS COMPLIANT



BOURNS®

Features

- Available in E6 values
- Current rating to 2.0 amps
- Lead free
- RoHS compliant*

Applications

- Input/output of DC/DC converters
- Power supplies for:
 - Portable communication equipment
 - Camcorders
 - LCD TVs
 - Car radios

SRR7045 Series - Shielded SMD Power Inductors

Electrical Specifications

Bourns Part No.	Inductance 100 kHz		Q Typ.	Test Frequency (MHz)	SRF Min. (MHz)	RDC Max. (Ω)	I rms Max. (A)	I sat Typ. (A)
	(μH)	ToI. %						
SRR7045-100M	10	± 20	30	2.52	25	0.042	2.00	1.70
SRR7045-150M	15	± 20	31	2.52	24	0.062	1.60	1.35
SRR7045-220M	22	± 20	26	2.52	18	0.082	1.35	1.10
SRR7045-330M	33	± 20	25	2.52	12	0.115	1.15	0.90
SRR7045-470M	47	± 20	29	2.52	11	0.150	0.95	0.78
SRR7045-680M	68	± 20	22	2.52	10	0.210	0.77	0.60
SRR7045-820M	82	± 20	22	2.52	9	0.280	0.70	0.60
SRR7045-101M	100	± 20	40	0.796	8	0.300	0.65	0.50
SRR7045-151M	150	± 20	51	0.796	7	0.480	0.53	0.41
SRR7045-181M	180	± 20	40	0.796	6	0.660	0.48	0.38
SRR7045-221M	220	± 20	44	0.796	5	0.700	0.45	0.36
SRR7045-331M	330	± 20	65	0.796	4	0.730	0.40	0.25
SRR7045-471M	470	± 20	80	0.796	3	1.100	0.32	0.22
SRR7045-681M	680	± 20	65	0.796	3	1.600	0.27	0.20
SRR7045-102M	1000	± 20	90	0.252	3	2.400	0.25	0.15

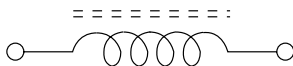
General Specifications

Test Voltage.....0.5 V
 Reflow Soldering ...230 °C, 50 sec. max.
 Operating Temperature -40 °C to +125 °C
 (Temperature rise included)
 Storage Temperature...-40 °C to +125 °C
 Resistance to Soldering Heat
260 °C for 10 sec.

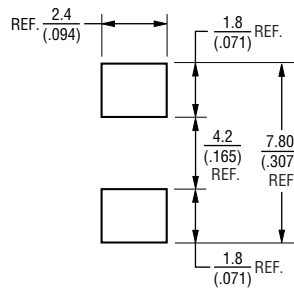
Materials

CoreFerrite DR and RI
 WireEnameled copper wire 130
 Terminal.....Cu/Ni/Sn
 Rated Current
Ind. drop 10 % typ. at Isat
 (-100M through -221M)
Ind. drop 25 % typ. at Isat
 (-331M through -102M)
 Temperature Rise30 °C max.
 at rated Irms
 Packaging1000 pcs. per reel

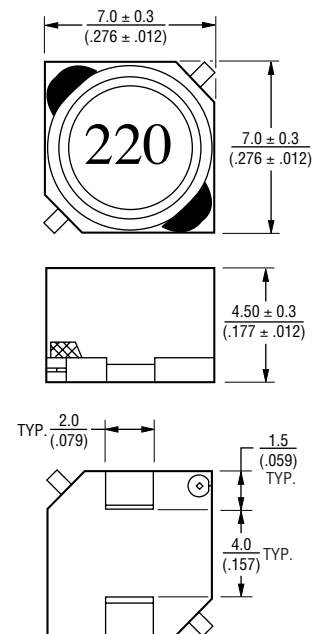
Electrical Schematic



Recommended Layout



Product Dimensions



DIMENSIONS: $\frac{\text{MM}}{\text{(INCHES)}}$

*RoHS Directive 2002/95/EC Jan 27 2003 including Annex
 Specifications are subject to change without notice.
 Customers should verify actual device performance in their specific applications.

Copyright © Each Manufacturing Company.

All Datasheets cannot be modified without permission.

This datasheet has been download from :

www.AllDataSheet.com

100% Free DataSheet Search Site.

Free Download.

No Register.

Fast Search System.

www.AllDataSheet.com