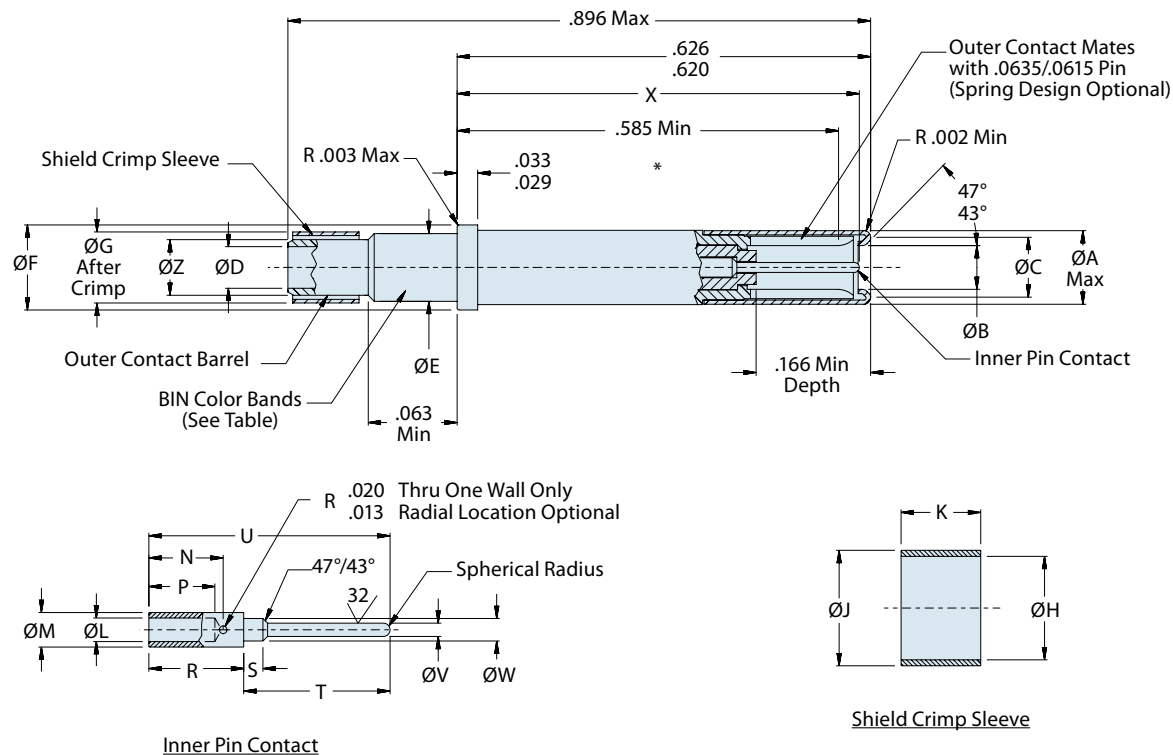


D38999
 Ser. I, III, IV

Size #16 Coaxial Socket Contacts for MIL-DTL-38999 Series I, III and IV Connectors


These #16 socket contacts accept 50 ohm and 75 ohm coaxial cable. Inner contact is rated at 1 amp, the outer contact 12 amps. DWV rating is 800 Vac rms sea level, 250 Vac at 50,000 feet. Contacts are packaged individually and are unassembled with instruction sheet. One contact consists of outer contact, fluorocarbon dielectric, inner contact and shield crimp sleeve. Inner and outer contacts are gold-plated copper alloy. Approved to SAE AS39029. VSWR rating 1.5:1 maximum up to 700 MHz. 5000 megohm insulation resistance. Mates with: M39029/76.


Material and Finish

Contact Body: Copper Alloy/Gold Plated
 Hood: Stainless Steel/Passivated
 Center Contact: Copper Alloy/Gold Plated
 Crimp Sleeve: Copper Alloy/Gold Plated
 Insulator: Teflon

* Indicates point at which a square ended pin of the same basic diameter as the mating contact first engages the outer contact spring

M39029/77
852-009
Size 16 Coaxial Socket



| Type | Cable Accommodation | Part Number | Military Part Number | Color Band | | |
|--------|-------------------------------------------------------------------------------------------------------------------------------------------|-----------------------|----------------------|------------|--------|-------|
| | | | | 1st | 2nd | 3rd |
| Socket | M17/119-RG174, M17/113-RG316, M17/094-RG179, Times AA3248, Teledyne 11299, Haveg 8100207, Thermax 75-738-BCCWXE, Tensolite 30888/L707YX-1 | 852-009-16-428 | M39029/77-428 | Yellow | Red | Gray |
| | M17/093-RG178 | 852-009-16-429 | M39029/77-429 | Yellow | Red | White |
| | Haveg 61-02051, Revere WH95623 | 852-009-16-430 | M39029/77-430 | Yellow | Orange | Black |
| | Haveg 30-00761, Haveg 30-02024, Haveg 30-02033, Tensolite 24713/A955KK1, Tensolite 26723/A955KK1 | 852-009-16-431 | M39029/77-431 | Yellow | Orange | Brown |

| BIN Code | ØA Max | ØB | ØC | ØD Min | ØE | ØF | ØG Max | ØH Min | ØJ Max | K | ØL Min |
|----------|------------|----------------------------|--------------------------|-----------------|----------------------------|--------------------------|---------------|---------------|---------------|--------------------------|----------------|
| 428 | .113 (2.9) | .068 (1.73) .065 (1.65) | .089 (2.3) .084 (2.1) | .670 (17.0) | .103 (2.62) .101 (2.57) | .130 (3.3) .127 (3.2) | .108 (2.7) | .105 (2.7) | .120 (3.0) | .105 (2.7) .095 (2.4) | .0210 (0.5) |
| 429 | .113 (2.9) | .068 (1.73) .065 (1.65) | .089 (2.3) .084 (2.1) | 0.575 (14.6) | .103 (2.62) .101 (2.57) | .130 (3.3) .127 (3.2) | .108 (2.7) | .094 (2.4) | .120 (3.0) | .105 (2.7) .095 (2.4) | .0210 (0.5) |
| 430 | .113 (2.9) | .068 (1.73) .065 (1.65) | .089 (2.3) .084 (2.1) | .670 (17.0) | .103 (2.62) .101 (2.57) | .130 (3.3) .127 (3.2) | .108 (2.7) | .105 (2.7) | .120 (3.0) | .105 (2.7) .095 (2.4) | .0355 (0.9) |
| 431 | .113 (2.9) | .068 (1.73) .065 (1.65) | .089 (2.3) .084 (2.1) | 0.575 (14.6) | .103 (2.62) .101 (2.57) | .130 (3.3) .127 (3.2) | .108 (2.7) | .094 (2.4) | .120 (3.0) | .105 (2.7) .095 (2.4) | .0270 (0.7) |

| BIN Code | ØM Max | N Min | P | R | S | T | U Ref | ØV | ØW | X | ØZ Max |
|----------|----------------|---------------|--------------------------|--------------------------|--------------------------|----------------------------|----------------|----------------------------|--------------------------|----------------------------|---------------|
| 428 | .046 (1.2) | .103 (2.6) | .094 (2.4) .087 (2.2) | .125 (3.2) .119 (3.0) | .079 (2.0) .073 (1.9) | .269 (6.83) .266 (6.76) | .3895 (9.9) | .0155 (.39) .0145 (.37) | .030 (0.8) .028 (0.7) | .611 (15.5) .601 (15.3) | .085 (2.2) |
| 429 | .046 (1.2) | .103 (2.6) | .094 (2.4) .087 (2.2) | .125 (3.2) .119 (3.0) | .079 (2.0) .073 (1.9) | .269 (6.83) .266 (6.76) | .3895 (9.9) | .0155 (.39) .0145 (.37) | .030 (0.8) .028 (0.7) | .611 (15.5) .601 (15.3) | .076 (1.9) |
| 430 | 0.052 (1.3) | .103 (2.6) | .094 (2.4) .087 (2.2) | .125 (3.2) .119 (3.0) | .079 (2.0) .073 (1.9) | .269 (6.83) .266 (6.76) | .3895 (9.9) | .0155 (.39) .0145 (.37) | .030 (0.8) .028 (0.7) | .611 (15.5) .601 (15.3) | .085 (2.2) |
| 431 | .046 (1.2) | .103 (2.6) | .094 (2.4) .087 (2.2) | .125 (3.2) .119 (3.0) | .079 (2.0) .073 (1.9) | .269 (6.83) .266 (6.76) | .3895 (9.9) | .0155 (.39) .0145 (.37) | .030 (0.8) .028 (0.7) | .611 (15.5) .601 (15.3) | .076 (1.9) |

| Inner Contact | | Outer Contact | | Insertion Tool | Extraction Tool |
|---------------------|-------------|---------------------|-------------|--------------------------------|--------------------------------|
| Basic Crimping Tool | Positioner | Basic Crimping Tool | Positioner | | |
| M22520/2-01 | M22520/2-35 | M22520/4-01 | M22520/4-02 | M81969/8-07 or M81969/14-03 | M81969/8-08 or M81969/14-03 |