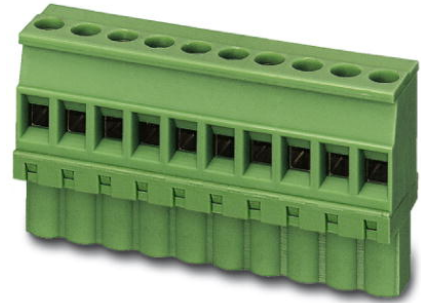


## MVSTBW 2,5/ 5-ST-5,08

Order No.: 1792786



<http://eshop.phoenixcontact.de/phoenix/treeViewClick.do?UID=1792786>

Plug component, Nominal current: 12 A, Nom. voltage: 250 V, Pitch:  
5.08 mm, Number of positions: 5, Connection type: Screw connection,  
Color: green

### Commercial data

|                          |                    |
|--------------------------|--------------------|
| EAN                      | 4017918045210      |
| Pack                     | 50 pcs.            |
| Customs tariff           | 85366990           |
| Weight/Piece             | 0.01082 KG         |
| Catalog page information | Page 203 (CC-2009) |

### Product notes

WEEE/RoHS-compliant since:  
01/01/2003



<http://www.download.phoenixcontact.com>  
Please note that the data given here has been taken from the online catalog. For comprehensive information and data, please refer to the user documentation. The General Terms and Conditions of Use apply to Internet downloads.

### Technical data

#### Dimensions / positions

|                     |          |
|---------------------|----------|
| Pitch               | 5.08 mm  |
| Dimension a         | 20.32 mm |
| Number of positions | 5        |
| Screw thread        | M3       |

|                        |        |
|------------------------|--------|
| Tightening torque, min | 0.5 Nm |
| Tightening torque max  | 0.6 Nm |

**Technical data**

|                                    |                     |
|------------------------------------|---------------------|
| Insulating material group          | I                   |
| Rated surge voltage (III/3)        | 4 kV                |
| Rated surge voltage (III/2)        | 4 kV                |
| Rated surge voltage (II/2)         | 4 kV                |
| Rated voltage (III/2)              | 320 V               |
| Rated voltage (II/2)               | 630 V               |
| Connection in acc. with standard   | EN-VDE              |
| Nominal current $I_N$              | 12 A                |
| Nominal voltage $U_N$              | 250 V               |
| Nominal cross section              | 2.5 mm <sup>2</sup> |
| Maximum load current               | 12 A                |
| Insulating material                | PA                  |
| Inflammability class acc. to UL 94 | V0                  |
| Internal cylindrical gage          | A3                  |
| Stripping length                   | 7 mm                |

**Connection data**

|  |                      |
|--|----------------------|
| Conductor cross section solid min.   | 0.2 mm <sup>2</sup>  |
| Conductor cross section solid max.   | 2.5 mm <sup>2</sup>  |
| Conductor cross section stranded min.                                      | 0.2 mm <sup>2</sup>  |
| Conductor cross section stranded max.                                      | 2.5 mm <sup>2</sup>  |
| Conductor cross section stranded, with ferrule without plastic sleeve min. | 0.25 mm <sup>2</sup> |
| Conductor cross section stranded, with ferrule without plastic sleeve max. | 2.5 mm <sup>2</sup>  |
| Conductor cross section stranded, with ferrule with plastic sleeve min.    | 0.25 mm <sup>2</sup> |
| Conductor cross section stranded, with ferrule with plastic sleeve max.    | 2.5 mm <sup>2</sup>  |
| Conductor cross section AWG/kcmil min.                                     | 24                   |
| Conductor cross section AWG/kcmil max                                      | 12                   |
| 2 conductors with same cross section, solid min.                           | 0.2 mm <sup>2</sup>  |
| 2 conductors with same cross section, solid max.                           | 1 mm <sup>2</sup>    |

|   |                      |
|---|----------------------|
| 2 conductors with same cross section, stranded min.                                     | 0.2 mm <sup>2</sup>  |
| 2 conductors with same cross section, stranded max.                                     | 1.5 mm <sup>2</sup>  |
| 2 conductors with same cross section, stranded, ferrules without plastic sleeve, min.   | 0.25 mm <sup>2</sup> |
| 2 conductors with same cross section, stranded, ferrules without plastic sleeve, max.   | 1 mm <sup>2</sup>    |
| 2 conductors with same cross section, stranded, TWIN ferrules with plastic sleeve, min. | 0.5 mm <sup>2</sup>  |
| 2 conductors with same cross section, stranded, TWIN ferrules with plastic sleeve, max. | 1.5 mm <sup>2</sup>  |

### Certificates / Approvals



Certification

CB, CSA, CUL, GOST, UL, VDE-PZI

#### CSA

|                       |       |
|-----------------------|-------|
| Nominal voltage $U_N$ | 300 V |
| Nominal current $I_N$ | 10 A  |
| AWG/kcmil             | 28-12 |

#### CUL

|                       |       |
|-----------------------|-------|
| Nominal voltage $U_N$ | 300 V |
| Nominal current $I_N$ | 10 A  |
| AWG/kcmil             | 30-12 |

#### UL

|                       |       |
|-----------------------|-------|
| Nominal voltage $U_N$ | 300 V |
| Nominal current $I_N$ | 10 A  |
| AWG/kcmil             | 30-12 |

**Accessories**

| Item           | Designation              | Description   |
|----------------|--------------------------|---|
| <b>Marking</b> |                          |   |
| 1051993        | B-STIFT                  | Marker pen, for manual labeling of unprinted Zack strips, smear-proof and waterproof, line thickness 0.5 mm   |
| 0804293        | SK 5,08/3,8:FORTL.ZAHLEN | Marker card, printed horizontally, self-adhesive, 12 identical decades marked 1-10, 11-20 etc. up to 91-(99)100, sufficient for 120 terminal blocks |
| 0805412        | SK 5,08/3,8:UNBEDRUCKT   | Marker cards, unprinted, with pitch divisions, self-adhesive, 10-section marker strips, 12 strips per card, can be labeled with the M-PEN           |

**Plug/Adapter**

|         |         |  |
|---------|---------|--|
| 1734634 | CP-MSTB | Keying profile, is inserted into the slot on the plug or inverted header, red insulating material    |
| 1734401 | CR-MSTB | Coding section, inserted into the recess in the header or the inverted plug, red insulating material |

**Tools**

|         |             |  |
|---------|-------------|--|
| 1205053 | SZS 0,6X3,5 | Screwdriver, bladed, matches all screw terminal blocks up to 4.0 mm <sup>2</sup> connection cross section, blade: 0.6 x 3.5 mm, without VDE approval |
|---------|-------------|--|

**Additional products**

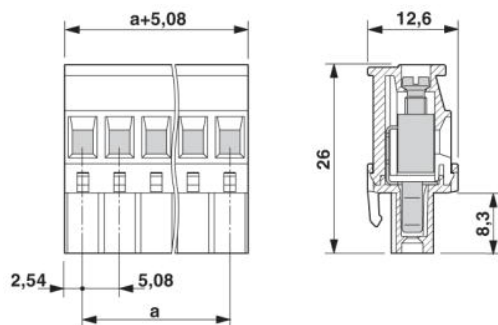
| Item           | Designation              | Description  |
|----------------|--------------------------|--|
| <b>General</b> |                          |  |
| 1899168        | DFK-MSTBVA 2,5/ 5-G-5,08 | Header, Nominal current: 12 A, Nom. voltage: 250 V, Nom. voltage: 250 V, Pitch: 5.08 mm, Number of positions: 5, Color: green, Assembly: Soldering   |
| 1880339        | EMSTBA 2,5/ 5-G-5,08     | Header, Nominal current: 12 A, Nom. voltage: 250 V, Pitch: 5.08 mm, Number of positions: 5, Color: green, Assembly: Press-in                         |
| 1859548        | EMSTBVA 2,5/ 5-G-5,08    | Header, Nominal current: 12 A, Nom. voltage: 200 V, Pitch: 5.08 mm, Number of positions: 5, Color: green, Assembly: Press-in                         |
| 1873388        | FKIC 2,5/ 5-ST-5,08      | Plug component, Nominal current: 12 A, Nom. voltage: 320 V, Pitch: 5.08 mm, Number of positions: 5, Connection type: Spring-cage conn., Color: green |
| 1823875        | ICC 2,5/ 5-STZ-5,08      | Plug component, Nominal current: 12 A, Nom. voltage: 250 V, Pitch: 5.08 mm, Number of positions: 5, Connection type: Crimp connection, Color: green  |
| 1842092        | MDSTBA 2,5/ 5-G-5,08     | Header, Nominal current: 10 A, Nom. voltage: 250 V, Pitch: 5.08 mm, Number of positions: 5, Color: green, Assembly: Soldering                        |

|         |                          |  |
|---------|--------------------------|--|
| 1845361 | MDSTBVA 2,5/ 5-G-5,08    | Header, Nominal current: 10 A, Nom. voltage: 250 V, Pitch: 5.08 mm, Number of positions: 5, Color: green, Assembly: Soldering  |
| 1759046 | MSTB 2,5/ 5-G-5,08       | Header, Nominal current: 12 A, Nom. voltage: 250 V, Pitch: 5.08 mm, Number of positions: 5, Color: green, Assembly: Soldering  |
| 1770740 | MSTB 2,5/ 5-G-5,08-LA    | Header, Nominal current: 12 A, Nom. voltage: 250 V, Pitch: 5.08 mm, Number of positions: 5, Assembly: Soldering  |
| 1757271 | MSTBA 2,5/ 5-G-5,08      | Header, Nominal current: 12 A, Nom. voltage: 250 V, Pitch: 5.08 mm, Number of positions: 5, Color: green, Assembly: Soldering  |
| 1902770 | MSTBA 2,5/ 5-G-5,08 THT  | Header, Nominal current: 12 A, Nom. voltage: 250 V, Pitch: 5.08 mm, Number of positions: 5, Color: black, Assembly: SMD/THT/THR  |
| 1770973 | MSTBA 2,5/ 5-G-5,08-LA   | Header, Nominal current: 12 A, Nom. voltage: 250 V, Pitch: 5.08 mm, Number of positions: 5, Assembly: Soldering  |
| 1902848 | MSTBVA 2,5/ 5-G-5,08 THT | Header, Nominal current: 12 A, Nom. voltage: 250 V, Pitch: 5.08 mm, Number of positions: 5, Color: black, Assembly: SMD/THT/THR  |
| 1788758 | MSTBVK 2,5/ 5-G-5,08     | Plug component, Nominal current: 12 A, Nom. voltage: 320 V, Pitch: 5.08 mm, Number of positions: 5, Connection type: Screw connection, Assembly: DIN rail, Color: green  |
| 1788567 | MVSTBU 2,5/ 5-GB-5,08    | Plug component, Nominal current: 12 A, Nom. voltage: 320 V, Pitch: 5.08 mm, Number of positions: 5, Connection type: Screw connection, Assembly: Direct mounting, Color: green   |
| 1769492 | SMSTB 2,5/ 5-G-5,08      | Header, Nominal current: 12 A, Nom. voltage: 250 V, Pitch: 5.08 mm, Number of positions: 5, Color: green, Assembly: Soldering  |
| 1767407 | SMSTBA 2,5/ 5-G-5,08     | Header, Nominal current: 12 A, Nom. voltage: 250 V, Pitch: 5.08 mm, Number of positions: 5, Color: green, Assembly: Soldering  |
| 3002076 | UK 3-MVSTB-5,08          | Feed-through modular terminal block, Nominal current: 12 A, Nominal voltage: 250 V, Cross section: 0.2 mm <sup>2</sup> - 4 mm <sup>2</sup> , AWG: 24 - 12, Mounting type: NS 32, NS 35/15, NS 35/7,5, Pitch: 5.08 mm, Width: 5.1, Color: gray                    |
| 3002102 | UK 3-MVSTB-5,08-LA 24RD  | Feed-through modular terminal block, Nominal current: 12 A, Nominal voltage: 250 V, Cross section: 0.2 mm <sup>2</sup> - 4 mm <sup>2</sup> , AWG: 24 - 12, Mounting type: NS 32, NS 35/15, NS 35/7,5, Pitch: 5.08 mm, Width: 5.08, Color: gray                   |
| 3002063 | UK 3-MVSTB-5,08/EK       | Feed-through modular terminal block, Nominal current: 12 A, Nominal voltage: 250 V, Cross section: 0.2 mm <sup>2</sup> - 4 mm <sup>2</sup> , AWG: 24 - 12, Mounting type: NS 35/7,5, NS 35/15, NS 32, Pitch: 5.08 mm, Width: 5.1, Color: blue                    |
| 3002131 | UK 3D-MSTBV-5,08         | Feed-through modular terminal block, Type of connection: Special and hybrid connection, Screw connection, Cross section: 0.2 mm <sup>2</sup> - 4 mm <sup>2</sup> , AWG 24 - 12, Width: 5.08 mm, Color: gray, Mounting type: NS 32, NS 35/15, NS 35/7,5           |
| 3002144 | UK 3D-MSTBV-5,08-LA 24RD | Feed-through modular terminal block, Type of connection: Screw connection, Screw connection, Number of positions: 1, Cross section: 0.2 mm <sup>2</sup> - 4 mm <sup>2</sup> , AWG 24 - 12, Width: 5.1 mm, Color: gray, Mounting type: NS 32, NS 35/15, NS 35/7,5 |

|         |                       |  |
|---------|-----------------------|--|
| 3002173 | UK 3D-MSTBV-5,08/EK   | Feed-through modular terminal block, Type of connection: Screw connection, Screw connection, Cross section: 0.2 mm <sup>2</sup> - 4 mm <sup>2</sup> , AWG 24 - 12, Width: 5.1 mm, Color: blue, Mounting type: NS 32, NS 35/15, NS 35/7,5 |
| 1788143 | UMSTBVK 2,5/ 5-G-5,08 | Plug component, Nominal current: 12 A, Nom. voltage: 320 V, Pitch: 5.08 mm, Number of positions: 5, Connection type: Screw connection, Assembly: DIN rail, Color: green  |

## Diagrams/Drawings

Dimensioned drawing



**Address**

PHOENIX CONTACT Inc., USA  
586 Fulling Mill Road  
Middletown, PA 17057, USA  
Phone (800) 888-7388  
Fax (717) 944-1625  
<http://www.phoenixcon.com>



© 2010 Phoenix Contact  
Technical modifications reserved;